

EN Operating and safety instructions

DE Bedienungs- und Sicherheitshinweise

Language table

EN User manual 7

DE Benutzerhandbuch 10

1

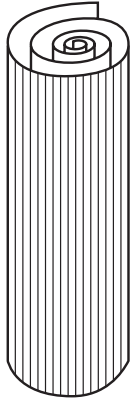


2



3

1



2



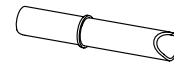
7



8



9



10



11



12



13

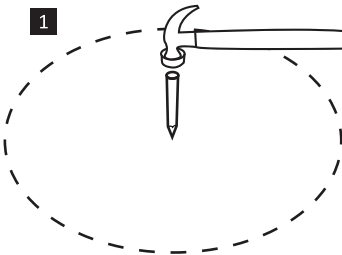


14

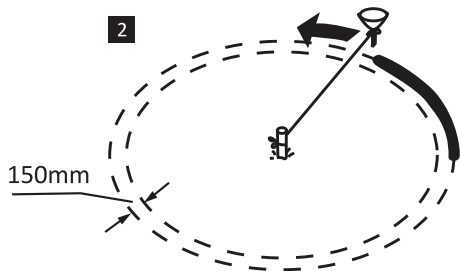


4

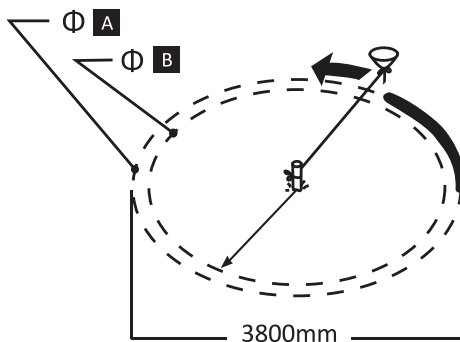
1



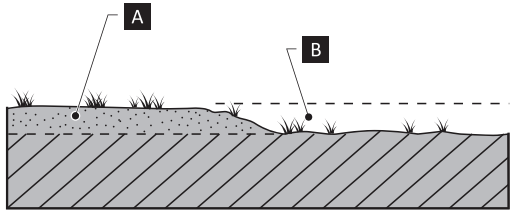
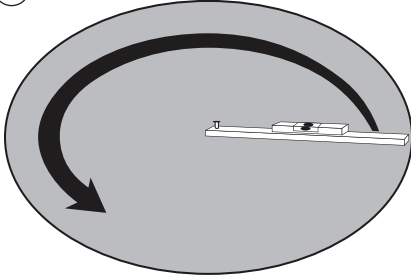
2



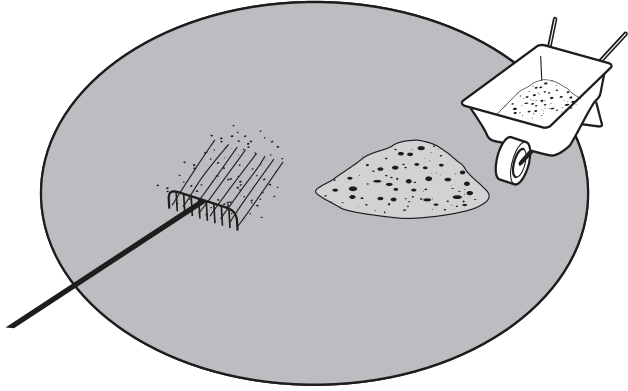
3



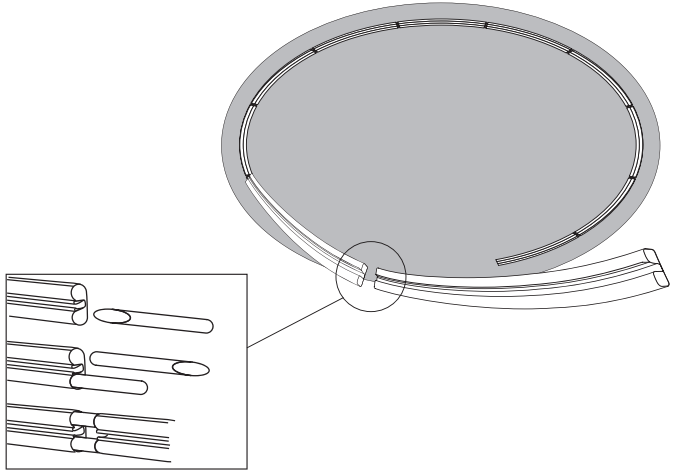
5



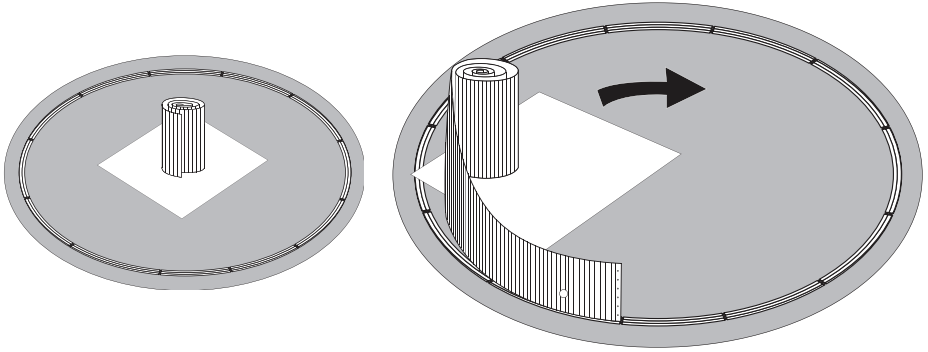
6



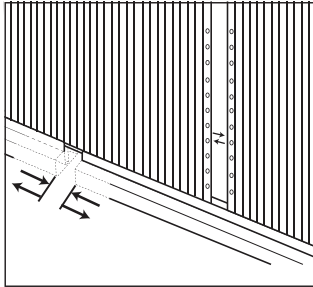
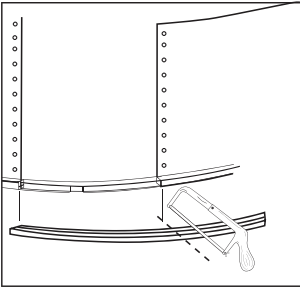
7



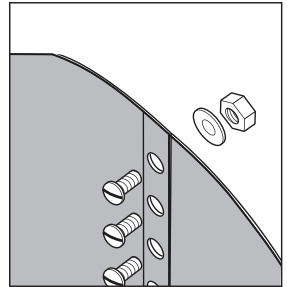
8



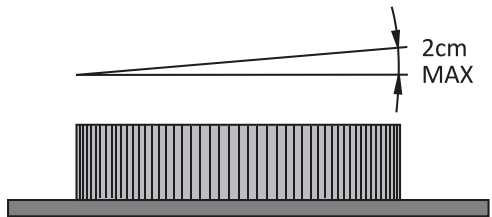
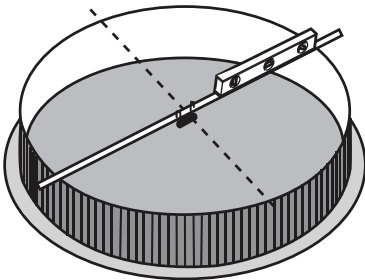
9



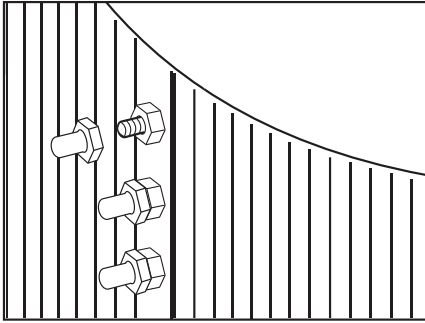
10



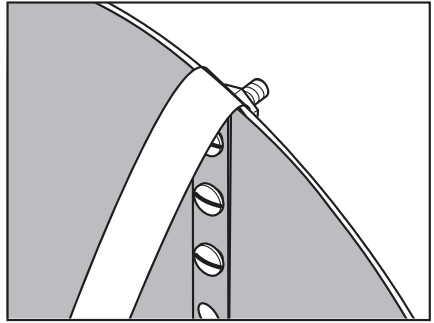
11



12

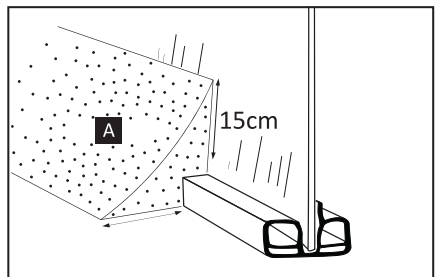
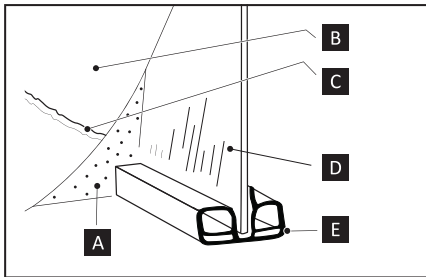


A

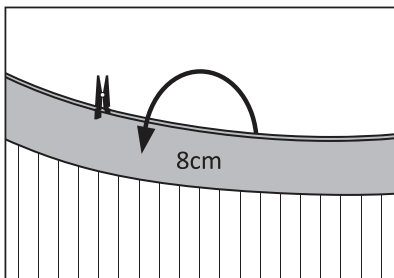


B

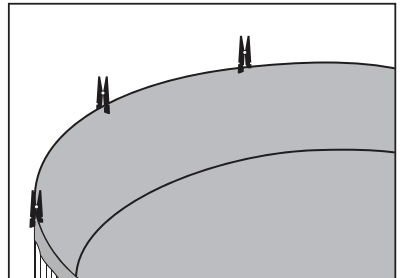
13



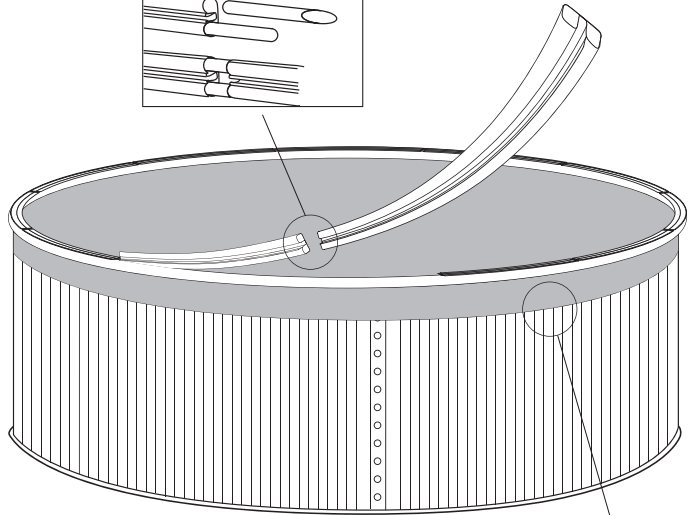
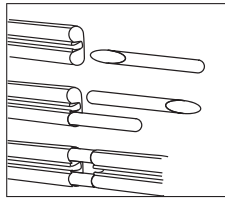
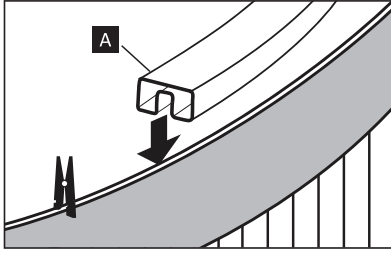
14



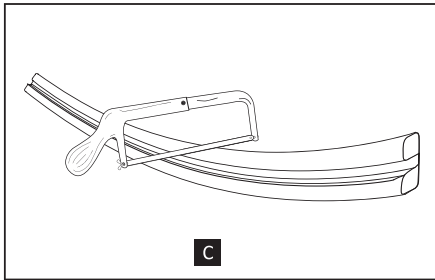
15



16

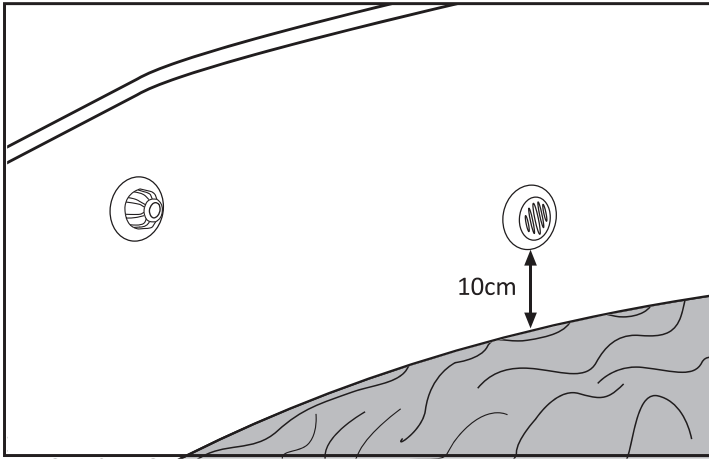


B

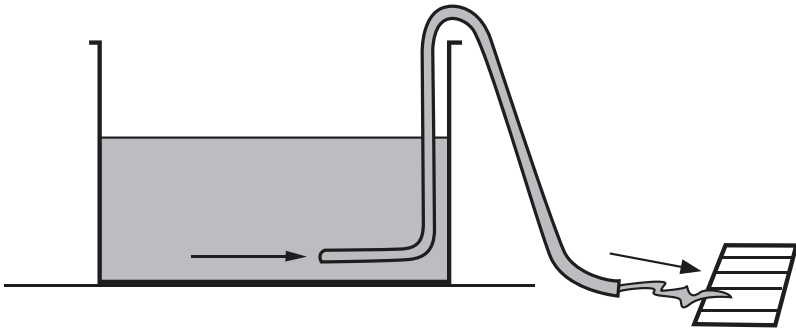


C

17



18



1 Warnings and personal safety

⚠ Important: Read the manual carefully before installation. Keep the manual for future reference.

1.1 Safety Warnings

⚠ Warning

To prevent the risk of serious injury or possible death, please follow these rules without fail:

Important safety instructions

The following instructions contain important safety information. We strongly encourage you to read the safety instructions and follow them when using the pool. While installing and using this equipment, basic safety precautions must always be followed.

Instructions

See image 1

⚠ Warning! Children may drown in portable swimming pools due to negligence. Adult supervision is required at all times. Do not leave children unsupervised in or around the pool. Pool fencing laws apply to this pool. Consult your local government authority for fencing requirements.

Do not select an area growing with grass and weeds. Grass can penetrate the pool liner and void warranty.

Read and follow all instructions.

- Note: Please examine the equipment before use. If there are any damaged or missing parts at the time of purchase. Do not assemble or operate until parts are replaced.
- Warning! Consult your local council, state government or water authority in regards to the use of water and/or water restrictions relating to this product.
- Warning! Pool fencing laws affect this product, consult your local council and state government. Abide by state and federal law requirements such as fencing, enclosures, childproof gates, etc.
- Warning! Water attracts children; always remove pool ladder when not in use. Store it in a place that is not accessible to children.
- Danger! Prevent the risk of accidental drowning. Extreme caution must be taken to prevent unauthorised access by children. To avoid accidents, ensure that children do not use the pool unless they are supervised by an adult. Never leave children unattended.
- Warning! To avoid electrocution, do not allow or use electric devices such as light, telephone, radio, television, hairdryer, etc., within 1.83 meters of the pool.
- Warning! Risk of electric shock. Never operate any electrical appliance when in the pool or when your body is wet.
- Warning! Avoid using lawnmowers, hedge trimmers and

other garden equipment near or around the pool.

- Warning! Never swim or bathe in the pool during rain, storms or thunder lightning in the vicinity of the pool.
 - Warning! Do Not allow horseplay, diving or jumping into or around the pool. Never enter the pool through any decks or other raised surfaces. The water level of the pool is shallow. Serious injury, paralysis or death could result if the safety precautions are not taken seriously.
 - Caution! It is advisable to wear protective gloves when assembling pool.
- See image 2
- Save the instructions for future reference.

1.2 General water safety

Supervise children at all times around water. Ensure you have a pool fence that is correctly installed and functioning. Learn basic first-aid such as CPR and keep in practice.

Read this as often as you can before you use the pool with your children! Your children's safety depends on you! Accidents don't just happen to other people; they may happen to your children if they are not closely monitored. Prepare yourself mentally for any situation that may occur so you can offer adequate aid and assistance.

- Child supervision should be close and constant
- Ensure at least one safety supervisor.
- Increase supervision when there are several users in the swimming pool.
- Have personal flotation aids available (for children and people who cannot swim).
- Teach your children to swim as early as possible.
- Wet your neck, arms and legs before you enter the water.
- Make sure you are trained in life-saving techniques, especially those for children.
- Do not allow young children to dive or jump into the pool.
- Do not allow races and rough play in the pool.
- Do not allow children who are unable to swim, to enter the pool without swim vest or armbands, and without adult supervision.
- Flotation devices are not a substitute for adult supervision.
- Do not leave toys near or in the pool without supervision.
- Always keep the water clean and sanitised.
- Store the water treatment products away from children reach.
- Avoid using a telephone at or near the poolside to pay attention to the children.
- Always keep pool buoy and pool pole at the poolside.
- Keep the pool fence gate shut when the pool is not occupied. Install and secure the pool cover when not in use.

- If possible, use an electronic pool alarm that can detect someone falling into a pool.

There is no replacement for close adult supervision of children! If an accident occurs:

- Take the child out of the pool immediately.
- Call local emergency number/000 immediately for assistance and follow the advice given to you.
- Perform CPR immediately if the child or adult is not breathing.
- See for CPR life support flow chart.
- The CPR instruction is also on the pool wall.

2 Parts list

See image 3

#	Part No.	Parts Description	Splasher Round Pool
1	20191001	Pool Wall	1
2	20191002	Pool Liner	1
7	20191007	Maintenance Kit	1
8	20191008	Top and Bottom Rail	28
9	20191009	Rail Connector	56
10	20191010	Self-adhesive Tape	1
11	20191011	M6 Nut	20
12	20191012	M6x11 Bolt	20
13	20191013	M6 washer	20
14	20191014	Plastic Bolt Cap	20

i Note:

- Check all parts and ensure they are present without damage before assembly.
- Report missing or damaged parts immediately for a replacement.
- Ladder, pool cover and groundsheet may not include in the package due to different configuration, consult your local pool dealer for these parts.
- Images and objects may differ.

3 Installation instructions

3.1 Selecting a suitable installation site

Pool Dimension (Metric)	Pool Dimension (Imperial)
Φ3500xH900mm	Φ12'xH36"
Φ3500xH900mm	Φ12'xH36"

Carefully select the site for your pool. This is the most important decision to ensure the safety and success of the construction of your pool. An incorrect site could cause problems in the future,

leading to serious injury, death or financial loss. Read the checklist given below when selecting the site.

Acceptable

- Flat, level, firm and dry ground with easy access to all sides of the pool.
- Allow direct sunlight, preferably in the morning.
- Safe access to electricity for running the filter pump and other pool accessories.
- Access to the main water source.
- Protection from strong winds.

Not acceptable

- Sloping ground.
- Concrete, asphalt, sandy, gravel and swampy ground.
- Close to wooden construction such as pergolas and deckings.
- Next to deciduous or leafy trees.
- Over-head wires and clothing lines.
- Drains, electric wires or gas pipelines near the site.
- Poor or little drainage or high flood risk locations.
- Strong/high wind conditions.

Tools Required

- Phillips head screwdriver
- Small shifter
- Clothes pegs
- Sprit level
- Sharp knife
- Site excavation tools
- Protective gloves
- Rake and spade
- Bricklayers' sand
- Funnel

3.2 Pool set up

Marking the site

See image 4

A	Pool Size	B	Pool
---	-----------	---	------

1. Mark the centre of the site and drive a stake or screwdriver into the soil.
2. Tie a piece of string onto the stick. At the other end of the string, tie a funnel. The distance between the stick and the funnel should be 15cm, more than the radius of the pool.
3. Place flour, chalk dust or lime into the funnel and draw a circle around the stake. If the pool diameter is 3500mm, then the circle should be 3800mm in diameter.

3.3 Levelling the area

⚠ Warning!

Levelling is extremely important. Take as much time as possible to work on the installation site that is completely firm and levelled. Use a carpenter's level and straight edge to ensure that the site is entirely level, flat and firm! The pool contains a

huge amount of water and thousands of kilos of weight. If the pool collapses due to unlevelled ground, it will cause a lot of damage to property and even cause injury or death! Remove the higher ground rather than filling the low laying ground. Attention! Always remove grass and stones within the circle. Clear any grass such as Kukua grass, and use the ground cover provided to ensure that the grass doesn't penetrate the pool liner and causes damage.

See image 5

A	Remove high spots.	B	Do not fill low spots.
----------	--------------------	----------	------------------------

Spread a light layer of fine bricklayers sand over the foundation area. Level this layer evenly.

See image 6

3.4 Assembling the pool base rails

- Place the base pieces equally around the circle line drawn in Step 3, slide the pipe connectors into one end of the base rail, then connect another base rail, continue around the circle until all base rails are joined together except for the last one.

See image 7

- Fixing the pool wall

Put the pool wall on a ground cloth, cardboard or a piece of plywood. This is to protect the levelled ground while installation of the pool wall is taking place.

See image 8

It is advisable to wear protective gloves when handling the metal wall.

See image 2

- Then uncoil the whole pool wall onto the ground rail. Join the 2 ends of the pool wall together. Line up the screw holes and attach the bolts, washers and nuts but do not fully tighten. Measure and trim the last piece of base rail to fit the base of the pool wall. Once you have a snug fit, tighten all the nuts.

See images 9 and 10

- Place the screw heads through the inside of the pool. Nuts must be on the outside of the pool wall. Only hand tighten the bolts at this point. Check to see if the pool wall is level. This can be achieved by placing a length of rigid timber or similar across the diameter of the pool and placing the builders level on the top.

See images 10 and 11

- If the deviation is more than 2 cm, then the ground site must be levelled again. Check if the pool wall is round and measure the diameter across a few spots to make sure the differences of diameter measured are within 2cm.

⚠ WARNING! The uneven pool is very dangerous and may collapse at any time.

See image 12

A	Use the screw caps to protect the bolts.
B	You can also use tape to seal the screw heads.

3.5 Making a protective cushion cove at the foot of the inner pool wall

Recommendation: To protect the liner against the sharp edges of the base rail and pool wall, build a protective covering made of fine brick sand at the foot of the pool wall. The size must be 15cm H x 15cm W so that it completely seals the rail but doesn't distort the pool liner.

See image 13

A	Sand cove	D	Pool Wall
B	Pool Liner	E	Base rail
C	Seam is centred in the middle of the sand cove.		

3.6 Fitting the PVC pool liner

- Fit the PVC liner on a warm and sunny day, preferably above 22°C. Unfold the PVC liner and put it under the sun for 2 hours. This helps to soften the PVC. If the temperature is below 16°C, the PVC liner will be hard, rigid and quite difficult to handle. Put the liner at the centre of the pool site inside the pool wall. Extend it evenly until the seam line reaches the base of the pool where the protective sand cover is. Smooth out all the wrinkles in the liner. Straighten the PVC liner and hold it perpendicular to the ground. Drape the pool liner over the pool wall. There should be an overlap of 8cm of the pool wall height. Hold the overlap in place with clothing pegs.

See images 14 and 15

- Check if the pool liner is placed evenly around the perimeter. Evenly fold the excessive length of the PVC if you find it a bit loose. Check if the overlap is even and balanced. If the pool liner is slightly short, then you have to let it down and vice versa. Add pegs to hold the liner in place. Apply the top plastic rails, remove the pegs one at a time while adding the top plastic rails. Slide the pipe connectors into one end of the top plastic rail, then connect another top plastic rail, continue around the circle until all top plastic rails are joined together except for the last one.

See images 15 and 16

A	Top plastic rail
B	Do not cut the excess overlap off the pool liner wall. Neatly tape it to the top rail. If you cut the overlap, it will make the next pool installation difficult.
C	Trim the excess off the last top rail once the perimeter is completed.

- Fill the pool with 3 cm of water to smooth out the liner against the pool wall. Check to see if the water is at the right level if not, something is wrong. You will have to dismantle

the liner and pool wall to access and level the ground area.

4 Maintenance and cleaning

4.1 Pool maintenance

- Always keep your pool clean and apply the correct pool chemicals. Unsanitary water is a severe health hazard.
- Maintain pool pH level between 7.2 to 7.6.
- Ask your dealers advise if you want to modify your filtration system.
- Clean the PVC liner regularly with non-abrasive brushes or venturi vacuum cleaner.
- Use your filtration system on at least one day before using the pool. Allow enough time to ensure the pool water is completely filtrated before use and maintain the water level as marked on the pool wall.

4.2 Preparing for winter

If you do not want to dismantle the pool in winter, please observe the following instructions:

1. Do not drain the pool water completely as the pool may

collapse.

2. Treat the pool water with a suitable chemical product.
3. Drain the water 10cm below the outlet valve in the pool wall. You can use a pump or a garden hose.

See image 17

4. Dip the hose into the water until water fills it completely, take out one hose end and water will begin to drain automatically.

See image 18

5. Don't use the water in the garden as it is treated with pool chemicals.
6. Close the hole of the return valve with a stopper. They are available from a pool retailer.
7. Remove the filtration system from the pool and drain any water inside the filtration system. You can leave the inlets/outlets attached to the pool. Store the filtration system away in a dry place, preferably in its original package.
8. Also remove any other pool accessories and store them in a dry and cool place.
9. Protect the pool with a pool cover. Secure the cover using draw cables and tighten it around the pool.

DE Benutzerhandbuch

1 Warnung und persönliche Sicherheit

▲ Wichtig: Lesen Sie das Handbuch vor der Installation sorgfältig durch. Bewahren Sie das Handbuch zum späteren Nachschlagen auf.

1.1 Sicherheitshinweise

▲ Hinweis

Befolgen Sie diese Regeln unbedingt, um das Risiko schwerer Verletzungen oder eines möglichen Todes zu vermeiden:

Wichtige Sicherheitshinweise

Die folgenden Anweisungen enthalten wichtige Sicherheitsinformationen. Wir empfehlen Ihnen dringend, die Sicherheitshinweise zu lesen und sie bei der Nutzung des Pools zu befolgen. Bei der Installation und Verwendung der Geräte müssen immer die grundlegenden Sicherheitsvorkehrungen befolgt werden.

Anleitung

Siehe Bild 1

▲ Warnung! Kinder können aufgrund von Fahrlässigkeit in Schwimmbecken ertrinken. Die Aufsicht durch Erwachsene ist jederzeit erforderlich. Lassen Sie Kinder in unmittelbarer Nähe des Beckens nicht unbeaufsichtigt. Für diesen Pool gelten Pool-Abgrenzungs-Regelungen. Wenden Sie sich bezüglich der Zaunanforderungen an Ihre örtliche Behörde.

Wählen Sie kein mit Gras und Unkraut bewachsenes Gelände aus. Gras kann in die Poolfolie eindringen und die Garantie

ungültig machen.

Lesen und befolgen Sie alle Anweisungen.

- Hinweis: Bitte überprüfen Sie die Ausrüstung vor dem Gebrauch. Wenn zum Zeitpunkt des Kaufs beschädigte oder fehlende Teile vorhanden sind, bitte nicht zusammenbauen oder betreiben, bis alle Teile ausgetauscht bzw. eingesetzt sind.
- Warnung! Wenden Sie sich bezüglich der Verwendung von Wasser und/oder der Wasserrestriktionen in Bezug auf dieses Produkt an Ihren Gemeinderat, Ihre Landesregierung oder Ihre Wasserbehörde.
- Warnung! Pool-Abgrenzungs-Regelungen wirken sich auf dieses Produkt aus. Wenden Sie sich an Ihren Gemeinderat und die Landesregierung. Befolgen Sie die staatlichen und bundesstaatlichen Anforderungen was Zäune, Umzäunungen, kindersichere Tore usw. anbelangt.
- Warnung! Wasser zieht Kinder an; Entfernen Sie die Poolleiter immer, wenn Sie sie nicht benutzen. Bewahren Sie es an einem Ort auf, der für Kinder nicht zugänglich ist.
- Achtung! Vermeiden Sie das Risiko eines versehentlichen Ertrinkens. Es ist äußerste Vorsicht geboten, um den unbefugten Zugriff von Kindern zu verhindern. Um Unfälle zu vermeiden, stellen Sie sicher, dass Kinder den Pool nur benutzen, wenn sie von einem Erwachsenen beaufsichtigt werden. Lassen Sie Kinder niemals unbeaufsichtigt.
- Warnung! Um einen Stromschlag zu vermeiden, dürfen elektrische Geräte wie Licht, Telefon, Radio, Fernsehen,

Haartrockner usw. nicht in einem Umkreis von 3 Meter um den Pool zugelassen oder verwendet werden.

- **Warnung!** Risiko eines elektrischen Schlages. Betreiben Sie niemals ein Elektrogerät, wenn Sie sich im Pool befinden oder wenn Ihr Körper nass ist.
- **Warnung!** Verwenden Sie keine Rasenmäher, Heckenscheren und andere Gartengeräte in der Nähe des Pools.
- **Warnung!** Schwimmen oder baden Sie niemals im Pool bei Regen, Stürmen oder Gewittern.
- **Achtung!** Lassen Sie kein Tauchen oder Springen zu. Betreten Sie den Pool niemals durch Decks oder andere erhöhte Oberflächen. Der Wasserstand des Pools ist flach. Wenn die Sicherheitsvorkehrungen nicht ernst genommen werden, kann dies zu schweren Verletzungen, Lähmungen oder zum Tod führen.
- **Vorsicht!** Es ist ratsam, beim Zusammenbau des Pools Schutzhandschuhe zu tragen.

Siehe Bild 2

- Die Anweisungen zum späteren Nachschlagen bitte aufbewahren.

1.2 Allgemeine Wassersicherheit

Beaufsichtigen Sie Kinder jederzeit rund um das Wasser. Stellen Sie sicher, dass Sie einen Poolzaun haben, der korrekt installiert ist und funktioniert. Lernen Sie grundlegende Erste-Hilfe-Maßnahmen wie HLW und üben Sie weiter.

Lesen Sie dies so oft wie möglich, bevor Sie mit Ihren Kindern den Pool benutzen! Die Sicherheit Ihrer Kinder hängt von Ihnen ab! Unfälle passieren nicht nur anderen Menschen. Sie können Ihren Kindern passieren, wenn sie nicht genau überwacht werden. Bereiten Sie sich mental auf jede mögliche Situation vor, damit Sie angemessene Hilfe und Unterstützung anbieten können.

- Die Aufsicht der Kinder sollte ununterbrochen sein.
- Stellen Sie mindestens einen Sicherheitsbeauftragten sicher.
- Erhöhen Sie die Aufsicht, wenn sich mehrere Leute im Schwimmbad befinden.
- Halten Sie persönliche Schwimmhilfen bereit (für Kinder und Personen, die nicht schwimmen können).
- Bringen Sie Ihren Kindern bei, so früh wie möglich zu schwimmen.
- Befeuchten Sie Hals, Arme und Beine, bevor Sie ins Wasser gehen.
- Stellen Sie sicher, dass Sie in lebensrettenden Techniken geschult sind, insbesondere für Kinder.
- Erlauben Sie kleinen Kindern nicht, zu tauchen oder in den Pool zu springen.
- Erlauben Sie keine Wettrennen und grobe Spiele im Pool.
- Erlauben Sie Kindern, die nicht schwimmen können, den Pool nicht ohne Schwimmweste oder Armbinden und ohne

Aufsicht von Erwachsenen zu betreten.

- Schwimmhilfen sind kein Ersatz für die Aufsicht durch Erwachsene.
- Lassen Sie Spielzeuge nicht ohne Aufsicht in der Nähe oder im Pool.
- Halten Sie das Wasser immer sauber und hygienisch.
- Bewahren Sie die Wasseraufbereitungsprodukte außerhalb der Reichweite von Kindern auf.
- Verwenden Sie keine Handys im oder in der Nähe des Pools.
- Bewahren Sie die Poolboje und die Poolstange immer am Pool auf.
- Halten Sie das Poolzaun-Tor geschlossen, wenn der Pool nicht in Benutzung ist. Bringen und sichern Sie die Poolabdeckung, wenn der Pool nicht verwendet wird.
- Verwenden Sie nach Möglichkeit einen elektronischen Poolalarm, der erkennen kann, dass jemand in einen Pool fällt.

Es gibt keinen Ersatz für eine enge Aufsicht von Kindern durch Erwachsene! Bei einem Unfall:

- Nehmen Sie das Kind sofort aus dem Pool.
- Rufen Sie sofort die örtliche Notrufnummer / 112 an, um Unterstützung zu erhalten, und befolgen Sie die Anweisungen, die Sie erhalten.
- Führen Sie sofort HLW durch, wenn das Kind oder der Erwachsene nicht atmet.
- Siehe das Diagramm zur HLW-Lebenserhaltung.
- Die HLW-Anweisung befindet sich auch an der Poolwand.

2 Liste der Bestandteile

Siehe Bild 3

#	Teil-Nr.	Beschreibung der Teile	Spritzer-Rundbecken
1	20191001	Poolwand	1
2	20191002	Poolfolie	1
7	20191007	Wartungskit	1
8	20191008	Obere und untere Schiene	28
9	20191009	Schienenverbinder	56
10	20191010	Selbstklebendes Klebeband	1
11	20191011	M6 Mutter	20
12	20191012	M6x11 Schraube	20
13	20191013	M6 Unterlegscheibe	20
14	20191014	Kunststoff-Schraubkappe	20

i Hinweis:

- Überprüfen Sie vor der Montage alle Teile und stellen Sie sicher, dass sie unbeschädigt bzw. vorhanden sind.

- Melden Sie fehlende oder beschädigte Teile sofort und verlangen Sie Ersatz.
- Leiter, Poolabdeckung und Bodenplatte sind aufgrund unterschiedlicher Konfiguration möglicherweise nicht im Paket enthalten. Wenden Sie sich für diese Teile an Ihren örtlichen Poolhändler.
- Bilder und Objekte können abweichen.

3 Installationsanleitung

3.1 Auswahl eines geeigneten Installationsortes

Pool-Abmessung (metrisch)	Pool-Abmessung (imperial)
Φ 3500 x H 900 mm	Φ12' x H36"
Φ 3500 x H 900 mm	Φ12' x H36"

Wählen Sie den Standort für Ihren Pool sorgfältig aus. Dies ist die wichtigste Entscheidung, um die Sicherheit und den Erfolg beim Bau Ihres Pools zu gewährleisten. Ein falscher Standort könnte in Zukunft Probleme verursachen und zu schweren Verletzungen, Tod oder finanziellen Verlusten führen. Lesen Sie die unten stehende Checkliste bei der Auswahl des Standortes.

Akzeptabel

- Flacher, ebener, fester und trockener Boden mit einfachem Zugang zu allen Seiten des Pools.
- Lassen Sie direktes Sonnenlicht zu, vorzugsweise morgens.
- Sicherer Zugang zu Elektrizität zum Betreiben der Filterpumpe und anderen Poolzubehörteilen.
- Zugang zur Hauptwasserquelle.
- Schutz vor starken Winden.

Inakzeptabel

- Schräger Boden.
- Beton, Asphalt, Sand, Kies und sumpfiger Boden.
- In der Nähe von Holzkonstruktionen wie Pergolen und Terrassen.
- Neben laubabwerfenden oder belaubten Bäumen.
- Oberleitungen und Wäscheleinen.
- Abflüsse, elektrische Leitungen oder Gasleitungen in der Nähe des Standorts.
- Schlechte oder geringe Entwässerung oder Standorte mit hohem Hochwasserrisiko.
- Starke/hohes Windverhältnisse.

Benötigte Werkzeuge

- Kreuzschlitzschraubendreher
- Kleiner Schieber
- Wäscheklammern
- Wasserwaage
- Scharfes Messer
- Baugrubenwerkzeuge
- Schutzhandschuhe
- Rechen und Spaten
- Sand

- Trichter

3.2 Errichtung eines Pools

Markierung des Standortes

Siehe Bild 4

A	Pool-Größe	B	Pool
---	------------	---	------

1. Markieren Sie die Mitte des Standortes und positionieren Sie dort einen Pfahl oder Schraubendreher in den Boden.
2. Binden Sie ein Stück Schnur an einen Stock. Binden Sie am anderen Ende der Schnur einen Trichter. Der Abstand zwischen dem Stab und dem Trichter sollte 15 cm betragen, mehr als der Radius des Pools.
3. Geben Sie Mehl, Kreidestaub oder Kalk in den Trichter und zeichnen Sie einen Kreis um den Pfahl. Wenn der Pooldurchmesser 3500 mm beträgt, sollte der Kreis einen Durchmesser von 3800 mm haben.

3.3 Nivellierung des Bodens

⚠ Achtung!

Die Nivellierung ist extrem wichtig. Nehmen Sie sich so viel Zeit wie möglich, um an einem festen und ebenen Installationsort zu arbeiten. Verwenden Sie eine gute Wasserwaage, um sicherzustellen, dass der Boden vollständig eben, flach und fest ist! Der Pool enthält eine große Menge Wasser und Tausende an Kilo Gewicht. Wenn der Pool aufgrund von unebenem Boden zusammenbricht, kann dies zu erheblichen Sachschäden und sogar zu Verletzungen oder zum Tod führen! Entfernen Sie den höhergelegenen Boden, anstatt den niedrigergelegenen Boden zu füllen. Achtung: Entfernen Sie immer Gras und Steine innerhalb des Kreises. Entfernen Sie Gras und verwenden Sie die mitgelieferte Bodenbedeckung, um sicherzustellen, dass das Gras nicht in die Poolfole eindringt und Schäden verursacht. Siehe Bild 5

A	Hohe Stellen entfernen.	B	Füllen Sie keine tiefen Stellen auf.
---	-------------------------	---	--------------------------------------

Verteilen Sie eine dünne Schicht feinen Sand auf dem Bereich. Richten Sie diese Ebene gleichmäßig aus.

Siehe Bild 6

3.4 Montage der Poolbodenschienen

1. Platzieren Sie die Basisteile gleichmäßig um die in Schritt 3 gezeichnete Kreislinie, schieben Sie die Rohrverbinder in ein Ende der Basisschiene, verbinden Sie dann eine andere Basisschiene und fahren Sie um den Kreis herum fort, bis alle Basisschienen bis auf die letzte miteinander verbunden sind.

Siehe Bild 7

2. Befestigung der Poolwand

Stellen Sie die Beckenwand auf ein Bodentuch, Pappe oder ein Stück Sperrholz. Dies dient zum Schutz des ebenen Bodens während der Montage der Poolwand.

Siehe Bild 8

Es ist ratsam, beim Umgang mit der Metallwand Schutzhandschuhe zu tragen.

Siehe Bild 2

3. Wickeln Sie dann die gesamte Poolwand auf die Bodenschiene. Verbinden Sie die beiden Enden der Poolwand miteinander. Richten Sie die Schraubenlöcher aus und befestigen Sie die Schrauben, Unterlegscheiben und Muttern, ziehen Sie sie jedoch nicht fest an. Messen und schneiden Sie das letzte Stück der Basisschiene so, dass es zum Boden der Poolwand passt. Sobald Sie einen festen Sitz haben, ziehen Sie alle Muttern fest.

Siehe Bilder 9 und 10

4. Achten Sie darauf, dass die Muttern sich außerhalb der Poolwand befinden. Ziehen Sie die Schrauben an dieser Stelle nur von Hand an. Überprüfen Sie, ob die Poolwand eben liegt; dies kann man mit einer Latte (über den Durchmesser des Pools gelegt) und einer Wasserwaage (darauf platziert) feststellen.

Siehe Bilder 10 und 11

5. Wenn die Abweichung mehr als 2 cm beträgt, muss der Boden erneut ausgerichtet werden. Überprüfen Sie, ob die Poolwand rund ist, und messen Sie den Durchmesser an einigen Stellen, um sicherzustellen, dass die gemessenen Durchmesserunterschiede innerhalb von 2 cm liegen.

⚠️ WARNUNG! Ein unebener Pool ist sehr gefährlich und kann jederzeit zusammenbrechen.

Siehe Bild 12

A	Verwenden Sie die Schraubkappen, um die Schrauben zu schützen.
B	Sie können die Schraubköpfe auch mit Klebeband abdichten.

3.5 Herstellung einer Schutzkissenbucht am Fuß der inneren Poolwand

Empfehlung: Um die Auskleidung vor den scharfen Kanten der Grundschiene und der Poolwand zu schützen, bauen Sie am Fuß der Poolwand eine Schutzhülle aus feinem Ziegelsand auf. Die Größe muss 15 cm H x 15 cm B betragen, damit die Schiene vollständig abgedichtet wird, die Poolfolie jedoch nicht verzerrt wird.

Siehe Bild 13

A	Sandbucht	D	Poolwand
B	Poolfolie	E	Grundschiene
C	Die Naht ist in der Mitte der Sandbucht zentriert.		

3.6 Montage der PVC-Poolfolie

1. Bringen Sie die PVC-Folie an einem warmen und sonnigen Tag an, vorzugsweise bei einer Temperatur von über 22° C.

Falten Sie die PVC-Folie auseinander und legen Sie diese 2 Stunden lang unter die Sonne. Dies hilft, das PVC zu erweichen. Wenn die Temperatur unter 16° C liegt, ist die PVC-Folie hart, steif und ziemlich schwer zu handhaben. Legen Sie die Folie in die Mitte des Pools innerhalb der Poolwand. Ziehen Sie es gleichmäßig heraus, bis die Nahtlinie den Boden des Pools erreicht, an dem sich die schützende Sandabdeckung befindet. Glätten Sie alle Falten in der Folie. Richten Sie die PVC-Folie gerade aus und halten Sie sie senkrecht zum Boden. Drapieren Sie die Poolfolie über die Poolwand. Die Höhe der Poolwand sollte 8 cm überlappen. Halten Sie die Überlappung mit Wäscheklammern fest.

Siehe Bilder 14 und 15

2. Überprüfen Sie, ob die Poolfolie gleichmäßig um den Umfang platziert ist. Falten Sie die übermäßige Länge des PVC gleichmäßig, wenn Sie es etwas locker finden. Überprüfen Sie, ob die Überlappung gleichmäßig und ausgeglichen ist. Wenn die Poolfolie etwas kurz ist, müssen Sie sie herunterlassen und umgekehrt. Fügen Sie Stifte hinzu, um die Folie an Ort und Stelle zu halten. Bringen Sie die oberen Kunststoffschienen an, entfernen Sie die Stifte nacheinander, während Sie die oberen Kunststoffschienen hinzufügen. Schieben Sie die Rohrverbinder in ein Ende der oberen Kunststoffschiene, schließen Sie dann eine weitere obere Kunststoffschiene an und fahren Sie um den Kreis herum fort, bis alle oberen Kunststoffschienen bis auf die letzte miteinander verbunden sind.

Siehe Bilder 15 und 16

A	Obere Kunststoffschiene
B	Schneiden Sie die überschüssige Überlappung nicht von der Wand der Poolfolie ab. Kleben Sie es ordentlich auf die obere Schiene. Wenn Sie die Überlappung verringern, wird die nächste Poolinstallation schwierig.
C	Schneiden Sie den Überschuss von der letzten oberen Schiene ab, sobald der Umfang abgeschlossen ist.

3. Füllen Sie den Pool mit 3 cm Wasser, um die Folie gegen die Poolwand zu glätten. Überprüfen Sie, ob das Wasser auf dem richtigen Stand ist, wenn nicht, stimmt etwas nicht. Sie müssen die Folie und die Poolwand zerlegen, um Zugang zum Bodenbereich zu erhalten und diesen auszurichten.

4 Pflege und Reinigung

4.1 Poolpflege

- Halten Sie Ihren Pool immer sauber und wenden Sie die richtigen Poolchemikalien an. Die dauerhafte Missachtung der Wasserwerte stellt ein ernstzunehmendes Gesundheitsrisiko dar.
- Halten Sie den pH-Wert des Pools zwischen 7,2 und 7,4.
- Wenden Sie sich an Ihren Händler, wenn Sie Ihr Filtersystem austauschen möchten.
- Reinigen Sie den PVC-Liner regelmäßig mit nicht-

scheuernden Bürsten oder Venturi-Staubsaugern.

- Verwenden Sie Ihr Filtersystem mindestens einen Tag vor der Nutzung des Pools. Nehmen Sie sich vor dem Gebrauch genügend Zeit, um sicherzustellen, dass das Poolwasser vollständig gefiltert ist, und halten Sie den Wasserstand wie an der Poolwand angegeben.

4.2 Vorbereitung auf den Winter

Wenn Sie den Pool im Winter nicht abbauen möchten, beachten Sie bitte die folgenden Anweisungen:

1. Lassen Sie das Poolwasser nicht vollständig ab, da der Pool sonst zusammenbrechen kann.
2. Behandeln Sie das Poolwasser mit einem geeigneten chemischen Produkt.
3. Lassen Sie das Wasser 10 cm unterhalb des Auslassventils in der Poolwand ab. Sie können eine Pumpe oder einen Gartenschlauch verwenden.

Siehe Bild 17

4. Tauchen Sie den Schlauch ins Wasser, bis das Wasser ihn vollständig gefüllt hat. Nehmen Sie ein Schlauchende heraus und das Wasser läuft automatisch ab.

Siehe Bild 18

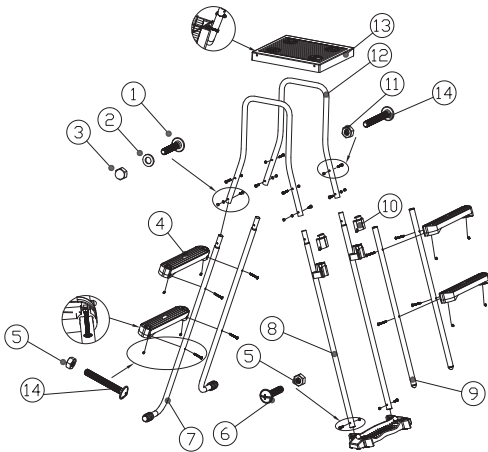
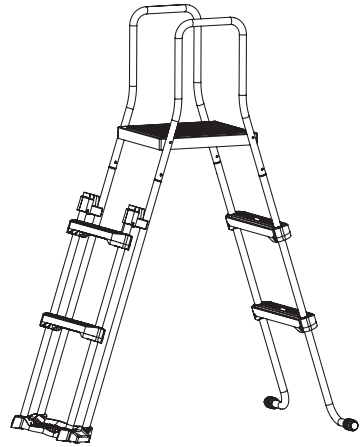
5. Schütten Sie das Wasser nicht im Garten aus, da es mit Poolchemikalien behandelt worden ist.
6. Verschließen Sie das Loch des Rückschlagventils mit einem Stopfen; sie sind bei einem Poolhändler erhältlich.
7. Entfernen Sie das Filtersystem aus dem Pool und lassen Sie das Wasser aus dem Filtersystem ab. Sie können die Einlässe/Auslässe am Pool angeschlossen lassen. Lagern Sie das Filtersystem an einem trockenen Ort, vorzugsweise in der Originalverpackung.
8. Entfernen Sie auch alle anderen Poolzubehörteile und lagern Sie sie an einem trockenen und kühlen Ort.
9. Schützen Sie den Pool mit einer Poolabdeckung. Befestigen Sie die Abdeckung mit Zugkabeln und ziehen Sie sie um den Pool herum fest.

Sicherheitsleiter

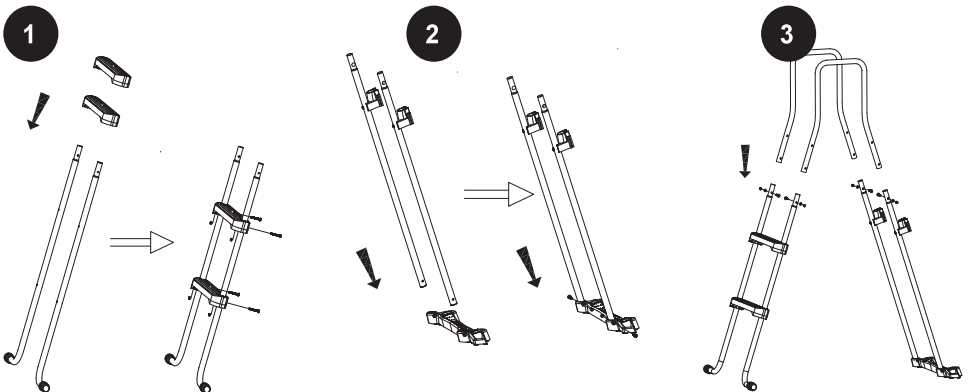
Im Lieferumfang dieses Pools ist eine Leiter enthalten.

Die maximale Belastung der Leiter beträgt 85 kg.

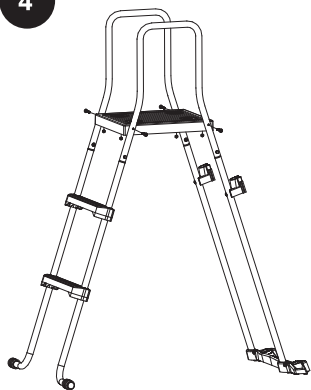
Beginnen Sie mit der Montage der Leiterstufen, bevor die beiden Seiten der Leiter endgültig zusammengebaut werden.



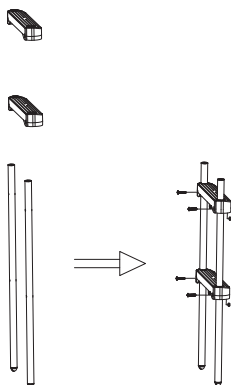
NO.	NAME	QTY
1	M6x30 Schraube	4
2	M6 Unterlegscheibe	4
3	M6 Überwurfmutter	4
4	Stufe	4
5	M6 Kontermutter	10
6	M6x40 Schraube	2
7	Halterung	2
8	Spike	2
9	Fußleiste	4
10	Verriegelung	2
11	M6 Mutter	4
12	Handlauf	2
13	Sitzplattform	1
14	M6X45	12



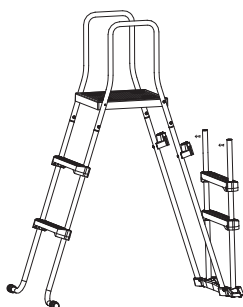
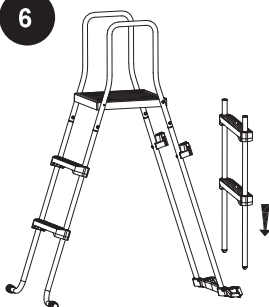
4



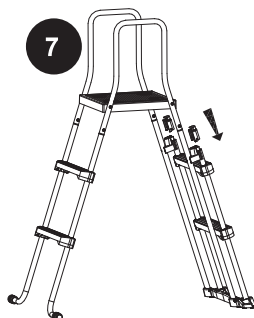
5



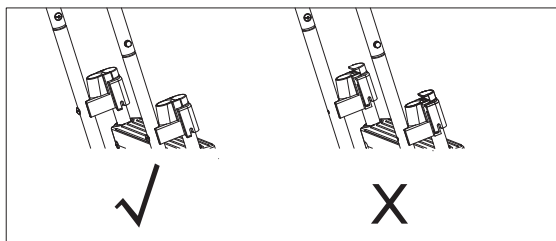
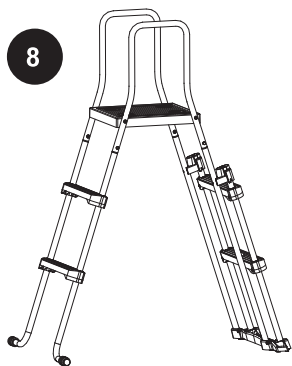
6



7



8



9

