



INTERLINE BALI

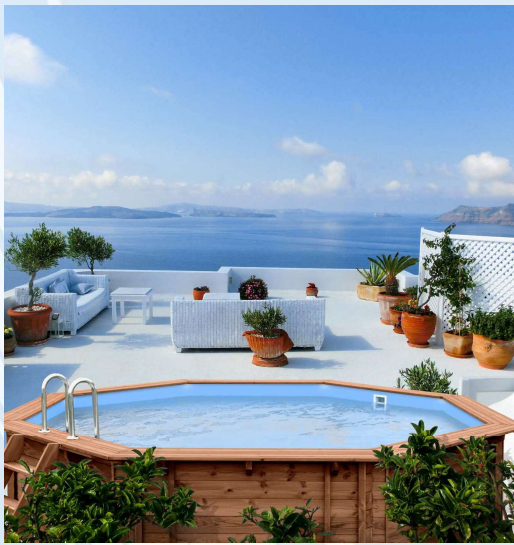
Ø 3,55 - 1,16 m

**WOODEN POOL
USER GUIDE**

**HOLZPOOL
BENUTZERHANDBUCH**

**ASSEMBLY
INSTRUCTION**

MONTAGEANLEITUNG





POOL SERIAL NUMBER

IMPORTANT !!!

POOL SERIAL NUMBER

Your pool has got its own unique serial number, which you will find underneath, on the box with fittings and on the outer packaging. Important: please keep the number below, which is required in warranty matters. In order for the warranty claim/question to be considered – the serial number is required.

WAŻNE !!!

NUMER SERYJNY BASENU

Państwa basen jest opatrzony indywidualnym numerem seryjnym, który znajdziecie Państwo poniżej, na kartoniku z okuciami oraz na opakowaniu zewnętrznym. Ważne : proszę zachować poniższy numer, który jest niezbędny w kwestiach gwarancyjnych. W celu rozpatrzenia ewentualnego zapytania/reklamacji – numer seryjny będzie wymagany.

IMPORTANT !!!

NUMÉRO DE SÉRIE PISCINE

Votre piscine est munie d'un numéro de série individuel, que vous trouverez ci-dessous, sur un carton avec la visserie et sur la palette extérieure. Important: veuillez garder le numéro ci-dessous qui est nécessaire pour toutes les questions de garantie. Afin d'envisager une éventuelle réclamation/demande - le numéro de série sera requis.

BELANGRIJK !!!

ZWEMBAD SERIENUMMER

Uw zwembad heeft zijn eigen unieke serienummer, zie hieronder, op de doos met fittingen en op de buitenverpakking.

Belangrijk: bewaar het onderstaande nummer, een vereiste voor garantiekwesies zodat de garantieclaim / vraag in behandeling wordt genomen.

WICHTIG!!!

SERIENUMMER DES POOLS

Ihr Pool hat eine individuelle Seriennummer, die Sie unten finden, auf dem Karton mit Beschlägen und auf der Umverpackung.

Wichtig: Bitte bewahren Sie die folgende Nummer auf, die für Garantiefälle erforderlich ist. Für die Bearbeitung Ihrer Anfrage/Reklamation ist die Angabe der Seriennummer erforderlich.

POOL SERIAL NUMBER



LINER SERIAL NUMBER

IMPORTANT !!!

LINER SERIAL NUMBER

This information can be found on both the sticker on the box and the sticker on the liner. Please take note of the production code and item code. Keep this sticker and record information on below in case you misplace or remove sticker. This information will be essential if any work is carried out within the warranty period.

Warranty will not be honored without either sticker, sticker copy or recorded info from sticker.

WAŻNE !!!

NUMER SERYJNY LINER

Te informacje można znaleźć zarówno na naklejce na pudełku, jak i na nalepce na linerze wewnątrz opakowania. Proszę zanotować kod produkcyjny i kod towaru. Prosimy o zachowanie tej naklejki lub zapisanie niezbędnych informacji w przypadku zgubienia lub usunięcia naklejki. Ta informacja będzie niezbędna w przypadku wszystkich zgłoszeń w okresie gwarancyjnym. Gwarancja nie będzie honorowana bez naklejek, kopii naklejek lub zachowanych informacji z naklejki.

IMPORTANT !!!

NUMÉRO DE SÉRIE LINER

Vous trouverez cette information sur une étiquette mise en boîte ou sur une étiquette liner à l'intérieur du carton. Veuillez noter le code de production et le code de produit. Veuillez conserver cette étiquette ou bien toutes les informations nécessaires y présentées dans le cas où vous perdriez ou enleveriez l'étiquette. Ces informations seront indispensables pour toutes les questions de garantie. La garantie ne sera pas honorée sans étiquette, copie d'étiquette ou bien informations enregistrées de l'étiquette.

BELANGRIJK !!!

LINER SERIENUMMER

Deze informatie vindt u op zowel de sticker op de doos als de sticker op de liner. Let op de productiecode en artikelcode. Bewaar deze sticker en noteer onderstaande informatie voor het geval u een sticker kwijtraakt of verwijdt. Deze informatie is essentieel als er binnen de garantieperiode wordt geclaimd. Garantie wordt niet gehonoreerd zonder sticker, stickertekst of opgenomen info van sticker.

WICHTIG!!!

SERIENUMMER LINER

Diese Informationen finden Sie sowohl auf dem Aufkleber auf der Schachtel als auch auf dem Aufkleber auf dem Liner in der Verpackung. Bitte notieren Sie sich den Produktionscode und den Produktcode. Bitte bewahren Sie diesen Aufkleber auf oder bewahren Sie die notwendigen Informationen für den Fall auf, dass Sie den Aufkleber verlieren oder entfernen. Diese Informationen werden für alle Ansprüche während der Garantiezeit benötigt. Die Garantie wird ohne die Aufkleber, Kopien von Aufklebern oder gespeicherte Informationen aus dem Aufkleber nicht anerkannt.

USER GUIDE



INTERLINE

www.interline-products.com





Carefully read, understand, and follow all information in this user manual before installing and using the swimming pool. These warnings, instructions, and safety guidelines address some common risks of water recreation, but they cannot cover all risks and dangers in all cases. Always use caution, common sense, and good judgment when enjoying any water activity.

Retain this information for future use.

NON SWIMMERS SAFETY

- Continuous, active, and vigilant supervision of weak swimmers and non-swimmers by a competent adult is required at all times (remembering that children under five are at the highest risk of drowning)
 - Designate a competent adult to supervise the pool each time it is being used
- Weak swimmers or non-swimmers should wear personal protection equipment when using the pool
 - When the pool is not in use, or unsupervised, remove all toys from the swimming pool and its surrounding to avoid attracting children to the pool

SAFETY DEVICES

- It is recommended to install a barrier (and secure all doors and windows, where applicable) to prevent unauthorized access to the swimming pool
- Barriers, pool covers, pool alarms, or similar safety devices are helpful aids, but they are not substitutes for continuous and competent adult supervision

SAFETY EQUIPMENT

- It is recommended to keep rescue equipment (e.g. a ring buoy) by the pool
- Keep a working phone and a list of emergency phone numbers near the pool

SAFE USE OF THE POOL

- Encourage all users especially children to learn how to swim
- Learn Basic Life Support (Cardiopulmonary Resuscitation - CPR) and refresh this knowledge regularly. This can make a life-saving difference in the event of an emergency
 - Instruct all pool users, including children, what to do in case of an emergency
 - Never dive into any shallow body of water. This can lead to serious injury or death
- Do not use the swimming pool when using alcohol or medication that may impair your ability to safely use the pool
- When pool covers are used, remove them completely from the water surface before entering the pool
- Protect pool occupants from water related illnesses by keeping the pool water treated and practicing good hygiene. Consult the water treatment guidelines in the users manual
- Store chemicals (e.g. water treatment, cleaning or disinfection products) out of the reach of children
 - Use the signage as outlined below
 - Removable ladders shall be placed on a horizontal surface



Dear pool owner



**Please, read this guide
very carefully.**

**Follow the rules in order
to use the pool safely.**

**If you have any questions
or concerns,
please contact your dealer.**

**Signage shall be displayed in a prominent position
within 2m of the pool.**



No diving



Wear personal flotation devices



**Keep children under supervision
in the aquatic environment**

1. Before the installation



Read thoroughly the specifications contained in this guide and installation instructions attached to this product. In the case of insufficient information, contact the seller.



Verify all the elements in quantitative and qualitative terms. Any complaints should be reported before the installation.



Before the installation, store the kit in a dry place which provides adequate air flow. Protect from the weather (sunlight, precipitation). Do not store under cover in direct sunlight. Store up carefully the unpacked wooden elements without exposure to direct sunlight and water.



Wood as a hygroscopic material has the property to absorb or release the ambient humidity. Due to the boiler pressure impregnation class 4, storage and transport, the wooden components may contain residual moisture. This residual moisture in the wood has no influence on the strength and does not represent a defect. In rare cases it happens that mold is on the surface of the wood, the quality of the wood does not suffer from the pressure impregnation of the boiler.



After unpacking the set, the swimming pool should be installed within 72 hours.



Before the installation, cover all wooden elements with the layer of oil or use other agents available on the market to protect them. If left without protection, wood turns grey and is prone to cracking (see: section “WOODEN STRUCTURE – PRESERVATION”).

2. Installation

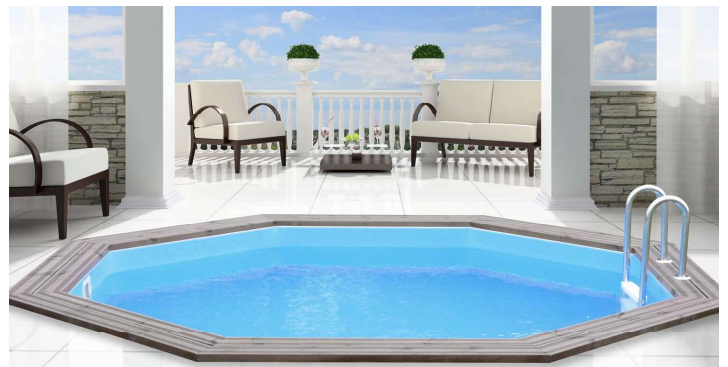
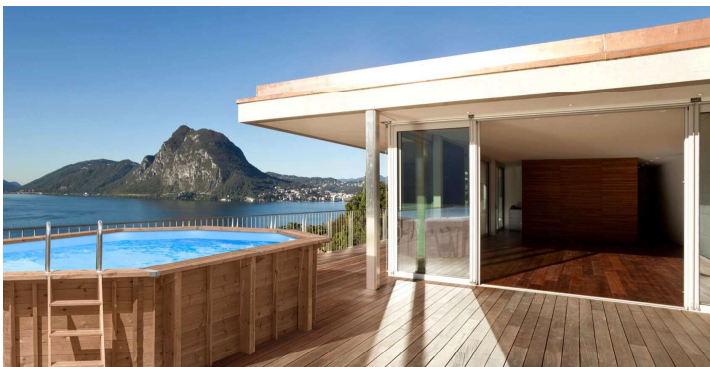


To install the pool, the following items are needed:

- 2 persons
- toolkit as listed in the installation instructions



While installing the pool, always refer to the instructions attached to the set accompanying the pool. IMPORTANT: Instructions provided in an electronic form are for illustrative purposes only.



Do not install the pool on the balcony, terrace or in the places which are not constructed to bear heavy loads. Failure to follow the instructions may cause construction disaster!

The pool is for private use in home gardens only. The pool should be located in a place which ensures that nearby trees, power lines or other fixed elements do not endanger the construction of the pool or its users.

The construction should not be located close to the places with increased amount of chemicals (composition of fertilizers, landfills, chlorine) and biologically active substances (e.g. compost bin).



PREPARATION OF THE FLOOR - applies to all installation types

The ground on which the pool is situated should be stable, solid, flat and, above all, leveled on the entire surface.

It prevents uneven distribution of water forces, which is often the cause of structure damage (distortion).

The soil on which the pool is situated cannot be wetland or subject to periodic surface water flooding.

If the ground surface on which the pool is situated is inclined (hillside, slope), the wooden construction should be embedded in the ground to prevent the pool from sliding.

For models requiring concrete floor, the installation instructions concerning the distribution of steel brackets must be strictly followed.



We recommend that the concrete floor is laid by specialized companies.

Installation types

Above ground

Partially embedded

Completely embedded

Outside

Under shelter

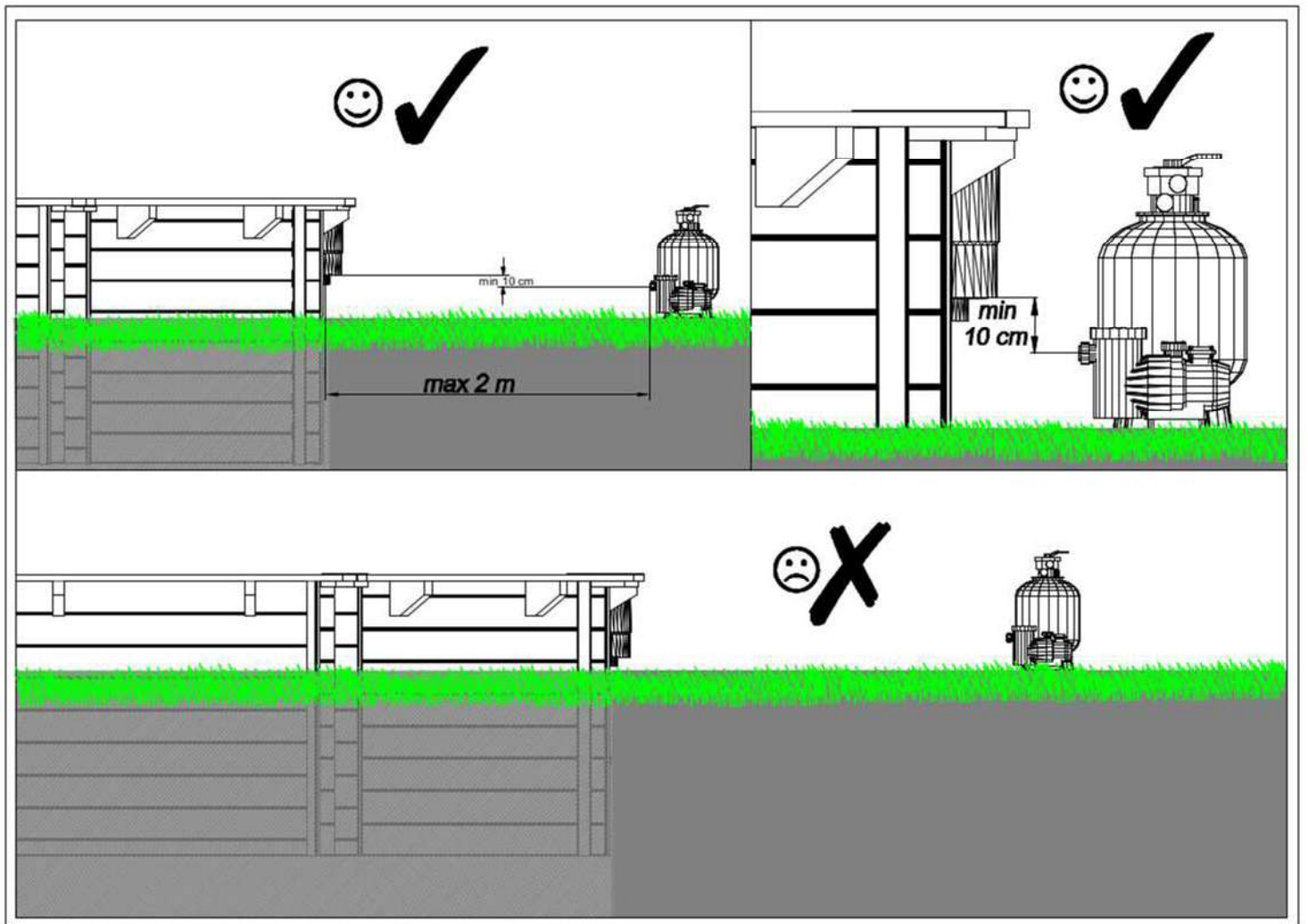
Inside the building



For the embedded installation type (partially or completely) it should be noted as follows:

Pumps and filtration parts can be placed above the bottom of the pool maintaining system efficiency under 3 conditions:

- 1) A convenient and safe access to filtration systems from the top or the side is ensured and also a proper air circulation must be ensured. If the filtration set is placed in dedicated pool coffer, a safe and easy access to the door and coffer hatch must be ensured.
- 2) The pump and the filter are placed not higher than 10 cm below the bottom line of the skimmer (see drawing).
- 3) The distance between the filtration system and the skimmer is not greater than 2 meters.



- It is necessary to additionally secure the wooden structure with a moisture-proofing agent (wood oil scumble is recommended) and use the construction foil with drain to prevent the direct contact between the pool and the ground (installation diagram for an embedded pool is attached to the installation instructions).

- The structure must be absolutely protected from rainwater, tree roots, direct contact with the ground which may be affected by undesired biological agents unfavorable for wood (you can find the detailed information in the installation instructions).

For the installation inside the building, it is in particular necessary to perform as follows:

- Ensure the proper ventilation of the room – increased efficiency ventilation adjusted to evaporation of the water surface.
- Ensure adequate lighting.
- Prepare the proper installations and solutions in the case where it is necessary to empty the pool.

For the installation under shelter, it is in particular necessary to note as follows:

- Shelter dimensions must allow for the proper pool operation.
- The construction of the shelter must be stable and cannot in any way pose a risk to users of the pool.
- If the pool is shaded, water warms up more slowly.



INSTALLATION OF THE WOODEN CONSTRUCTION

To ensure that connections of tongues and grooves in construction planks are precise and tongues are not damaged, it is necessary to use a nail punch attached to wooden elements of the structure. Direct impact against the elements of the tongue or groove is unacceptable. Damages arising from this preclude the proper folding of the elements or reduce their durability.

If the elements are slightly twisted (due to the character of the wood it should not be regarded as a defect), the attempt should be made to position them in different places to fit them together in the construction in the best possible way.

If there are coated elements, it is necessary to fit them in a way so as to place them on the internal (invisible) side of the pool construction.



Do not install damaged elements.

All elements of the construction should be placed in accordance with their intended use as indicated in the instructions. Changing the installation type on one's own results in loss of the guarantee and may cause the pool damage.

It is advisable to install the terrace planks after the pool is filled with water. For aesthetic reasons, it is recommended to remove and re-lay the terrace planks within 1–2 weeks from filling up the pool.

To improve aesthetics and, more importantly, reduce the risk of the terrace planks drawing apart and hide sharp corners, it is suggested to install the masking cover. Masking elements are made of stainless steel or plastic (available in the pool offer).

3. Start-up

Rules concerning the proper electrical connection of a pump must be followed. The power connection must be grounded and meet safety requirements for garden connections in accordance with local regulations. Wires of the filter kit cannot be mounted in a way which poses a risk to users of the pool.

The connection should be prepared in a safe way and be easy in everyday use. It is recommended that the connection be prepared by qualified electricians.

During the filter system start-up, verify whether the filter kit works properly, water flow occurs and no power surge takes place.



In the case of power surge, the use of the pool is strictly forbidden.

Before the first use, make sure that water does not contain excessive levels of pool chemicals, especially chlorine. If the level of chlorine exceeds the permissible concentration limit value, do not use the pool.

There are two possible solutions to this problem:

- Wait until the excessive amount of chlorine has been neutralized.
- Replace a part of the water with the new one. Clean water will reduce the chlorine concentration.

4. Safety



Do not swim behind the ladder (the hazard of being blocked).

Do not use sharp objects which may damage the pool liner.

Do not seat and walk on terrace planks.

Do not jump into the water.

Do not leave children without supervision while bathing in the pool.



If the pool is left unused, we recommend taking the ladder off to prevent children from uncontrolled access to the pool.

5. Wooden structure



PROPERTIES

Wood is a natural, hygroscopic raw material which is vulnerable to abrupt changes of temperature and humidity.

Strong and long-term sunlight may cause cracks and the material turning grey (regular preservation reduces this risk!).

Wooden elements subject to long-term moistening may increase their minimum dimensions. Difference in dimension of up to 3–4% is a natural phenomenon.

Microcracks, and even slight tongue damages, are not a cause of concern and do not affect stability of the construction after the installation.

Knots are natural wood features: their number, appearance and size may vary from plank to plank.

Planks may also have varied growth rings and shades. Wood discolouration results from natural processes and is not regarded as a defect.



PRESERVATION

When bought, the pool structure is vacuum pressure impregnated in the natural chromium-free environment. This is the most effective wood impregnation technique which protects wood against biological agents, such as mould fungi, algae and insects.



Pressure impregnation does not protect wood from UV rays which cause visual damage on the wood surface.

To protect wood from weather, it is advisable to apply preparations intended for the protection of external wooden constructions (e.g. oil scumble which is available in the current offer).

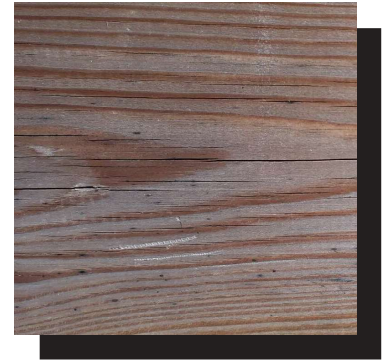
Pool preservation should be performed at least once a year, and for pools subject to extreme weather conditions – even more often.



Fresh wood: after 3-5 days



Wood: after about 6 months



Old wood: after more than 1 year



IMPORTANT : Renewal of pool coating strengthens stability of the constructions, makes wood less vulnerable to twisting, cracking, turning grey and swelling, and keeps the aesthetic appearance of the construction for a long time.



To renew wooden elements containing biological contaminants, such as fungi, algae and other scales, clean the wood with agents available on the market and dry before painting. For elements covered with flaking paint, grind the surface before applying the protective agent.



Failure to preserve the wood structure once a year results in the loss of the guarantee.



POSSIBLE PROBLEMS DURING USE

Problem

Cause and proposed solution



Terrace planks do not adhere to each other



CAUSE:

- Terrace planks were installed before the pool was filled with water.

- Improper distribution of terrace planks/internal and external planks were switched.



SOLUTION:

- Remove the planks, set in a proper position and reattach.



LARGE cracks between planks of the walls



Small cracks result from a natural wood drying process and are not regarded as a defect.



CAUSE:

- Middle planks were not properly installed.



SOLUTION:

- Disassemble the pool structure and re-install following the instructions.

- If the pool construction contains 2t steel brackets, make sure their distribution is correct.



White resin stains



CAUSE:

- Resin spilled on the planks results from a strong sunlight which warms up the wood and makes the resin leak..



SOLUTION:

- Clean the stains with a natural solvent, e.g. turpentine. Very large and dry stains can be ground with emery paper along the planks.

- Next, preserve the pool again with the adequate protective agent for the exterior wood.



Vertical brackets protrude from the pool walls



CAUSE:

- Screws were distributed not in line with the instructions or screws of incorrect length were used.

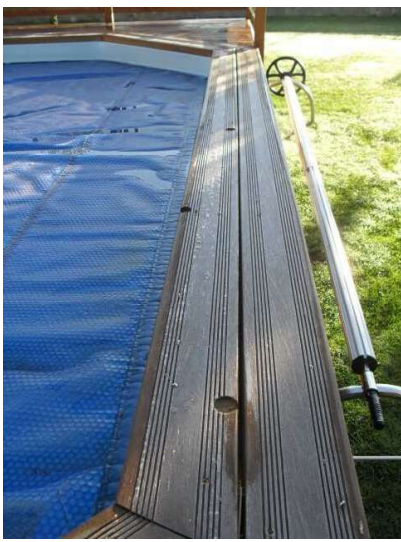
- Forces influencing the pool pulled the screws out of the bracket.



SOLUTION:

- Refer to the instructions to check how to attach the brackets and what type of screws fit them.

- Empty water from the pool, remove the liner and the fabric, and tighten the bracket again in a correct way. It is also advisable, if needed, to tighten the screws in places other than before and secure the previous openings to avoid liner damage.



Coatings of the knots fall out



The occurrence of knots is a natural phenomenon and does not reduce structure stability in any way. Their number and size vary from item to item. When installing terrace planks, always ensure that the coated knots are located on the underside of a plank. It improves aesthetics and increases comfort of use. Planks of the structure should be installed with the coated side inward.



SOLUTION:

- Coatings which fell out can be attached with any wood glue for external applications available in technical stores. If coatings are lost or damaged, it is possible to order the new ones.



Decline of the pool walls



CAUSE:

- One of the supporting elements is damaged.
- The ground on which the pool is situated is not precisely levelled.



SOLUTION:

- Examine the brackets and the ground level.
- Replace damaged parts to prevent progressive damage of the structure.



Cracks



Slight cracks result from natural wood drying process and are not regarded as a defect. They do not affect structure stability. Regular preservation reduces the risk of cracks (refer to the offer of oil scumble).



SOLUTION:

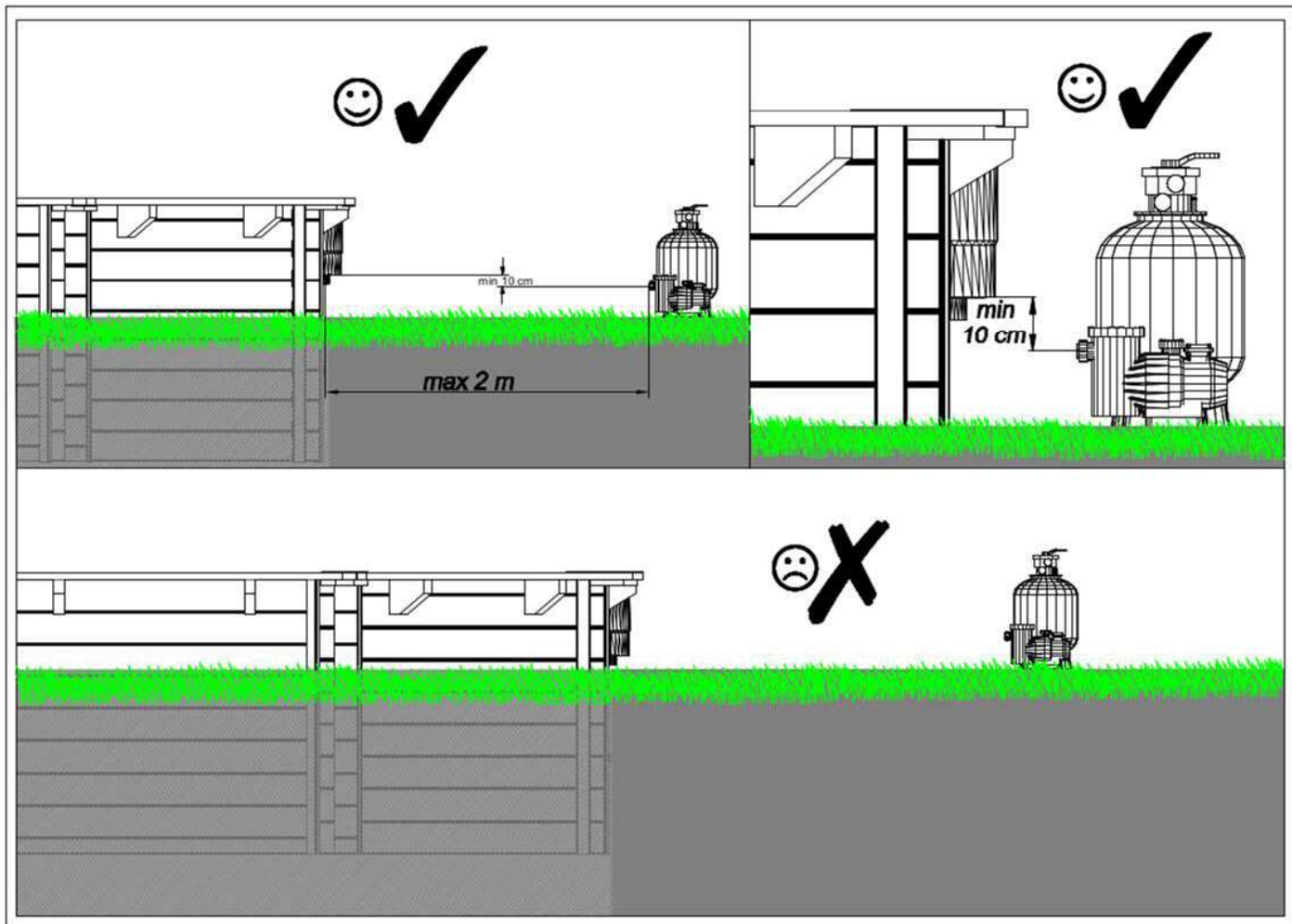
- Secure the structure with wood preservatives to form a hydrophobic layer which reduces the occurrence of surface cracks.

6. Filter kit

Placing the pump and the filtration system in line with the bottom of the pool is optimal. In case of in-ground pools installation above the bottom the pool is permissible under 3 conditions:

- 1) A convenient and safe access to filtration systems from the top or the side is ensured and also a proper air circulation must be ensured. If the filtration set is placed in dedicated pool coffer, a safe and easy access to the door and coffer hatch must be ensured.
- 2) The pump and the filter are placed not higher than 10 cm below the bottom line of the skimmer (see drawing).
- 3) The distance between the filtration system and the skimmer is not greater than 2 meters.

The pump should be protected against water splash, flooding and moisture, and should be stored in a dry and well-ventilated room. We recommend using filter kit boxes (available in the pool offer).



7. Pool foil and water clarity



REMEMBER: Any form of care for water clarity enhances the comfort of use!

Before the pool is filled up with the specific kind of water, it is advisable to take a water sample to determine its parameters and be able to choose appropriate cleaning agents.



SALTWATER

It is not possible to use salt water in the pool because neither liner nor filtration installation is suitable to use it. Salt water can damage parts of the filtration pump.

To ensure durability and good appearance of the liner, use only professional pool chemicals in proportions consistent with the manufacturer's recommendations. Improper dosage (in particular, excessive doses of chemicals) has a negative effect on the pool foil and may cause local discoloration of the pool foil.

Pool tablets should be never put directly in the pool. Proper dosage may be ensured by using dosing buoys or placing chemicals (tablets) inside the skimmer. Liquid chemicals should be dissolved in a water container and poured gradually into the pool to prevent local build-up.

The purity of the liner is especially important near the water line. This is where dirt, scale and chemical residue (e.g. suntan cream) are likely to accumulate. Regular cleaning with the dedicated brush and special agents prevents the occurrence of permanent stains and discoloration.

If the pool chemistry is used properly and the pool is kept clean, it is not necessary to replace water in the pool.

Pool foils are relatively thick and durable. However, be cautious when installing and using the pool, e.g. do not use sharp objects.

The complete draining down the pool and leaving the liner without water is not recommended.

□ 8. Winter preparation □

The proper preparation of the pool for the winter season is essential for maintaining the pool foil in a good condition. If carefully secured in the autumn, the pool does not have to be cleaned and prepared for the bathing season for a long time.

The first step is to drain water from the pool up to the level below the skimmer and open the drain valve to remove all the water of the filter system. During winter, store the filter pump in a warm room. It is advisable to control the amount of water in the pre-filter (skimmer) and empty it regularly, e.g. after heavy rains.



If there is a risk of water freezing, secure the inflow nozzle!

Normally, to ensure the optimal water filtration, inflow nozzles are installed on the third/fourth layer of the structure. In countries where the risk of water freezing and thus plastic damage is high, two solutions are suggested:

- When installing the structure, fix the board with the inflow nozzle opening on any of higher layers. To secure the pool for the winter season, drain the pool to the level below the nozzle.
- Use plugs which cut off water supply to the inside of the inflow nozzle.

Note that the external side of the nozzle must be thoroughly dried. To protect pool walls from damage due to expanding ice, we recommend putting a few objects, e.g. empty plastic bottles, into the pool to absorb the force of expanding ice.

We suggest supplementing the remaining water with professional pool chemicals for winter purposes. The proportions should be consistent with the manufacturer's recommendations.

After the usage period, pull the internal ladder out of the water. If left in place during winter, it can become damaged or hinder the installation of possible winter cover.

We recommend using pool covers which prevent pool contamination.



Enjoy our products.



WARRANTY

(valid only with the proof of purchase)

NOTE: NO ANNUAL STRUCTURE MAINTENANCE LEADS TO THE LOSS OF WARRANTY !!!

WOODEN STRUCTURE CL IV – 5 years from the date of purchase	
<i>The warranty covers</i>	<i>The warranty does not cover</i>
Protection of wood against insect and fungi, under the condition of annual maintenance of wooden structure using means of protection available for sale (impregnates, paints, varnishes, etc.). Manufacturing defects and missing structural elements <i>(valid only before refitting).</i>	Natural deformation and wood discolouration: cracks, gaps, deformations destruction of the product damages caused by poor ground preparation Damages, defects and accidents due to improper storage, assembly and use Deformations caused by prolonged exposure to the sun Excessive wood drying causing structural damage Resin leaks (natural wood property)

FITTINGS	
<i>The warranty covers</i>	<i>The warranty does not cover</i>
Manufacturing defects and missing components <i>(valid only before refitting).</i>	Corrosion Damages resulting from improper operation during installation and use

LINER – one year from the date of purchase	
<i>The warranty covers</i>	<i>The warranty does not cover</i>
Welds Tightness <i>(subject to the observance of assembly, use and maintenance conditions)</i>	Folds Discolouration Tearing the liner during the assembly or use



INTERLINE

Interline
Hanzeweg 17
3771 NG Barneveld
Nederland



0900-0401600 €1 per minute



0904-82045 €2 per minute



info@interline-products.nl



www.interline-products.com

interhiva

spa's • zwembaden • sauna's

BENUTZERHANDBUCH



INTERLINE

www.interline-products.com





Vor dem Bau und der Benutzung des Schwimmbeckens werden sämtliche Informationen in dieser Anleitung sorgfältig gelesen, verstanden und befolgt. Diese Warnhinweise, Anleitungen und Sicherheitsrichtlinien umfassen einige allgemeine Risiken in Bezug auf Freizeitbeschäftigung im Wasser, sie können jedoch nicht sämtliche Risiken und Gefährdungen in allen Fällen behandeln. Bei jeglicher Aktivität im Wasser wird Vorsicht, gesunder Menschenverstand und gutes Urteilsvermögen walten gelassen.

Diese Angaben werden für die spätere Nutzung aufbewahrt.

Sicherheit von Nichtschwimmern

- Es ist jederzeit eine ständige, aktive und wachsame Beaufsichtigung schwacher Schwimmer und Nichtschwimmer durch eine sachkundige erwachsene Aufsichtsperson erforderlich (es wird daran erinnert, dass das größte Risiko des Ertrinkens bei Kindern unter 5 Jahren besteht);
 - Es wird eine sachkundige erwachsene Person bestimmt, die das Becken überwacht, wenn es benutzt wird;
 - Schwache Schwimmer oder Nichtschwimmer sollten persönliche Schutzausrüstung tragen, wenn sie ins Schwimmbecken gehen;
- Wenn das Schwimmbecken nicht benutzt oder überwacht wird, werden sämtliche Spielsachen aus dem Schwimmbecken und seiner Umgebung entfernt, um zu verhindern, dass Kinder davon angezogen werden.

Sicherheitsvorrichtungen

- Es wird empfohlen, eine Absperrung zu errichten (und sämtliche Türen und Fenster zu sichern, sofern zutreffend), um unberechtigten Zutritt zum Schwimmbecken zu vermeiden;
- Absperrungen, Beckenabdeckungen, Alarmanlagen oder ähnliche Sicherheitsvorrichtungen sind sinnvolle Hilfsmittel, ersetzen jedoch keine ständige und sachkundige Überwachung durch erwachsene Personen.

Sicherheitsausrüstung

- Es wird empfohlen, Rettungs-ausrüstung (z. B. einen Rettungsring) in der Nähe des Beckens aufzubewahren;
- Ein funktionierendes Telefon und eine Liste von Notrufnummern werden in der Nähe des Schwimmbeckens aufbewahrt.

Sichere Nutzung des Schwimmbeckens

- Sämtliche Nutzer, insbesondere Kinder, werden dazu ermuntert, schwimmen zu lernen;
- Erste Hilfe (Herz-Lungen-Wiederbelebung) erlernen und diese Kenntnisse regelmäßig auffrischen. Das kann bei einem Notfall einen lebensrettenden Unterschied ausmachen;
- Sämtliche Beckenbenutzer, einschließlich Kinder, anweisen, was in einem Notfall zu tun ist;
- Niemals in flaches Wasser springen. Das kann zu schweren Verletzungen oder zum Tode führen;
 - Das Schwimmbecken nicht benutzen, wenn man unter dem Einfluss von Alkohol oder Medikamenten steht, welche die Fähigkeit zur sicheren Nutzung des Beckens beeinträchtigen können;
- Wenn Beckenabdeckungen verwendet werden, dies vor dem Betreten des Schwimmbeckens vollständig von der Wasseroberfläche entfernen;
- Die Nutzer des Schwimmbeckens werden vor durch das Wasser verbreiteten Krankheiten geschützt, indem das Wasser stets aufbereitet und hygienisch unbedenklich gehalten wird. Die Richtlinien zur Wasseraufbereitung in der Gebrauchsanleitung werden zu Rate gezogen;
 - Chemikalien (z. B. Produkte für die Wasseraufbereitung, Reinigung oder Desinfektion) außerhalb der Reichweite von Kindern aufbewahren;
 - Die nachstehenden Zeichen werden verwendet;
 - Abnehmbare Leitern müssen auf einer waagerechten Fläche aufgestellt werden.



Lieber Schwimmbad Besitzer



**Bitte lesen Sie dieses Handbuch
sorgfältig durch.**

**Befolgen Sie die Regeln, um den
Pool sicher zu nutzen.**

**Bei Fragen wenden Sie sich bitte
an Ihren Händler.**

**Die Beschilderung muss an prominenter Stelle angebracht sein
innerhalb von 2m des Pools.**



Nicht springen



Persönliches Auftriebsmittel tragen



**Kinder im Wasser und der Wassenumgebung
stets beaufsichtigen**

1. Vor der Montage



Machen Sie sich mit den Hinweisen in diesem Handbuch und der mitgelieferten Montageanleitung vertraut. Sollte keine Anleitung beiliegen, kontaktieren Sie den Händler.



Überprüfen Sie alle Bauteile auf Quantität und Qualität. Eventuelle Reklamationen melden Sie vor der Montage.



Das Paket soll vor der Montage an einem trockenen Ort aufbewahrt werden, der für eine ausreichende Luftzirkulation sorgt und vor schädlichen Witterungseinflüssen (Sonne, Niederschläge) schützt.

Nicht unter Abdeckung an einem sonnenbestrahlten Ort aufbewahren. Ausgepackte Holzteile sollen sorgfältig gelagert werden und nicht direkt der Sonneneinstrahlung und dem Wasser ausgesetzt sein.



Holz als hygroskopischer Werkstoff hat die Eigenschaft, die Umgebungsfeuchte aufzunehmen oder abzugeben. Durch die Kesseldruckimprägnierung Klasse 4, Lagerung und Transport können die Holzbauteile Restfeuchte enthalten. Diese Restfeuchte im Holz hat keinen Einfluß auf die Festigkeit und stellt keinen Mangel dar. In seltenen Fällen kommt es vor, dass sich Schimmel an der Oberfläche des Holzes befindet, durch die Kesseldruckimprägnierung leidet die Qualität des Holzes nicht.



Nach dem Auspacken soll der Pool innerhalb von 72 Stunden montiert werden.



Vor der Montage der Struktur bedecken Sie alle Holzteile mit Öl oder sichern Sie sie mit anderen auf dem Markt verfügbaren Mitteln ab. **Ohne angemessenen Schutz wird das Holz grau und rissanfällig – siehe Punkt „HOLZSTRUKTUR – KONSERVIERUNG“.**

2. Montage

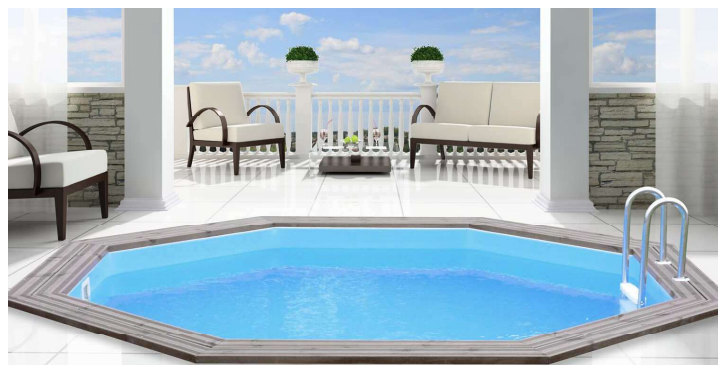


Zur Montage des Pools werden benötigt:

- 2 Personen
- ein Werkzeugset nach der Liste in der Montageanleitung



Halten Sie sich bei der Montage immer an die dem Paket beiliegende Anleitung. WICHTIG: In elektronischer Form erhaltene Anleitungen dienen nur zur Veranschaulichung.



Montieren Sie den Pool nicht auf einem Balkon oder einer Terrasse, oder an Orten, deren Struktur für solche Belastung nicht geeignet ist. Nichtbeachtung der Empfehlungen kann zu einer Baukatastrophe führen!

Der Pool ist nur für den privaten Gebrauch in Hausgärten bestimmt. Der Standort soll so gewählt werden, dass nahe gelegene Bäume, elektrische Leitungen oder andere feste Gebäudeteile die Konstruktion des Pools und seine Nutzer nicht gefährden.

Die Struktur soll nicht in der Nähe von Orten, an denen Chemikalien (Lager von Dünger, Müllkippen, Chlor) und biologisch aktive Stoffe (z. B. Kompostanlage) in einer konzentrierten Menge auftreten.



VORBEREITUNG DES UNTERGRUNDS

- betrifft alle Montageverfahren

Der Untergrund, auf dem der Pool steht, muss stabil, hart, flach und auf seiner gesamten Oberfläche absolut eben sein. Dies verhindert eine ungleichmäßige Verteilung der Wasserkräfte, was sehr oft zu Schäden an der Struktur führt (Verziehen).

Der Standort des Pools darf nicht durchfeuchtet sein oder periodischen Überschwemmungen mit Oberflächengewässern ausgesetzt sein.

Der Pool soll nicht auf losem, sandigem Untergrund stehen. Wenn das Gelände sich auf einer geneigten Fläche befindet (Abhang, Neigung), soll die Holzkonstruktion im Boden verankert werden, damit der Pool nicht abrutscht.

Bei Modellen, die einen Betonuntergrunderfordern, sollen die Montageanleitungen für die Verteilung der Stahlstützen ausnahmslos beachtet werden.



Wir empfehlen, den Betonestrich von einem Fachunternehmen ausführen zu lassen.

Arten der Montage

Auf dem Boden

Teilweise versenkt

Völlig versenkt

Im Außenbereich

Bedacht

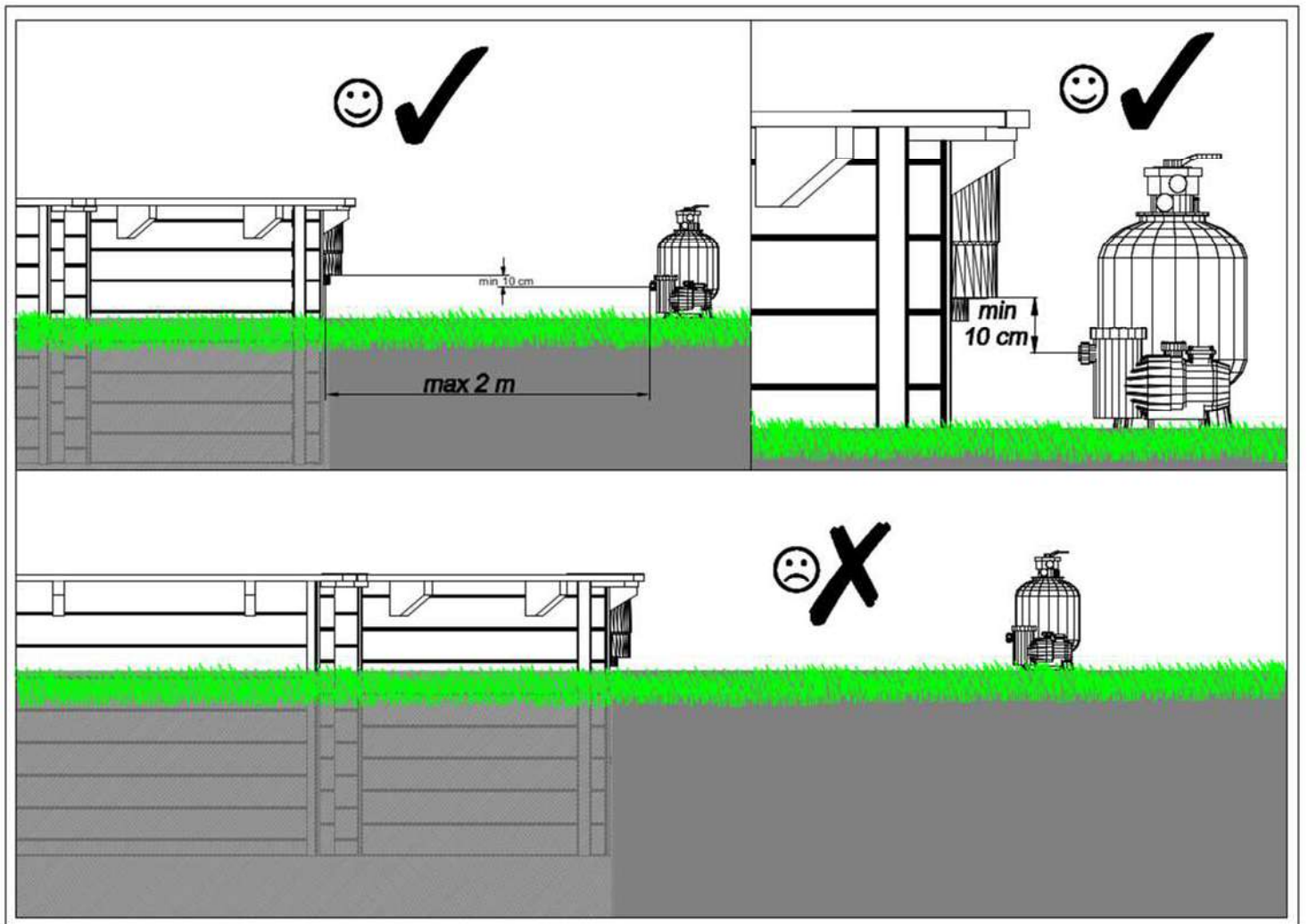
Im Innenbereich



Im Fall einer Montage mit (teilweiser oder völliger) Versenkung des Pools soll folgendes beachtet werden:

Die Pumpe und die Filterelemente können über dem Beckenboden angebracht werden. Zur Aufrechterhaltung der Effizienz des Systems müssen drei Bedingungen erfüllt werden:

- 1) Der sichere und bequeme Zugang zu Filtersystemen von oben oder von der Seite sollte gewährleistet sein, und die Luftzirkulation sollte gewährleistet sein. Wenn Sie das Filterset in speziellen Truhe platzieren, sollten Sie einen einfachen und sicheren Zugang zu den Türen und Klappen der Truhe gewährleisten.
- 2) Die Pumpe und der Filter werden nicht höher als 10 cm unterhalb der unteren Linie des Skimmers angebracht (vgl. die nebenstehende Abbildung).
- 3) Der Abstand zwischen dem Filtersystem und dem Skimmer darf 2 Meter nicht überschreiten.



- Es ist notwendig, die Holzkonstruktion mit einem Feuchtigkeitsschutzmittel zusätzlich abzusichern (empfohlen wird eine Öllasur) und Baufolie mit einem Versickerungssystem zu verwenden, um den direkten Bodenkontakt des Beckens zu verhindern (der Montageplan eines versenkten Pools ist der Montageanleitung beigelegt).

- Die Konstruktion muss unbedingt vor Regenwasser, Baumwurzeln und direktem Bodenkontakt abgesichert werden, bei dem unerwünschte biologische Faktoren auf das Holz ungünstig wirken können (detaillierte Informationen finden Sie in der Montageanleitung).

Bei einer Montage im Innenbereich beachten Sie insbesondere:

- Die Gewährleistung der richtigen Raumlüftung – Belüftung mit höherer Leistung, angepasst an die Abdampfung von Wasser.
- Die Anpassung der richtigen Beleuchtung.
- Die Vorbereitung von geeigneten Installationen oder Lösungen, falls das Entleeren des Pools notwendig ist.

Bei Montage an einem bedachten Ort beachten Sie insbesondere:

- Die Abmessungen des Daches müssen den ordnungsgemäßen Betrieb des Pools ermöglichen.
- Die Dachkonstruktion muss stabil sein und darf die Poolbenutzer auf keinen Fall gefährden.
- In einem beschatteten Pool erwärmt sich das Wasser langsamer.



MONTAGE DER HOLZKONSTRUKTION

Damit die Nut-Feder-Verbindungen in den Brettern genau passen und die Federn nicht geschädigt werden, verwenden Sie während der Montage den mit den Holzteilen gelieferten Durchtreiber. Ein direktes Anschlagen der Feder- und Nut-Teile ist unzulässig. Auf diese Weise entstandene Schäden verhindern den Zusammenbau der einzelnen Teile oder schwächen ihre Festigkeit.

Bei kleinen Windungen der Bauteile (aufgrund der besonderen Holzmerkmale sind sie kein Mangel), versuchen Sie solche Bauteile an verschiedenen Stellen anzuordnen, um sie möglichst bestens in der Konstruktion einzupassen.

Bei Bauteilen mit Querholzplättchen versuchen Sie das Teil so anzupassen, dass es sich auf der inneren (unsichtbaren) Seite der Poolkonstruktion befindet.



Beschädigte Komponenten sollen nicht eingebaut werden.

Alle konstruktiven Bauteile sollen sich an einem geeigneten, in der Anleitung definierten Ort befinden. Eigenmächtige Änderung der Montageart führt zum Verlust der Gewährleistung und kann Beschädigungen des Pools verursachen.

Es empfiehlt sich, die Terrassenbretter nach dem Auffüllen des Pools mit Wasser zu montieren. Um die Ästhetik zu verbessern, empfiehlt es sich, die Terrassenbretter innerhalb von 1-2 Wochen nach dem Auffüllen des Pools zu entfernen und neu aufzulegen.

Um die ästhetische Wirkung zu erhöhen und insbesondere die Gefahr zu reduzieren, dass die Terrassenbretter auseinandergehen, und scharfe Kanten zu verdecken, empfiehlt es sich, Blenden zu montieren. Die Blenden sind aus Edelstahl oder Kunststoff (erhältlich im Poolangebot).

3. Erstinbetriebnahme

Beachten Sie die Regeln für den korrekten elektrischen Anschluss der Pumpe. Die Verbindung muss geerdet sein und die Sicherheitsanforderungen für Gartenanschlüsse nach den ortsüblichen Vorschriften erfüllen. Die Kabel des Filtersets müssen so montiert werden, dass sie keine Gefahr für die Poolbenutzer darstellen.

Der Anschluss soll sicher vorbereitet sein und gleichzeitig die tägliche Bedienung erleichtern. Es empfiehlt sich, dass die Vorbereitung des Anschlusses von einer Elektrofachkraft mit entsprechenden Berechtigungen vornehmen zu lassen.

Bei der Erstinbetriebnahme des Filtersystems muss darauf geachtet werden, dass das Filterset ordnungsgemäß funktioniert, dass Wasser fließt und dass keine Überspannung auftritt.



Es ist strengstens verboten, den Pool bei festgestellter Überspannung zu benutzen.

Stellen Sie vor dem ersten Gebrauch des Pools sicher, dass Wasser keine übermäßige Konzentration an Poolchemikalien, insbesondere an Chlor, aufweist. Wenn der Chlorgehalt den zulässigen Grenzwert überschreitet, soll der Pool nicht benutzt werden.

Im vorgenannten Fall können zwei Lösungen verwendet werden:

- Abwarten, bis sich das überschüssige Chlor selbst neutralisiert hat.
- Vorhandenes Wasser teilweise gegen frisches Wasser ersetzen. Sauberes Wasser senkt die Chlorkonzentration. the new one. Clean water will reduce the chlorine concentration.

4. Sicherheit



- Schwimmen Sie nicht hinter der Leiter (Einklemmgefahr).**
- Verwenden Sie keine scharfen Gegenstände, die die Poolfolie beschädigen können.**
- Setzen Sie sich nicht auf die Terrassenbretter bzw. laufen Sie nicht darüber.**
- Springen Sie nicht ins Wasser.**
- Lassen Sie die Kinder beim Schwimmen im Pool nie ohne Aufsicht.**



Wir empfehlen, die Außenleiter zu entfernen, wenn der Pool nicht benutzt wird, um den unkontrolliertem Zugang von Kindern zum Pool zu verhindern.

5. Holzstruktur



EIGENSCHAFTEN

Als natürlicher, hygroskopischer Rohstoff ist Holz gegenüberdrastischen Temperatur- und Feuchtigkeitsschwankungen empfindlich. Intensive, anhaltende Sonneneinstrahlung kann zur Rissbildung und zum Vergrauen des Materials führen (regelmäßige Konservierung reduziert das Risiko!).

Bei Holzteilen, die andauernd der Feuchtigkeit ausgesetzt sind, können die Nominalabmessungensteigen. Größenunterschiede einzelner Teilebis 3–4 % sind eine natürliche Erscheinung.

Mikrorisse und sogar kleine Schäden an denFedern sind kein Grund zur Besorgnis und beeinträchtigen die Stabilität der Struktur nach der Montage nicht.

Äste sind natürliche Holzbestandteile: Ihre Anzahl, ihr Aussehen und ihre Größe könnenin den einzelnen Brettern unterschiedlich sein.

Einzelne Bretter können sich in Jahresringen und Farbton unterscheiden. Verfärbungen in Holz sind eine Folge natürlicher Prozesse und stellen keinen Mangel dar.



KONSERVIERUNG

DieStruktur eines neu gekauften Pools ist durch Vakuumdruckimprägnierung, die in einer natürlichen, chromfreien Umgebung hergestellt wird, gesichert. Es ist daszuverlässigsteVerfahren der Holzimprägnierung, die vor der Wirkung biologischer Faktoren wie z. B. Schimmelpilze, Algen und Insekteschützt.



Die Druckimprägnierung bietet keinen Schutz vor UV-Strahlen, die visuelle Schäden an der Holzoberfläche verursachen.

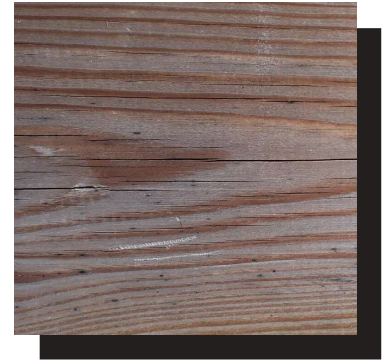
Um Holz vor Witterungseinflüssen zu schützen, empfiehlt es sich, die Holzoberfläche des Pools mit Schutzmitteln für äußere Holzkonstruktionen zu beschichten (zum Beispiel mit einerÖllasur, die im aktuellen Angebot der Firma erhältlich ist). Die Konservierung des Pools soll mindestens einmal pro Jahr und bei Pools, die extremen Wetterbedingungen ausgesetzt sind, sogar häufigerdurchgeführt werden.



Frisches Holz 3-5 Tage



Holz nach ca. 6. Monaten



Über ein Jahr altes Holz

WICHTIG: Die Erneuerung der Poolbeschichtung erhöht die Stabilität der Struktur, verringert die Anfälligkeit von Holz auf Verdrehungen, Rissbildungen, Vergrauung, Schwellung und ermöglicht es, ein sehr ästhetisches Aussehen der Konstruktion über eine lange Zeit zu erhalten.



Bei Erneuerung von Holzteilen, an denen biologische Verunreinigungen wie Pilze, Algen oder andere Rückstände auftreten, soll Holz mit den auf den marktüblichen Mitteln vor dem Anstrich gereinigt und getrocknet werden. Bei Teilen z. B. mit abblätternder Farbbeschichtung, soll die Oberfläche vor dem Auftragen eines Schutzmittels verschliffen werden.



Nichtbeachtung der jährlichen Holzkonservierung führt zum Verlust der Gewährleistung!



POTENTIELLE PROBLEME, DIE WÄHREND DER BENUTZUNG AUFTRETEN KÖNNEN

Problem

Ursachen und vorgeschlagene Lösung



Terrassenbretter liegen nicht dicht aneinander



URSACHEN:

- Die Terrassenbretter wurden vor dem Auffüllen des Pools mit Wasser montiert.

- Falsche Anordnung der Terrassenbretter / Verwechslung der Innen und Außenbretter.



LÖSUNG:

- Bretter abschrauben, richtig einstellen und wieder festmachen.



GROSSE Spalten zwischen den Wandbrettern



Kleine Spalten sind eine Folge der natürlichen Trocknung von Holz und stellen keinen Mangel dar.



URSACHEN:

- Die mittleren Bretter wurden während der Montage nicht richtig zusammengebaut.



LÖSUNG:

- Poolstruktur demontieren und nach der Anleitung erneut montieren.

- Wenn die Poolkonstruktion über 2T-Metallträger verfügt, überprüfen Sie, ob sie korrekt angeordnet sind.



Weißer Harzflecken



URSACHEN:

- Harzaustritte auf der Brettoberfläche, verursacht durch eine starke Sonneneinstrahlung, die das Holz erhitzt und zum Harzaustritt führt.



LÖSUNG:

- Harzaustritte mit einem natürlichen Lösungsmittel z. B. Terpentin entfernen. Großflächig ausgetretenes, ausgetrocknetes Harz kann mit Schleifpapier entlang der Bretter vorsichtig abgeschliffen werden.

- Den Pool mit einem geeigneten Holzmittel für Außenwendungen erneut konservieren.



Vertikale Träger stehen von den Poolwänden ab



URSACHEN:

- Die Schrauben wurden nicht gemäß der Anleitung angeordnet oder es wurden Schrauben mit ungeeigneter Länge verwendet.

- Die auf den Pool wirkenden Kräfte verursachten das Herausreißen der Schrauben aus dem Träger.



LÖSUNG:

- Die Montageabläufe in der Anleitung und den Schraubentyp, der zu diesem Bauteil gehört, überprüfen.

- Wasser aus dem Pool ablassen, die Poolfolie und das Vlies entfernen, den Träger wieder richtig anschrauben. Ggf. wird auch empfohlen, die Schrauben an anderen Stellen als ursprünglich zu befestigen und die alten Löcher zu sichern, um eine Beschädigung des Liners zu vermeiden.



Ausfallende Querholzplättchen



Äste sind ein natürliches Phänomen und beeinträchtigen keinesfalls die Stabilität der Struktur. Einzelne Teil unterscheiden sich voneinander in der Anzahl und Größe. Bauen Sie immer Terrassenbretter so ein, dass die ausgeflickten Astlöcher sich auf der Unterseite befinden. Dies verbessert die Ästhetik und den Komfort bei der Nutzung des Pools. Strukturbretter sollen mit der ausgeflickten Seite nach innen montiert werden.



LÖSUNG:

- Herausgefallene Querholzplättchen können mit beliebigem Holzleim verklebt werden, der für Außenanwendungen bestimmt ist (in Fachgeschäften erhältlich). Wenn die Querholzplättchen verloren gegangen oder beschädigt sind, können neue nachbestellt werden.



Neigung der Poolwände



URSACHEN:

- Eine der Stützen wurde beschädigt.
- Das für den Pool gewählte Gelände wurde nicht genau nivelliert.



LÖSUNG:

- Träger und das Niveau des Untergrundes prüfen.
- Schadhafte Teile ersetzen, um eine weitere Zerstörung der Struktur zu verhindern.



Risse



Kleine Risse in Holz sind eine Folge der natürlichen Trocknung von Holz und stellen keinen Mangel dar. Sie haben keinen Einfluss auf die Stabilität der Struktur. Regelmäßige Konservierung reduziert das Risiko von Rissen (siehe Angebot von Öllasuren).



LÖSUNG:

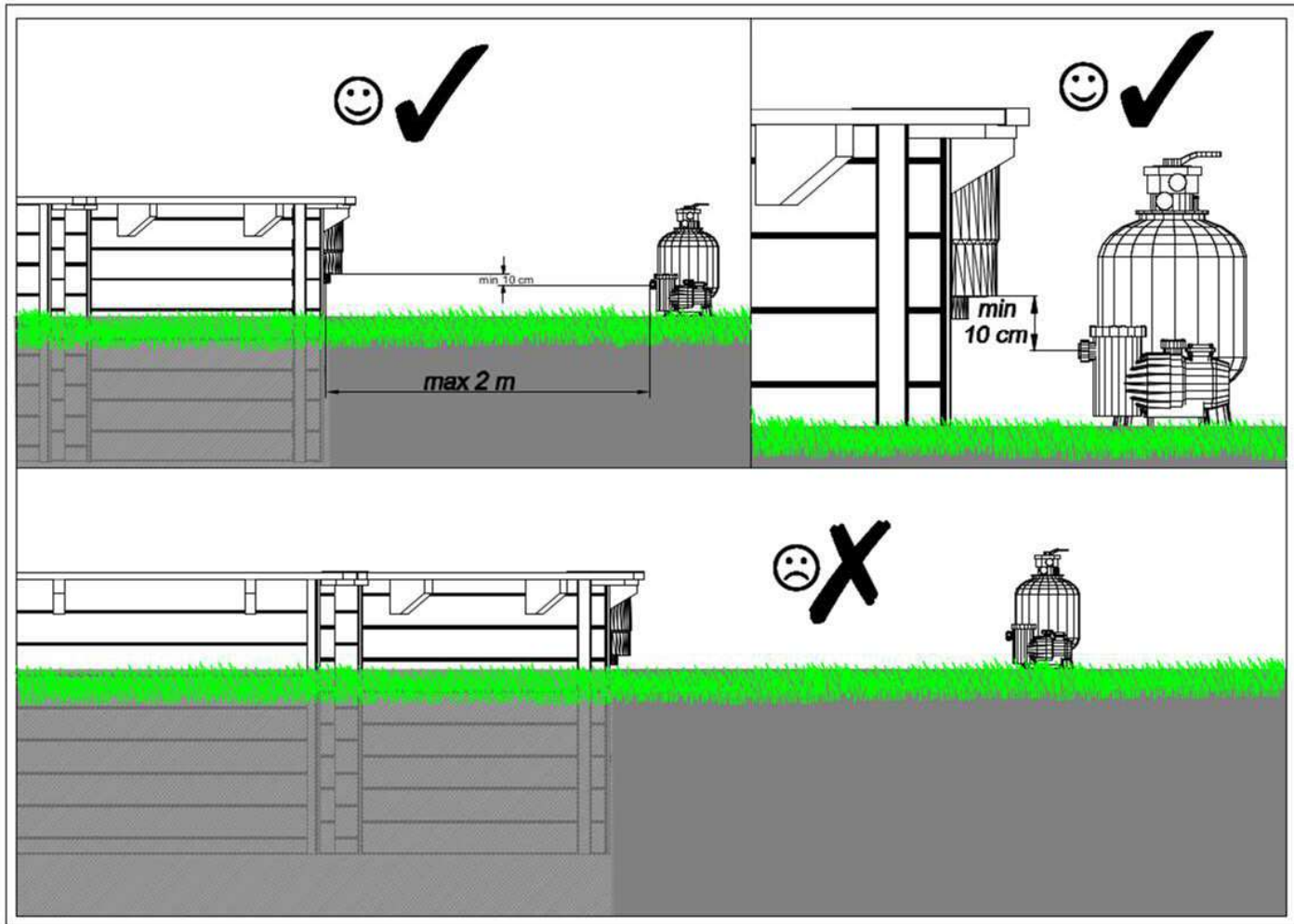
- Absicherung der Struktur mit Holzschutzmitteln, um eine hydrophobe Beschichtung zu erzeugen, die die Entstehung von Oberflächenrissen begrenzt.

6. Filterset

Ideal ist es, die Pumpe und das Filterset auf einem Niveau anzubringen, das mit dem Boden des Pools kompatibel ist. Im Fall von in den Boden eingelassenen Becken ist es zulässig, sie unter Beachtung der drei genannten Bedingungen über dem Boden des Beckens zu installieren:

- 1) Der sichere und bequeme Zugang zu Filtersystemen von oben oder von der Seite sollte gewährleistet sein, und die Luftzirkulation sollte gewährleistet sein. Wenn Sie das Filterset in speziellen Truhe platzieren, sollten Sie einen einfachen und sicheren Zugang zu den Türen und Klappen die Truhe gewährleisten.
- 2) Die Pumpe und der Filter werden nicht höher als 10 cm unterhalb der unteren Linie des Skimmers angebracht (vgl. die nebenstehende Abbildung).
- 3) Der Abstand zwischen dem Filtersystem und dem Skimmer darf 2 Meter nicht überschreiten.

Die Pumpe soll vor Wasserspritzen, Überflutung oder Feuchtigkeit geschützt werden und in einem trockenen und gut belüfteten Raum gelagert werden. **Wir empfehlen die Verwendung von Filterkoffern (im Angebot mit demPool erhältlich).**



7. Poolfolie und Sauberkeit des Wassers



NICHT VERGESSEN: Sauberhalten von Wasser in jeder möglichen Form trägt zum Komfort bei der Nutzung des Pools bei!

Bevor der Pool mit Wasser aus einer bestimmten Quelle gefüllt wird, empfiehlt es sich, eine Wasserprobe zu entnehmen, um die Parameter zu bestimmen, die es Ihnen ermöglichen, das richtige Reinigungsmittel zu wählen.



SALZWASSER - Die Verwendung von Salzwasser ist in einem Swimming-Pool nicht möglich, da weder der Liner noch das Filtersystem für den Einsatz geeignet sind. Salzwasser kann die Komponenten der Filterpumpe beschädigen.

Um Langlebigkeit und gutes Aussehen der Poolfolie zu gewährleisten, ist es wichtig, nur professionelle chemische Mittel im vom Hersteller empfohlenen Mischverhältnis zu verwenden. Falsche Dosierung (insbesondere bei zu hoher Dosis von Chemikalien) schadet der Poolfolie und kann unter anderem zu ihren lokalen Verfärbungen führen.

Pooltabletten sollen nie direkt in den Pool geworfen werden. Ihre korrekte Dosierung kann beispielsweise durch einen Schwimmdosierer oder das Einbringen von Chemikalien (Tabletten) in den Skimmerbehälter gewährleistet werden. Flüssige Chemikalien sollen in einem Behälter mit Wasser gelöst und allmählich in den Pool gegossen werden, sodass sie sich nicht an einer Stelle ansammeln.

Es ist besonders wichtig, die Poolfolie sauber auf der Wasserlinie zu halten. An dieser Stelle lagern sich Schmutz, Stein oder chemische Rückstände (z. B. Sonnencreme) ab. Regelmäßige Reinigung mit einer dazu bestimmter Bürste und speziellen Mitteln verhindert Flecken und Verfärbungen.

Bei richtiger Verwendung von Poolchemikalien und Sauberhaltung muss das Poolwasser nicht gewechselt werden. Die Poolfolien sind relativ dick und langlebig. Seien Sie jedoch vorsichtig, wenn Sie den Pool montieren und benutzen, z. B. verwenden Sie keine scharfen Werkzeuge. Es wird nicht empfohlen, den Pool vollständig zu leeren und die Poolfolie ohne Wasser zu lassen.

8. Einwinterung des Pools

Die richtige Einwinterung des Pools ist für die Erhaltung der Poolfolie in einem guten Zustand ausschlaggebend. Sorgfältige Absicherung des Pools im Herbst macht es möglich, eine lange Reinigung und Vorbereitung vor der Badesaison zu vermeiden.

Im ersten Schritt ist das Wasser aus dem Pool bis zu unterhalb des Skimmers und das gesamte Wasser aus der Filteranlage durch Öffnen des Ablassventils abzulassen. Während der Winterzeit soll die Filterpumpe in einem warmen Raum gelagert werden. Es empfiehlt sich, die Wassermenge im Vorfilter (Skimmer) zu kontrollieren und diesen regelmäßig zu entleeren, z. B. nach einem starken Regen.



Besteht die Gefahr, dass Wasser im Pool einfriert, muss die Einlaufdüse gesichert werden!

Üblicherweise sollen die Einlaufdüsen – um die beste Wasserfiltration zu gewährleisten – in der dritten/vierten Lage der Holzstruktur montiert werden. In Ländern, in denen das Risiko des Gefrierens von Wasser und somit der Beschädigung von Kunststoffteilen hoch ist, werden zwei Lösungen vorgeschlagen:

- Bei der Montage der Struktur, legen Sie das Brett mit dem Loch auf die Einlaufdüse in einer der höheren Lagen und – um den Pool für den Winter abzusichern – entleeren Sie den Pool unter dem Niveau der Düse.
- Verwenden Sie Stöpsel, um den Wasserzulauf zur Innenseite der Einlaufdüse abzusperren.

Beachten Sie, dass die Düse von außen gründlich getrocknet werden muss. Um die Wände des Pools vor Schäden zu schützen, die durch das sich ausdehnende Eis verursacht werden können, empfehlen wir, einige Gegenstände (z. B. leere Kunststoffflaschen) in den Pool zu werfen, die die Kraft, die das Eisvolumen erhöht, absorbieren.

Wir empfehlen, zum verbliebenen Wasser professionelle Poolchemikalien für die Winterzeit im vom Hersteller angegebenen Mischverhältnis hinzuzufügen.

Am Ende der Nutzsaison entfernen Sie die Innenleiter aus dem Wasser. Wenn die Leiter für den Winter gelassen wird, kann sie beschädigt werden und erschwert ggf. das Überspannen der Winterabdeckung.

Wir empfehlen die Verwendung von Poolabdeckungen, um die Verschmutzung des Pools zu verhindern.



Bitte genießen Sie die Produkte.

GARANTIE

(gültig nur mit Kaufbeleg)

ACHTUNG: OHNE JÄHRLICHE WARTUNG DER STRUKTUR ERLISCHT DER GARANTIEANSPRUCH!!!

HOLZSTRUKTUR CL IV – 5 Jahre ab dem Kaufdatum

Die Garantie umfasst:

Schutz des Holzes vor Insekten und Pilzen – unter der Bedingung der jährlichen Konservierung der Holzstruktur unter Verwendung allgemein erhältlicher Sicherungsmittel (Imprägniermittel, Farben, Lacke usw.).
Fabrikseitige Mängel und fehlende Elemente
(ausschließlich vor der Montage).

Die Garantie umfasst nicht:

Natürliche Deformierungen und Verfärbungen des Holzes:
Risse, Sprünge, Durchbiegungen
Zerstörung des Produkts
Beschädigungen durch falsche Vorbereitung des Geländes
Beschädigungen, Mängel und Unfälle durch inkorrekte Aufbewahrung, Montage und Nutzung
Deformierungen durch langanhaltende Sonneneinstrahlung.
Übermäßiges Austrocknen, was zu Beschädigungen der Konstruktion führt.
Harzaustritt (natürliche Eigenschaft des Holzes)

BESCHLÄGE

Die Garantie umfasst:

Fabrikseitige Mängel und fehlende Elemente
(ausschließlich vor der Montage).

Die Garantie umfasst nicht:

Korrosion
Beschädigungen durch inkorrekte Montage und Nutzung

LINER – 1 Jahr ab dem Kaufdatum

Die Garantie umfasst:

Fugen
Dichtheit
(unter der Bedingung der Einhaltung der Anforderungen an Montage, Nutzung und Wartung)

Die Garantie umfasst nicht:

Falten
Verfärbungen
Zerreißen des Liners bei der Montage oder Nutzung



NOTES



INTERLINE

Interline
Hanzeweg 17
3771 NG Barneveld
Nederland



0900-0401600 €1 per minute



0904-82045 €2 per minute



info@interline-products.nl



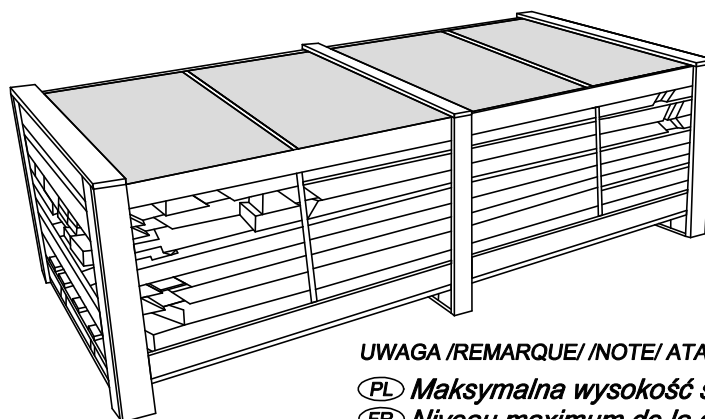
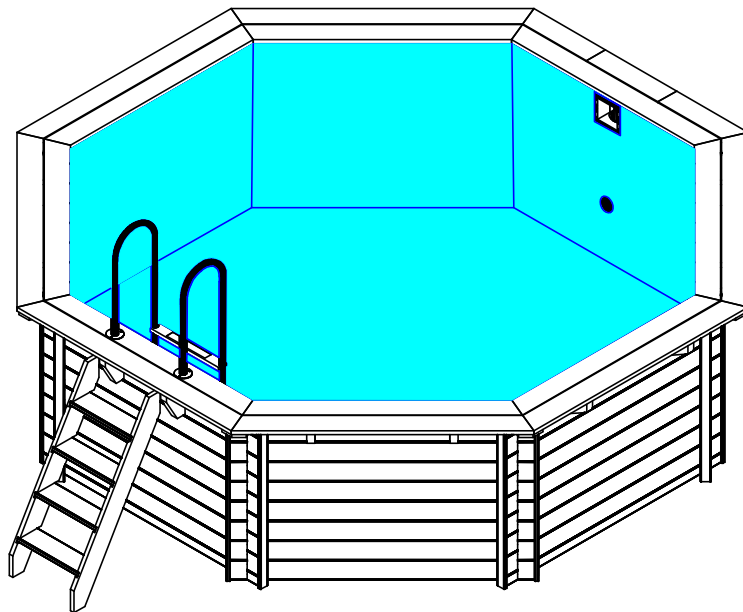
www.interline-products.com

interhiva

spa's • zwembaden • sauna's

INTERLINE

INTERLINE BALI 3,55 x 1,16 m



5 years

Wood warranty

UWAGA /REMARQUE/ /NOTE/ ATATTENZIONE /HINWEIS /LETOP

- PL** Maksymalna wysokość słupa wody ~ 1,00 m
- FR** Niveau maximum de la colonne d'eau ~ 1,00 m
- GB** The maximum water column level ~ 1,00 m
- IT** Livello massimo della colonna d'acqua ~ 1,00 m
- DE** Maximaler Wasserstand ~ 1,00 m
- NL** Maximum niveau waterkolom ~ 1,00 m

- PL** Instrukcja montażu
- FR** Notice de montage
- GB** Assembly instructions
- IT** Istruzioni di montaggio
- DE** Montageanleitungen
- NL** Montage-instructies

Objętość wody w basenie 6.20 m³
Le volume de l'eau dans la piscine 6.20 m³
Water capacity in the pool 6.20 m³
Il volume di acqua in piscina 6.20 m³
Wasserkapazität im Pool 6.20 m³
Watercapaciteit in het zwembad 6.20 m³

(PL) Instrukcja montażu

(GB) Assembly instructions

(DE) Montageanleitung

(FR) Notice de montage

(IT) Istruzioni di montaggio

(NL) Montage-instructies



(PL) Przed przystąpieniem do montażu zapoznaj się z instrukcją.

(FR) Avant le montage lisez attentivement la notice.

(GB) Read carefully pool installation manual before the installation.

(IT) Prima del montaggio é necessario consultare il manuale.

(DE) Lesen Sie das Pool-Installationshandbuch vor der Installation sorgfältig durch.

(NL) Lees zorgvuldig de handleiding van het zwembad voordat u met de installatie begint.

UWAGA / REMARQUE / NOTE / ATATTENZIONE / HINWEIS / OPMERKING

Instrukcja, którą posiadacie Państwo w ręku pokazuje krok po kroku w jaki sposób dokonać właściwego montażu basenu. Dołożyliśmy wszelkich starań, aby przygotować materiały jak najbardziej odzwierciedlające stan faktyczny i wygląd poszczególnych elementów. Jednak proszę pamiętać, że wszelkie rysunki mają charakter poglądowy i istnieje możliwość, że poszczególne elementy dostarczone w Państwa zestawie w rzeczywistości mogą odbiegać wyglądem od ich wizualizacji graficznej zawartej w instrukcji.

(PL)

Le manuel que vous avez entre les mains montre étape par étape comment assembler correctement la piscine. Nous avons fait tous les efforts pour préparer les documents reflétant autant que possible l'état réel et l'apparence des éléments particuliers. Pourtant, il faut savoir que tous les dessins sont présentés à titre de référence et qu'il est possible que les éléments singuliers fournis dans votre kit puissent différer en apparence de leur visualisation graphique incluse dans le manuel.

(FR)

This manual presents the correct assembly procedure for the swimming pool, step by step. We have undertaken all possible efforts to make sure that the materials are as close to the actual items and present their layout as closely as possible. Please remember, however, that all figures are indicative only and individual elements delivered in your set may be different than their graphical visualisations presented in the manual.

(GB)

Le presenti istruzioni spiegano passo dopo passo come montare correttamente la piscina. Abbiamo fatto del nostro meglio per preparare i materiali che rispecchiano il più fedelmente possibile lo stato reale e l'aspetto dei singoli elementi. Occorre però ricordare che le figure hanno carattere illustrativo ed è possibile che i singoli elementi forniti nel Vostro kit avranno l'aspetto diverso dalla loro visualizzazione grafica contenuta nelle istruzioni.

(IT)

Die Ihnen vorliegende Anleitung erläutert Ihnen Schritt für Schritt, wie das Schwimmbecken korrekt montiert wird. Wir haben alles daran gesetzt, die Unterlagen bestmöglich an den tatsächlichen Zustand und das Aussehen der einzelnen Teile anzupassen. Bitte bedenken Sie jedoch, dass alle Zeichnungen nur zu Anschauungszwecken dienen. Deshalb kann es sein, dass einzelne Teile in Ihrem Set anders aussehen, als in der graphischen Visualisierung in der Anleitung.

(DE)

Deze handleiding presenteert stap voor stap hoe u het zwembad op de juiste manier kunt monteren. We hebben er alles aan gedaan om een handleiding te maken die een realistisch beeld weergeeft van de montage en onderdelen.

(NL)

Houd echter wel rekening mee dat alle tekeningen alleen ter referentie dienen en dat het mogelijk is dat de afzonderlijke elementen in uw set kunnen afwijken van de grafische tekeningen in deze handleiding.

(PL) Instrukcja montażu

(GB) Assembly instructions

(DE) Montageanleitung

(FR) Notice de montage

(IT) Istruzioni di montaggio

(NL) Montage-instructies



(PL) Przed przystąpieniem do montażu zapoznaj się z instrukcją. * Bez wylewki betonowej.

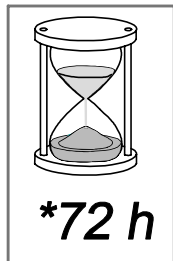
(FR) Avant le montage lisez attentivement la notice. * Sans dalle de béton.

(GB) Read carefully pool installation manual before the installation. * Without concrete base.

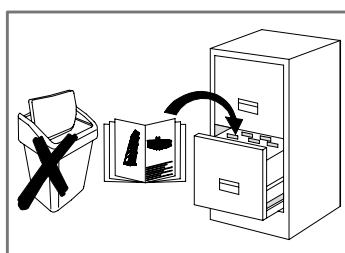
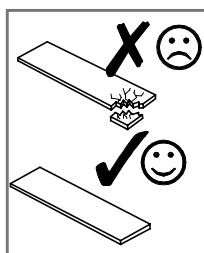
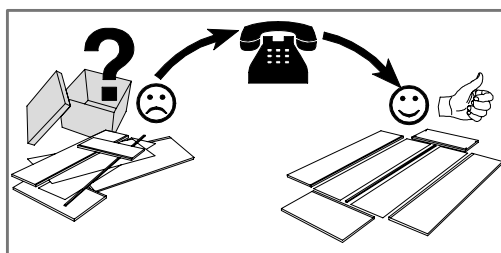
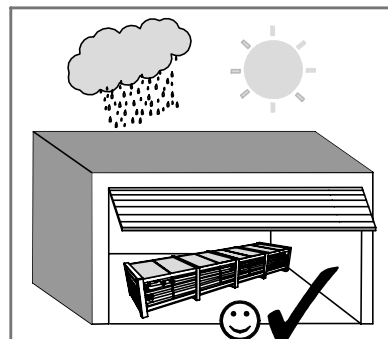
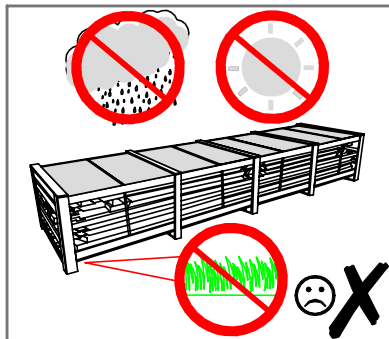
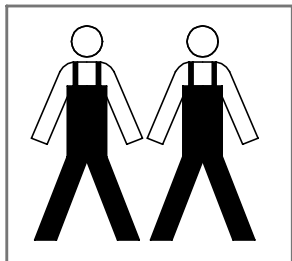
(IT) Prima del montaggio è necessario consultare il manuale. * Senza una lastra di cemento.

(DE) Lesen Sie das Pool-Installationshandbuch vor der Installation sorgfältig durch. * Ohne Betonbasis.

(NL) Lees zorgvuldig de handleiding van het zwembad voordat u met de installatie begint. * Zonder betonnen basis.



*72 h



UWAGA / REMARQUE / NOTE / ATENZIONE / HINWEIS / OPMERKING

(PL) Montaż wykonać w przeciągu 3 dni od rozpakowania struktury.

(FR) Le montage de la structure doit être terminé dans un délai de 3 jours suivant l'ouverture de l'emballage.

(GB) Installation should be finished within 3 days from opening the package.

(IT) Il montaggio effettuare entro 3 giorni dal disimballo della struttura.

(DE) Die Installation sollte innerhalb von 3 Tagen nach dem Öffnen des Pakets abgeschlossen sein.

(NL) De installatie moet binnen 3 dagen na opening van het pakket worden voltooid.



UWAGA / REMARQUE / NOTE / ATENZIONE / HINWEIS / OPMERKING

(PL) Brak corocznej konserwacji struktury powoduje utratę gwarancji.

(FR) En cas de défaut d'entretien annuel de la structure, la garantie est invalidée.

(GB) Lack of once a year conservation of the structure causes loss of warranty.

(IT) Mancanza della manutenzione annuale causa la perdita di garanzia.

(DE) Der Mangel an einmal jährlichem Schutz der Struktur verursacht einen Garantieverlust.

(NL) Het uitblijven van onderhoud aan de constructie eenmaal per jaar zorgt voor verval van de garantie.



UWAGA / REMARQUE / NOTE / ATENZIONE / HINWEIS / OPMERKING

(PL) Nie pozostawiać dzieci bez nadzoru!

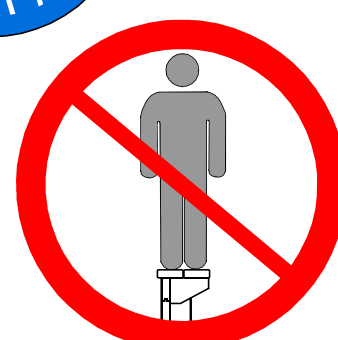
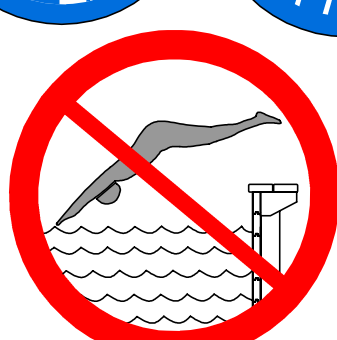
(FR) Ne laissez pas les enfants sans surveillance!

(GB) Do not leave children unattended!

(IT) Non lasciare bambini incustoditi!

(DE) Lassen Sie Kinder nicht unbeaufsichtigt!

(NL) Laat kinderen niet zonder toezicht!



PL Elementy

GB Elements

DE Elemente

FR Les éléments

IT Elementi

NL Elementen



PL Sprawdź ilość oraz czy elementy nie są uszkodzone.

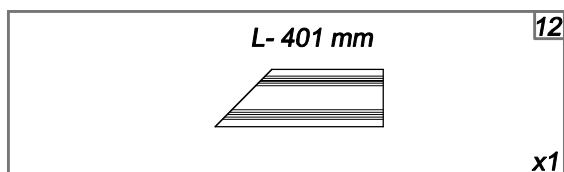
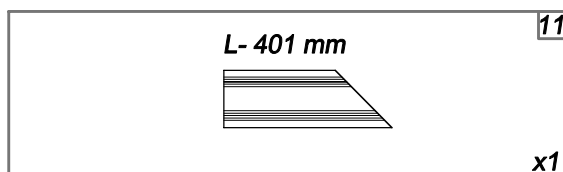
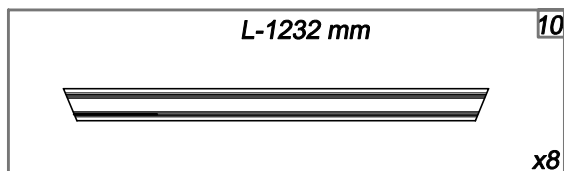
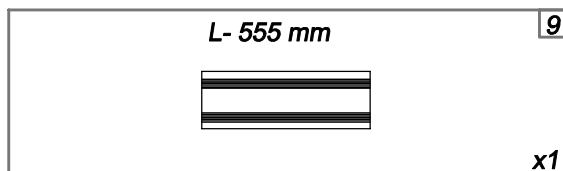
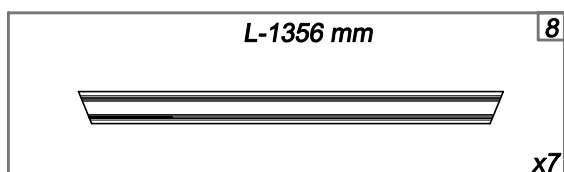
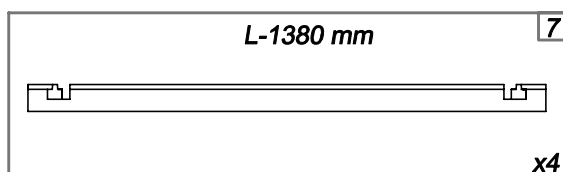
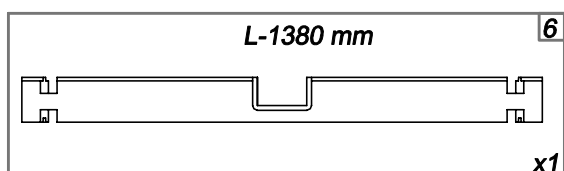
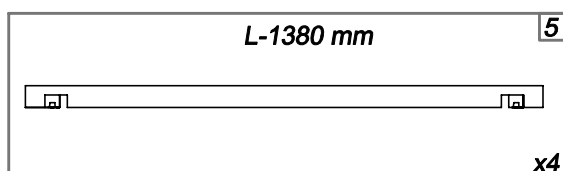
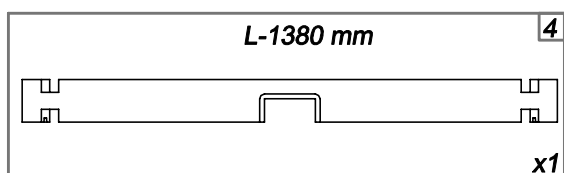
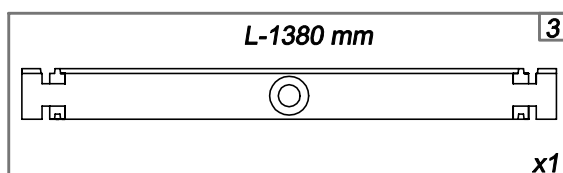
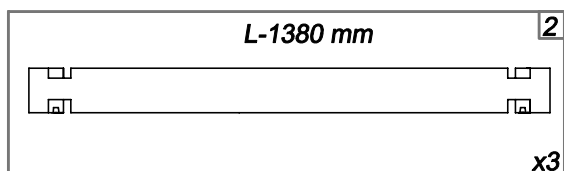
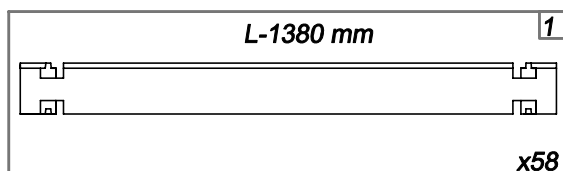
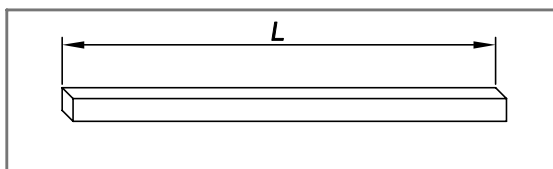
FR Vérifier que les éléments soient au complet (quantité) et qu'ils ne soient pas endommagés (qualité).

GB Check quantity of elements and if they are not faulty.

IT Controllare la quantità e se gli elementi non sono danneggiati.

DE Überprüfen Sie die Anzahl der Elemente und ob sie nicht fehlerhaft sind.

NL Controleer de hoeveelheid elementen en of deze niet defect zijn.



PL Elementy

GB Elements

DE Elemente

FR Les éléments

IT Elementi

NL Elementen



PL Sprawdź ilość oraz czy elementy nie są uszkodzone.

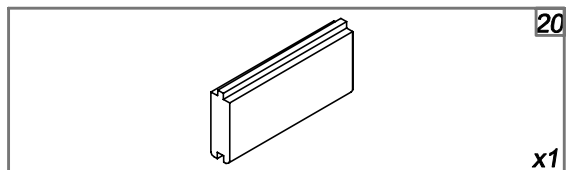
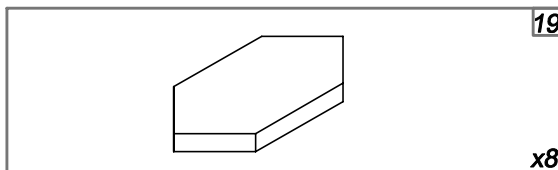
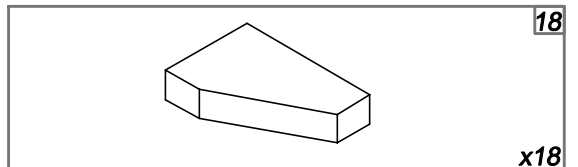
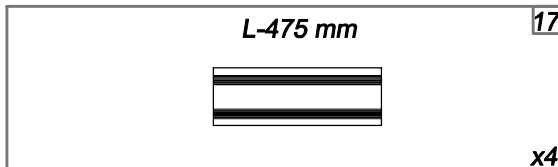
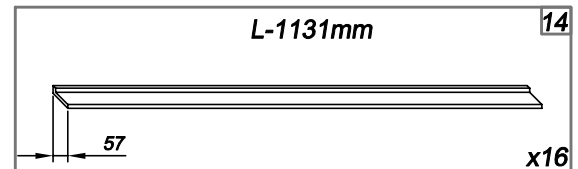
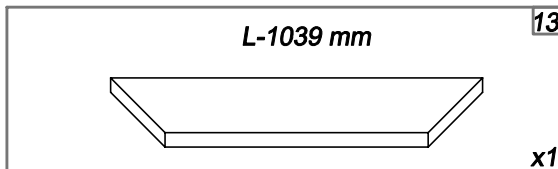
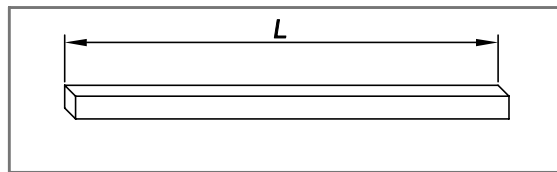
FR Vérifier que les éléments soient au complet (quantité) et qu'ils ne soient pas endommagés (qualité).

GB Check quantity of elements and if they are not faulty.

IT Controllare la quantità e se gli elementi non sono danneggiati.

DE Überprüfen Sie die Anzahl der Elemente und ob sie nicht fehlerhaft sind.

NL Controleer de hoeveelheid elementen en of deze niet defect zijn.



PL Okucia i osprzęt

GB Fittings and equipment

DE Ausstattung und Ausrüstung

FR Quincaillerie et équipement

IT Ferramenti e accessori

NL Fittingen en apparatuur



PL Sprawdź ilość.

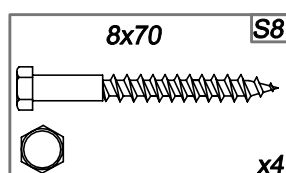
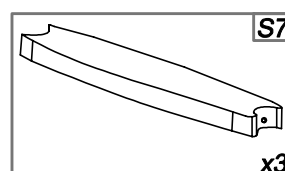
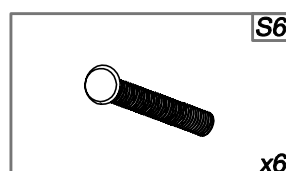
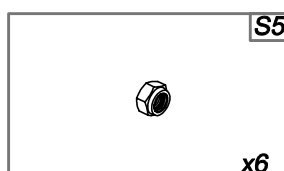
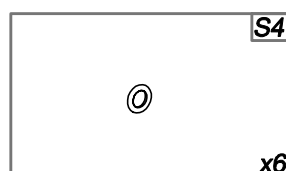
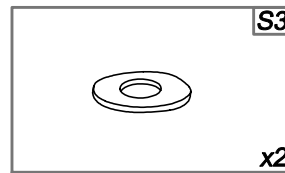
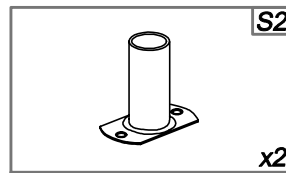
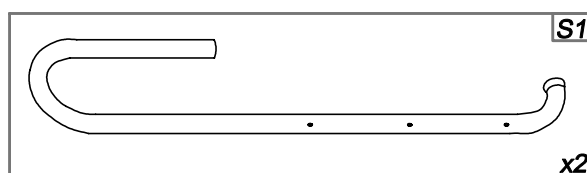
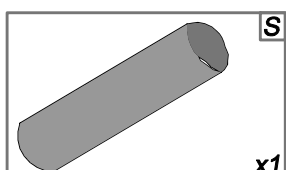
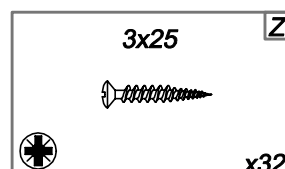
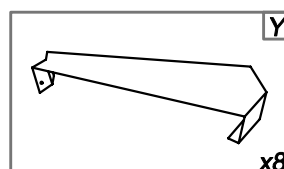
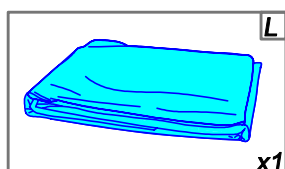
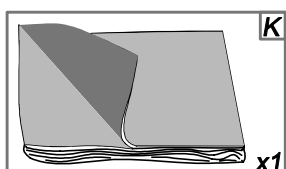
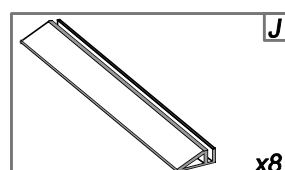
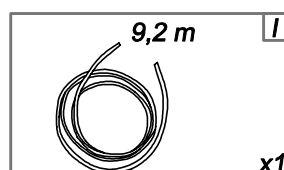
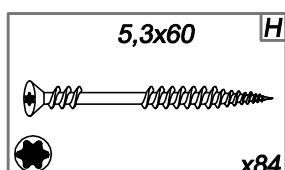
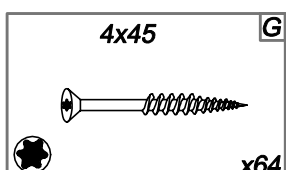
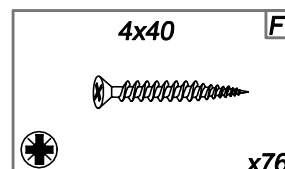
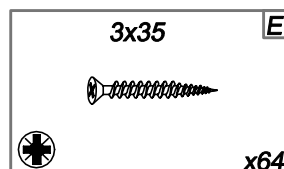
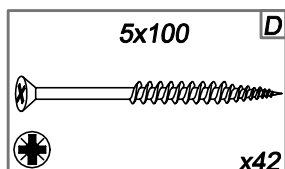
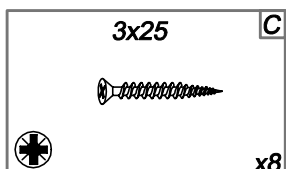
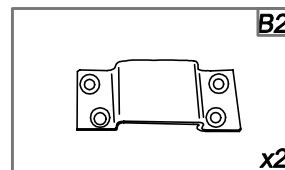
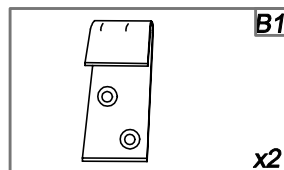
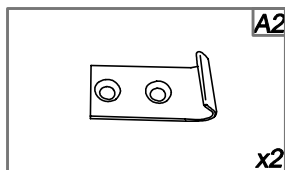
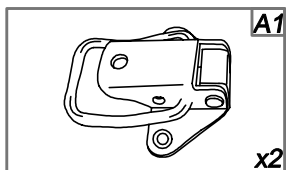
FR Vérifiez la quantité.

GB Check quantity.

IT Controllare la quantità.

DE Überprüfen Sie die Anzahl.

NL Controleer de hoeveelheid.



(PL) Skimmer i dysze

(GB) Skimmer and nozzles

(DE) Skimmer und Düsen

(FR) Le skimmer et la buse de refoulement

(IT) Skimmer e ugelli

(NL) Skimmer en jet straal



(PL) Sprawdź ilość.

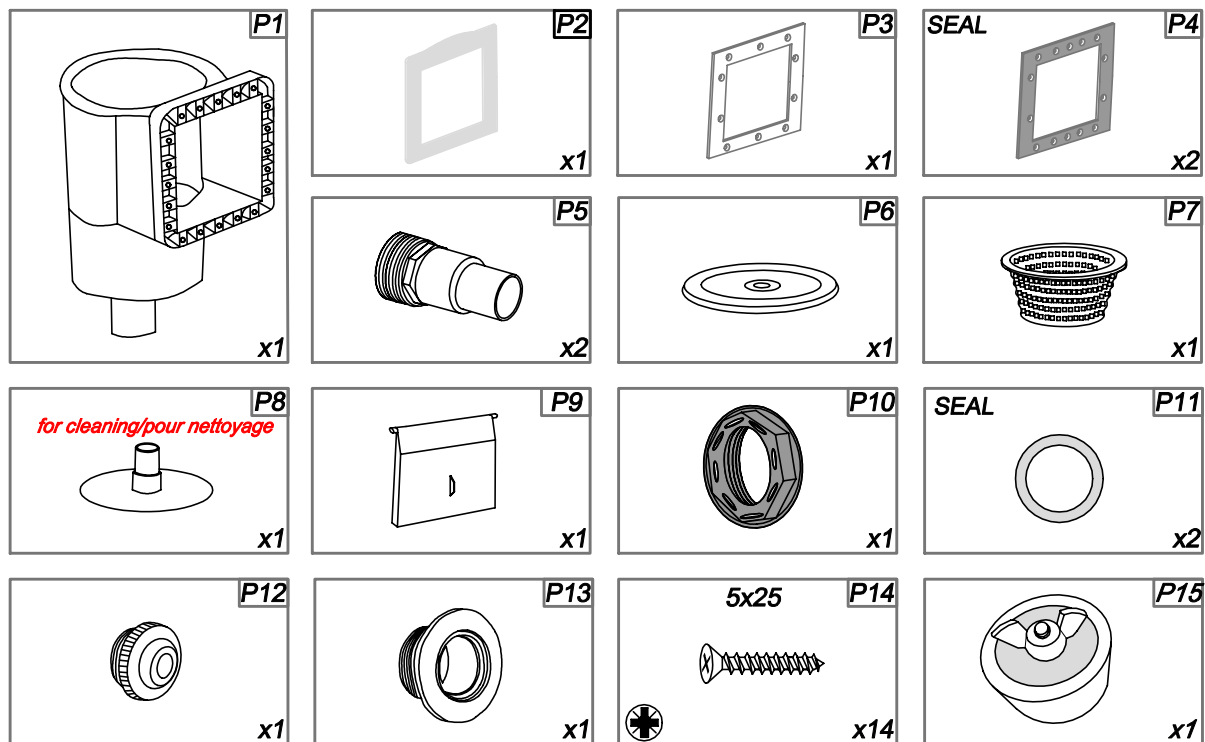
(FR) Vérifiez la quantité.

(GB) Check quantity.

(IT) Controllare la quantità.

(DE) Überprüfen Sie die Anzahl.

(NL) Controleer de hoeveelheid.



UWAGA / ATTENTION / NOTE / ATATTENZIONE / HINWEIS / OPMERKING

(PL) Poszczególne elementy osprzętu w instrukcji mogą się nieznacznie różnić od faktycznie dostarczonych.

(FR) Il est possible que certains éléments présentés dans la notice de montage ne soient pas exactement identiques aux éléments livrés.

(GB) It is possible that some elements of equipment in the assembly instruction will not correspond exactly to those supplied.

(IT) E possibile che degli elementi di attrezzatura nell'istruzione di riunione non corrisponderanno precisamente ad elementi approvigionati.

(DE) Es ist möglich, dass einige Elemente der Ausrüstung in der Montageanleitung nicht genau mit den gelieferten übereinstimmen.

(NL) Het is mogelijk dat sommige apparatuuronderdelen in de handleiding niet precies overeenkomen met de geleverde onderdelen.

UWAGA / REMARQUE / NOTE / ATATTENZIONE / HINWEIS / OPMERKING

(PL) Widok po zmontowaniu.

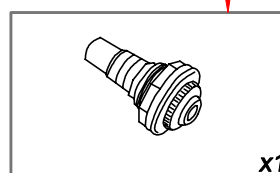
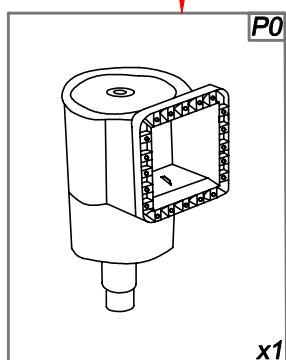
(FR) Contrôlez après montage.

(GB) View after assembly.

(IT) Vista dopo il montaggio.

(DE) Ansicht nach der Montage.

(NL) Controleer na de montage.



(PL) Opcja
(FR) Option

(GB) Option
(IT) Opzione

(DE) Option
(NL) Optie



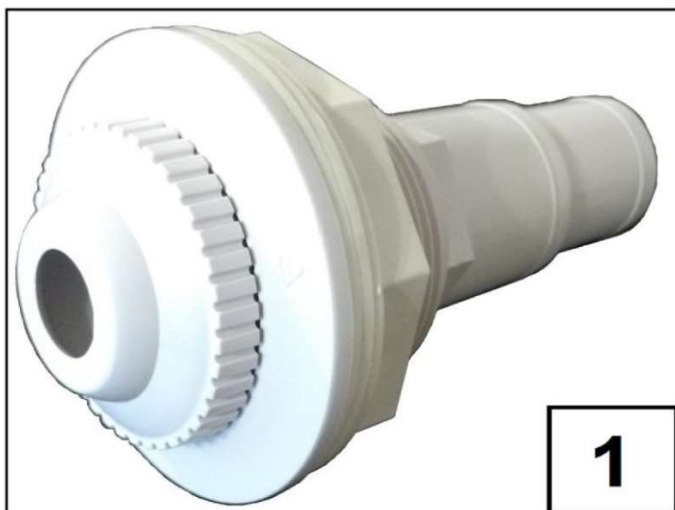
(PL) Zatyczka do dyszy – w celu przygotowania basenu do sezonu zimowego (w szczególności przy ryzyku zamarznięcia wody), zastosuj zatyczkę do dysz napływowych, odcinając dopływ wody do zestawu filtracyjnego. **Pozostaw dyszę w basenie, zamontuj zatyczkę pod wodą.** Należy pamiętać również o odłączeniu zestawu filtracyjnego od źródła wody i dokładnym osuszeniu dyszy od strony zewnętrznej. Zaleca się także, aby z pompy jak i dołączonego filtra piaskowego na okres zimy (miejsca gdzie występują mrozy) usunąć pozostałości wody, w innym przypadku zamarzająca woda może dokonać zniszczenia całości zestawu.

(FR) Bouchon pour la buse de refoulement – afin de préparer la piscine pour l'hiver (en particulier en cas de risque de gel de l'eau), veuillez utiliser le bouchon spécialement fourni avec le skimmer et destiné à fermer l'accès de l'eau au système de filtration. **Veuillez laisser la buse de refoulement dans la piscine, montez le bouchon sous l'eau.** Il est également indispensable de déconnecter le système de filtration du point d'arrivée d'eau et de s'assurer que la partie de la buse de refoulement placée à l'extérieur de la piscine soit parfaitement sèche. En plus, il est conseillé de vider le reste de l'eau se trouvant dans la pompe et le filtre à sable surtout en période de gel. L'eau qui gèle à l'intérieur du système de filtration peut causer des dégâts et des dysfonctionnements.

(GB) Rubber plug- in order to prepare the pool for the winter season (especially if there is a risk of freezing) put a plug into the inlet to shut off the access of water to the filtration system. **Inlet must remain in the pool. Fix the plug under water.** Remember to disconnect the filtration set from the pool and dry the inlet (the part of inlet which is outside of the pool). For the winter season, it is recommended to get rid of water remaining in pump and sand filter, otherwise freezing water can cause devastation of the whole set.

(DE) Stöpsel für die Düse – den Pool für die Wintersaison vorbereiten (insbesondere wegen der Gefahr des einfrierenden Wassers), verwenden Sie dazu die Zuflusssdüse. Schneiden Sie die Wasserzufuhr zu dem Filtersystem ab, nachdem Sie den Filter abgetrennt haben, sollten Sie auf die gründliche Trocknung der Düse von außen achten, und dass die Filteranlage von der Wasserquelle abgetrennt ist. **Lassen Sie die Düse in den Pool, installieren Sie den Stöpsel unter dem Wasser.** Es wird auch empfohlen, aus dem Sandfilter sowie der Pumpe restliches Wasser zu entfernen (Stellen wo Frost entstehen kann), da sonst das gefrierende Wasser das komplette Filtersystem beschädigt.

(NE) Rubberen stop - om de toegang van de inlaat (jet straal) voor het filtersysteem af te sluiten ter voorbereiding op het winterseizoen (vooral als er een risico bestaat op bevriezing van water). **De inlaat moet in het zwembad blijven. Bevestig de stop onder water.** Let op dat u de het filtersysteem loskoppelt van het zwembad en de achterkant van de inlaat laat drogen en achterblijvend water te verwijderen, ter voorkoming van beschadiging in het filtersysteem door bevriezing van water.



1



3



2



4

PL Narzędzia

GB Tools

DE Werkzeuge

FR Les outils

IT Strumenti

NL Gereedschap



PL Przygotuj niezbędne narzędzia - niezawarte w zestawie.

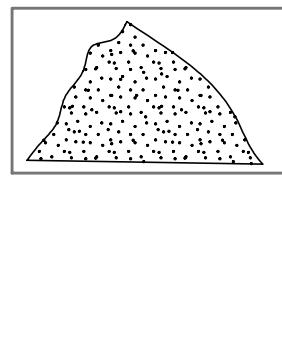
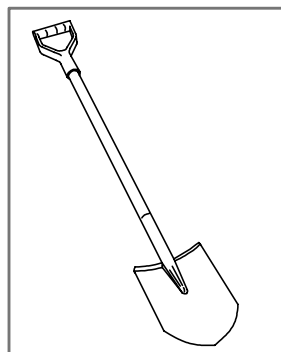
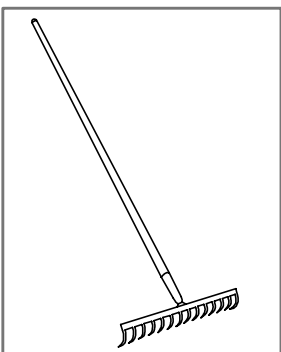
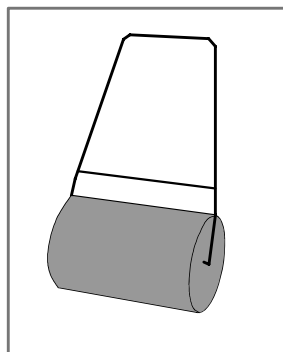
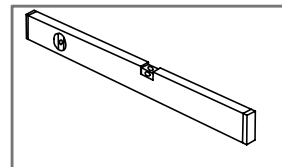
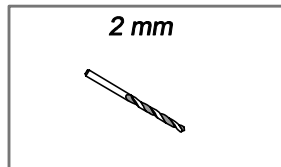
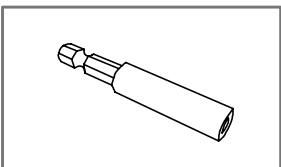
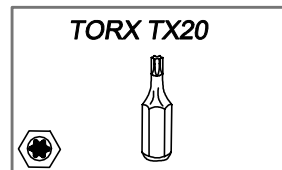
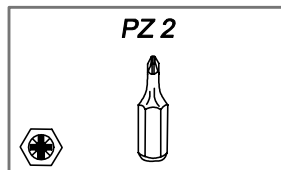
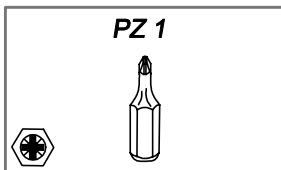
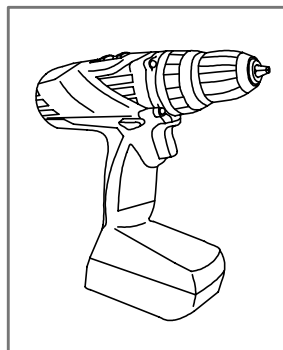
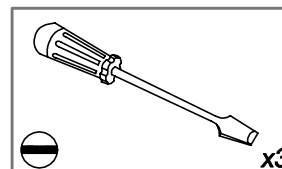
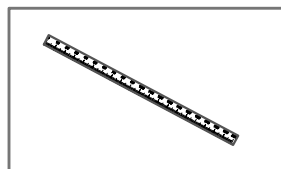
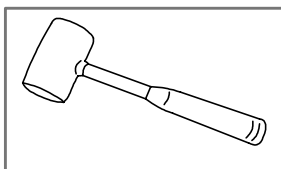
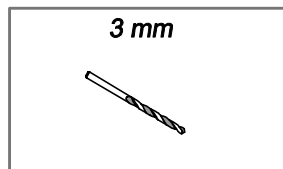
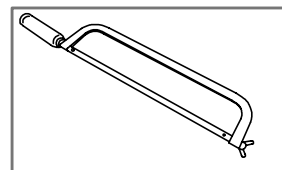
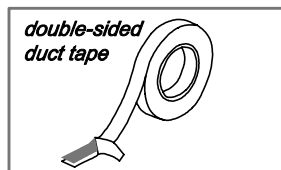
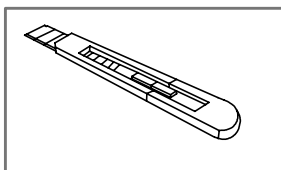
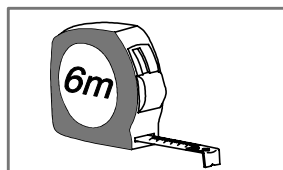
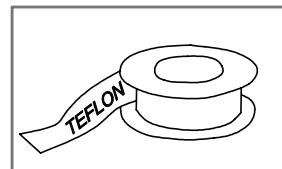
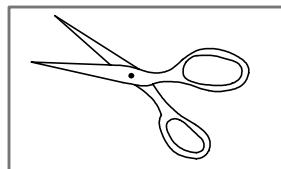
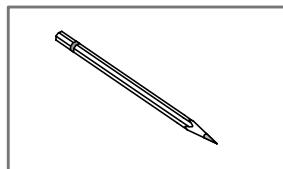
FR Préparez les outils nécessaires - non inclus.

GB Prepare essential tools- not included.

IT Preparare gli strumenti necessari - non inclusi nel set.

DE Bereiten Sie das notwendige Werkzeug vor - nicht enthalten.

NL Bereid de benodigde hulpmiddelen voor - niet inbegrepen.



(PL) Podłoże

(GB) Ground

(DE) Untergrund

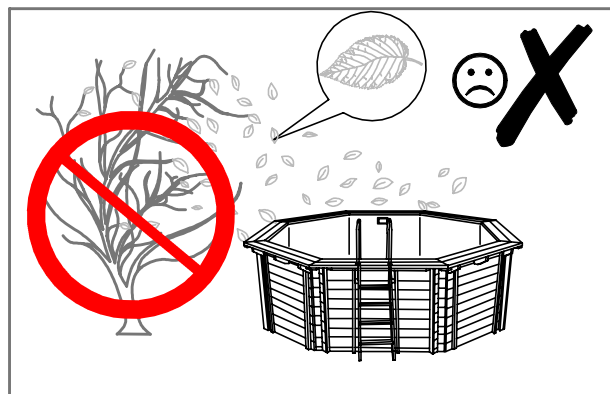
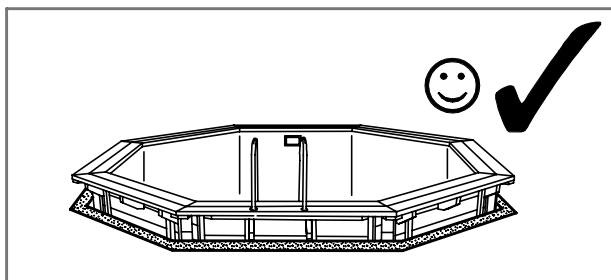
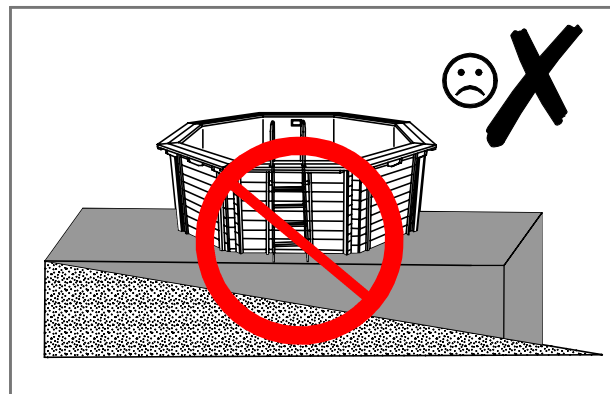
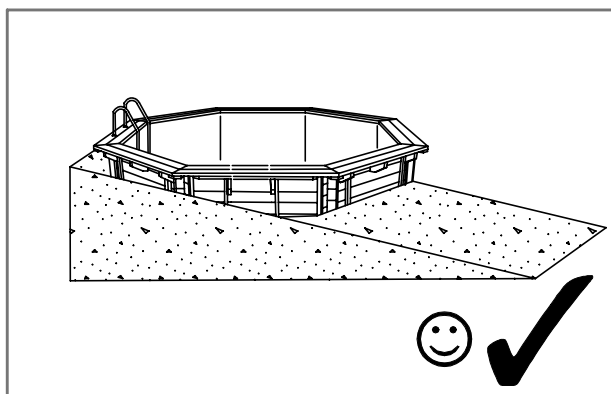
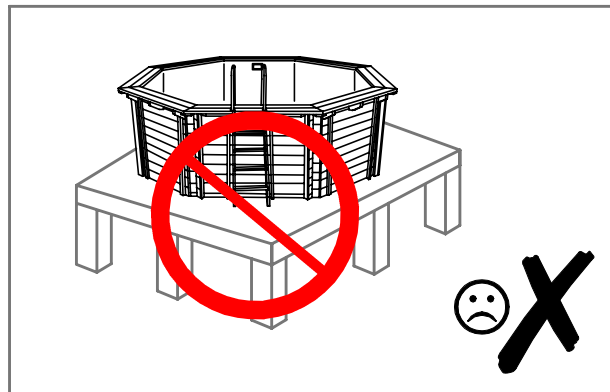
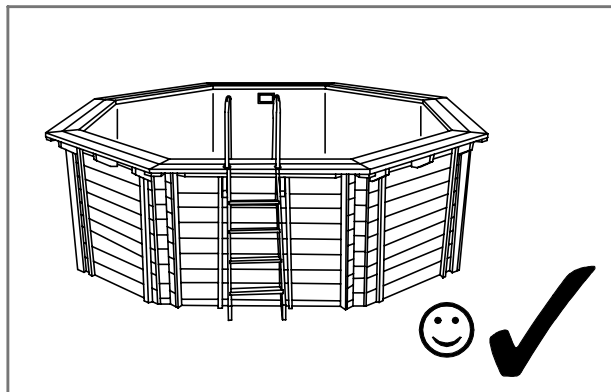
(FR) Terrain

(IT) Suolo

(NL) Ondergrond



- (PL)** Struktura basenu wkopanego musi być zabezpieczona folią budowlaną.
(FR) La structure bois enterrée doit être protégée selon les instructions du manuel fourni.
(GB) Wooden structure if sunk in the ground must be protected in accordance with attached documentation.
(IT) La struttura della piscina scavata deve essere protetta con un cellofan da costruzione.
(DE) Holzkonstruktionen, die in den Boden eingelassen sind, müssen gemäß der beigefügten Dokumentation geschützt werden.
(NL) Houten structuur moet indien verzonken in de grond worden beschermd volgens de bijgevoegde en voorgeschreven documentatie.



(PL) Struktura basenu w części lub w całości montowanego poniżej poziomu gruntu, musi być zabezpieczona w sposób zgodny z załączoną dodatkowo dokumentacją.

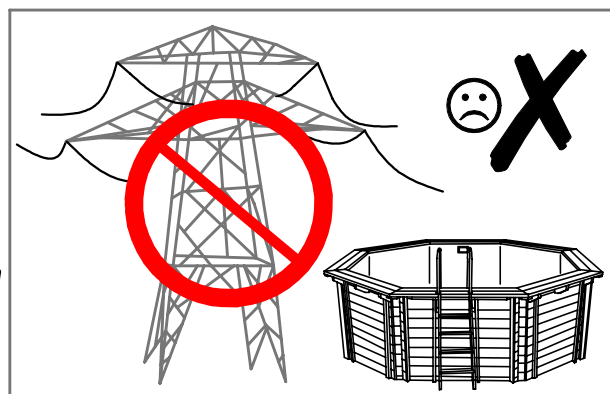
(FR) Il est exigé que la structure de la piscine enterrée ou semi-enterrée soit convenablement protégée selon les indices dans le document supplémentaire ci-joint.

(GB) Structure of partly or fully in-ground pool, must be secured in accordance with additional enclosed documentation.

(IT) È esatto che la struttura della piscina sepolta o semi-sepolta sia protetta correttamente in allegato secondo gli indizi nel documento supplementare.

(DE) Holzkonstruktionen, die teilweise oder vollständig in den Boden eingelassen sind, sollten gemäß den beigefügten zusätzlichen Unterlagen geschützt werden.

(NL) Houten constructies die gedeeltelijk of volledig zijn verzonken in de grond moeten worden beschermd volgens de bijgevoegde aanvullende documentatie.



(PL) Podłoże

(GB) Ground

(DE) Untergrund

(FR) Terrain

(IT) Suolo

(NL) Ondergrond



(PL) Wymagane zabezpieczenie struktury przy montażu basenu poniżej poziomu gruntu.

(FR) Un système de protection de la structure est exigé dans le cas où la piscine est installée en dessous du niveau du sol.

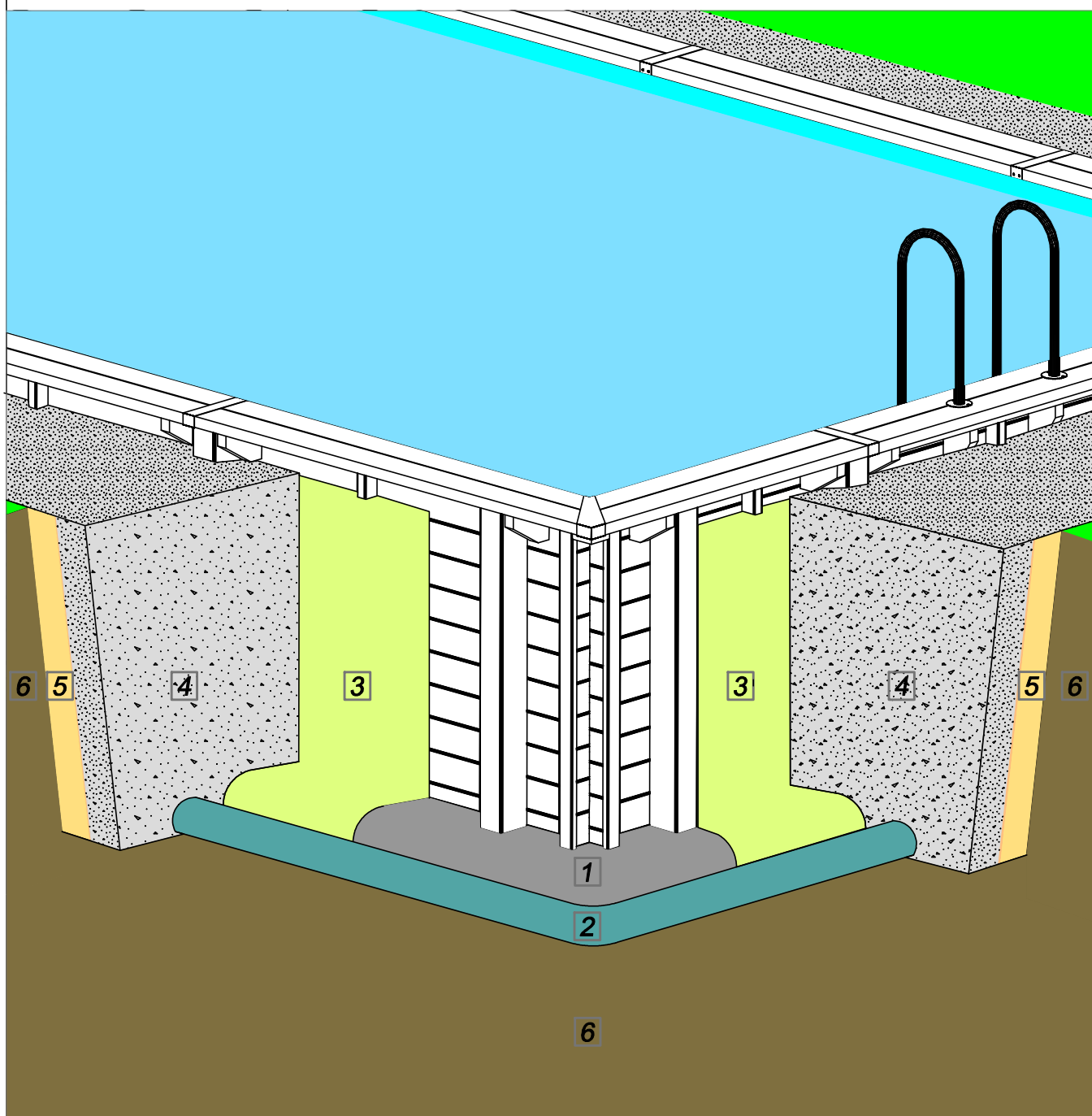
(GB) Wooden structure protection required in case of in-ground installation.

(IT) La protezione della struttura nel caso della piscina totalmente o parzialmente sepolta.

(DE) Erforderliches Schutz für Struktur eines Holzpool, wenn es unter der Boden montieren.

(NL) Bescherming van de houten constructie is absoluut noodzakelijk bij ingebouwde zwembaden.

- 1** FUNDAMENT BASENU / DALLE BETON / FOUNDATION / LASTRA CEMENTO / DAS FUNDAMENT / FUNDERING
- 2** RURA DRENARSKA / TUYAU DE DRAINAGE / DRAINAGE PIPE / TUBO DI DRENAGGIO / DIE DRAINAGEROH / AFVOERPIJP
- 3** PEÇHERZYKOWA FOLIA FUNDAMENTOWA / PROTECTION DE SOUBASSEMENT / FOINDATION BUBBLE WRAP / FONDALINE / DAS FUNDAMENT NOPPENFOLIE / BOUWFOLIE
- 4** ŻWIR / GRAVIER / GRAVEL / GHIAIA / DER KIES / GRAVEL
- 5** GEOWŁÓKNINA OGRODOWA / GEOTEXTILE / GEOTEXTILE / GEOTESSILI / GARTEN GEOTEXTILE / GEOTEXTEL
- 6** GRUNT / TERRAIN / GROUND / TERRENO / DER BODEN / BODEM



PL Podłoże

GB Ground

DE Untergrund

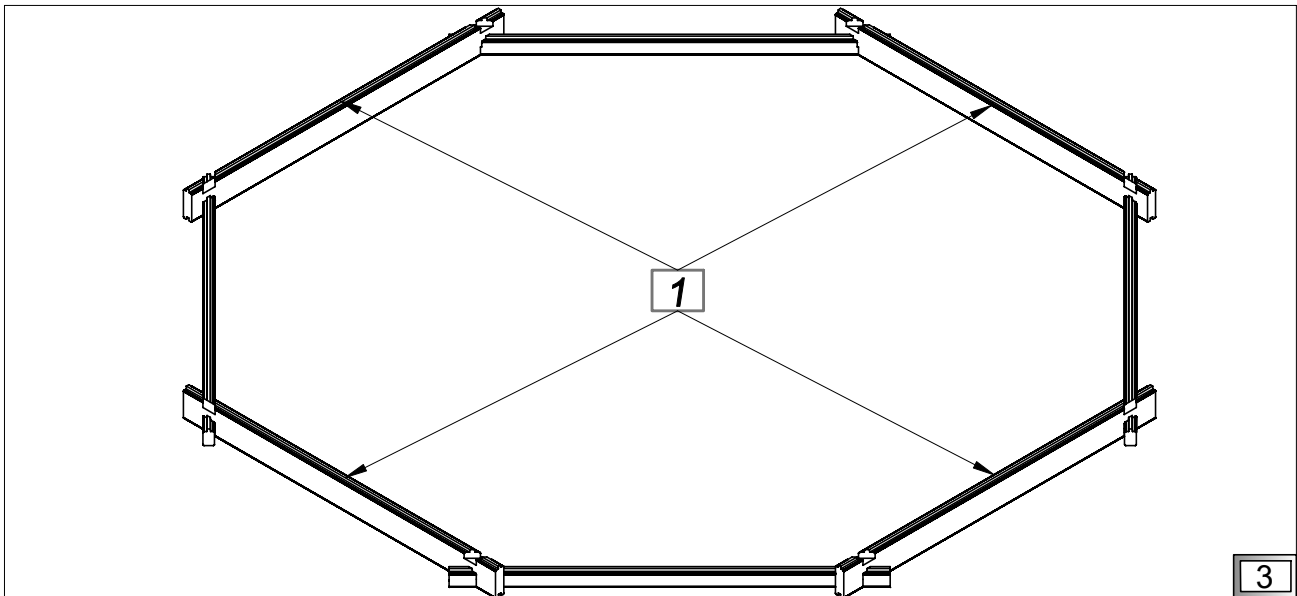
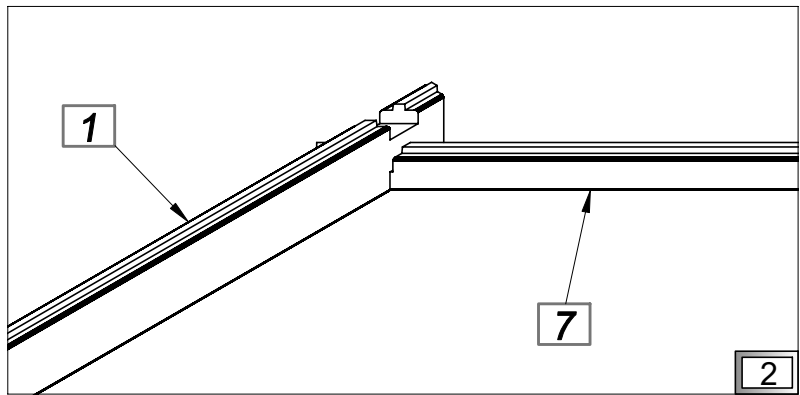
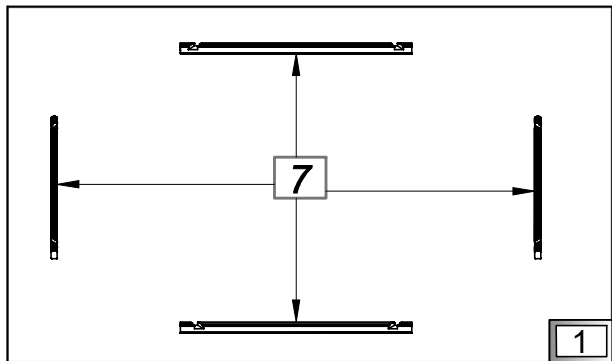
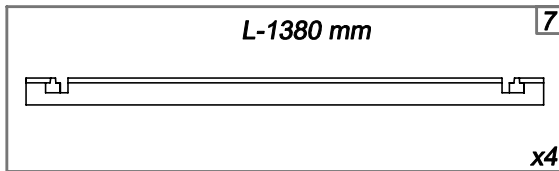
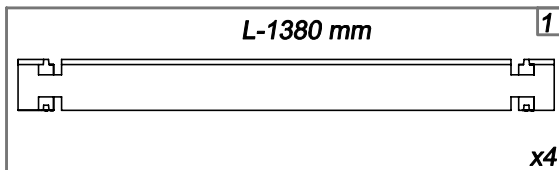
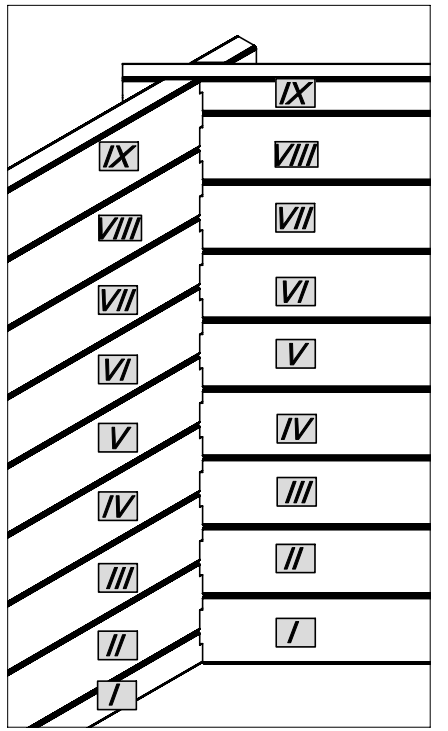
FR Terrain

IT Suolo

NL Ondergrond



- PL** Układ pierwszą warstwę w celu wyznaczenia terenu pod basen.
- FR** Posez la première couche afin de marquer le terrain sous la piscine.
- GB** Lay first layer to determine the surface for the pool.
- IT** Posare il primo strato al fine di determinare il terreno per la piscina.
- DE** Legen Sie die erste Schicht zur Bestimmung des für Swimmingpool vorgesehenen Geländes auf.
- NL** Monteer de eerste laag balken om te bepalen waar het zwembad komt.



(PL) Podłoże

(GB) Ground

(DE) Untergrund

(FR) Terrain

(IT) Suolo

(NL) Ondergrond



(PL) Wyznacz teren po czym rozmontuj strukturę. Usuń trawę, korzenie, kamienie.

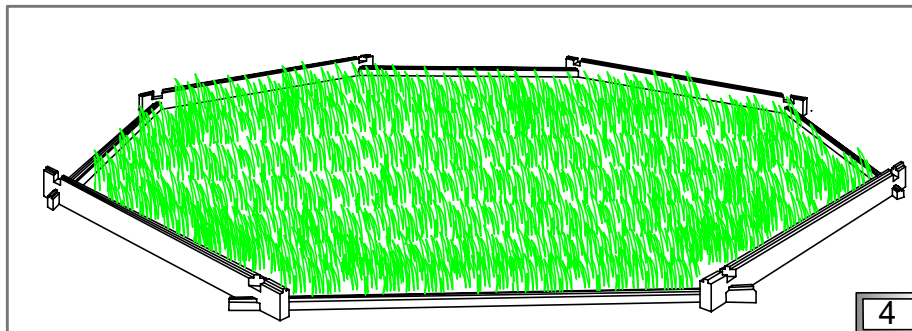
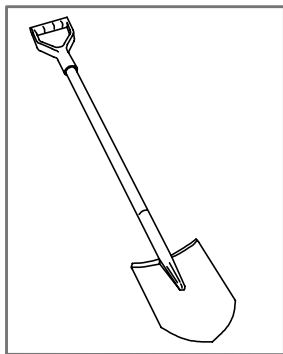
(FR) Marquez le terrain et ensuite déplacez les éléments bois. Nettoyez bien le terrain en enlevant les herbes, les racines et les cailloux.

(GB) Mark the surface, then demount a structure. Remove grass, roots, rocks.

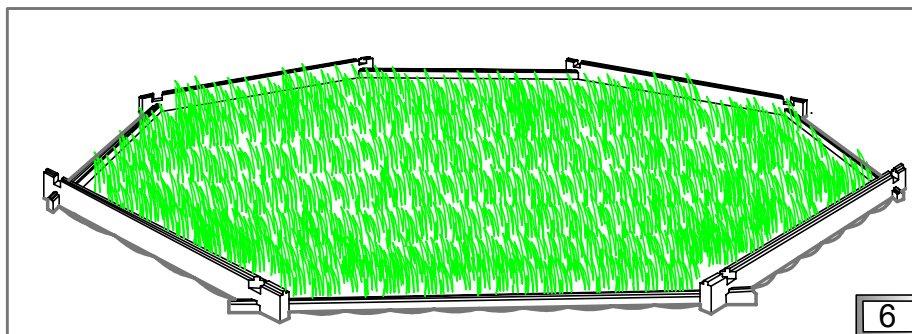
(IT) Determinare il terreno e poi smontare la struttura. Togliere erba, radici, pietre.

(DE) Stecken Sie das Gelände auf und bauen Sie die Struktur aus. Entfernen Sie Gras, Wurzel, Steine.

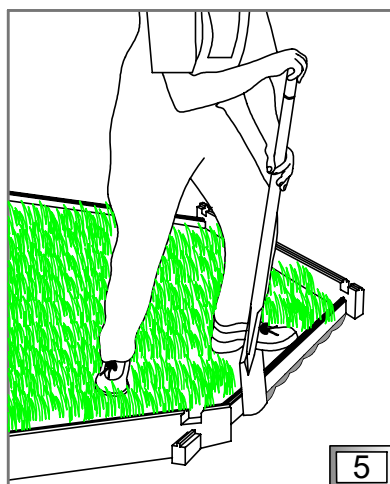
(NL) Markeer de oppervlakte en haal de eerste laag weg. Verwijder eventueel gras, wortels en stenen.



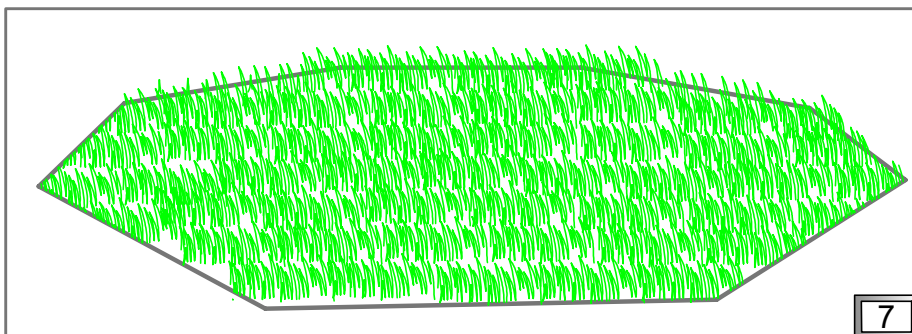
4



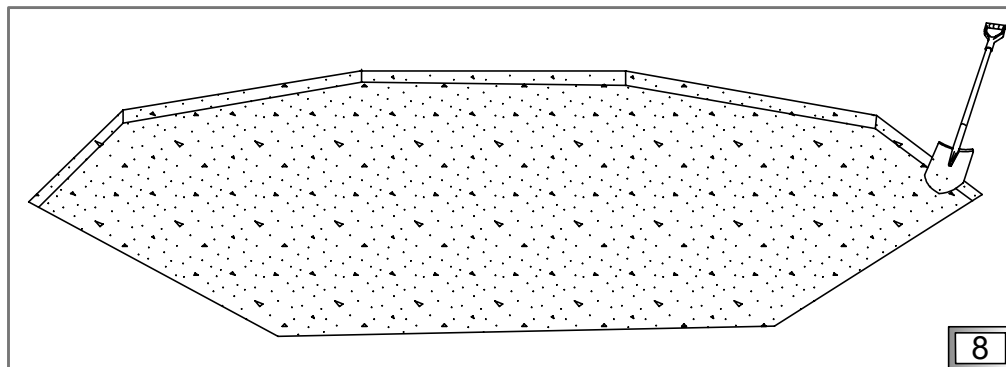
6



5



7



8

(PL) Podłoże

(GB) Ground

(DE) Untergrund

(FR) Terrain

(IT) Suolo

(NL) Ondergrond



(PL) Wysyp piasek. Powierzchnia musi być twarda, płaska i wypoziomowana. Ułóż ponownie warstwę I.

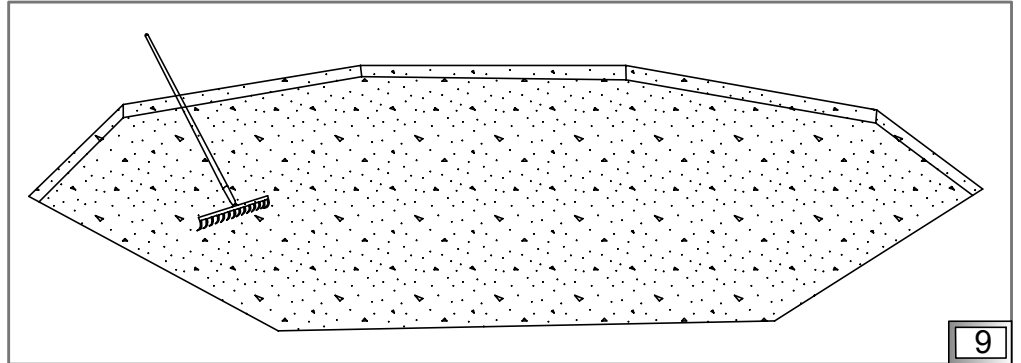
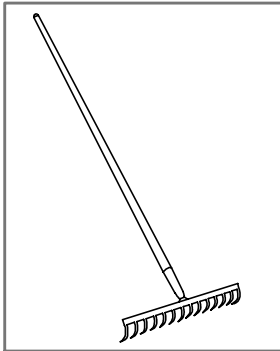
(FR) Etalez du sable et refaites la couche I. Le terrain doit être rigoureusement plat, dur et de niveau.

(GB) Fill the surface with clean sand. The surface must be firm, flat and leveled. Mount the first layer again.

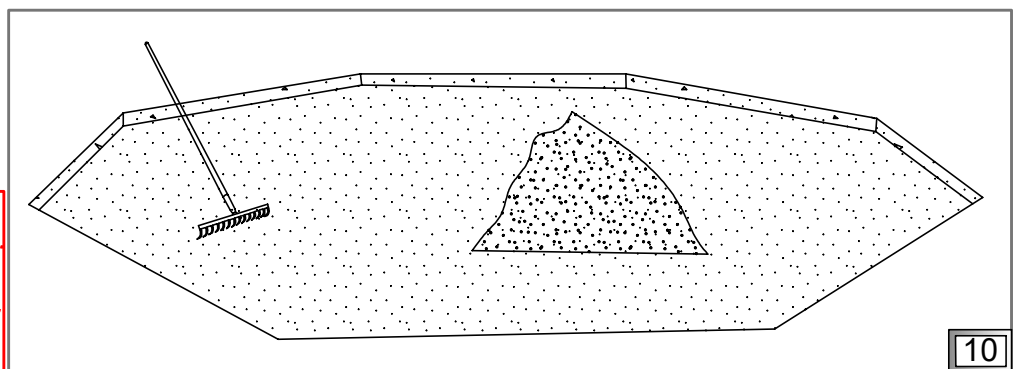
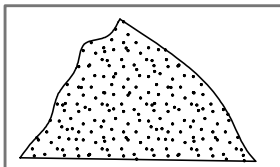
(IT) Versare sabbia. La superficie deve essere solida, piana e livellata. Posizionare di nuovo lo strato I.

(DE) Schütten Sie Sand aus. Der Untergrund muss fest, flach und eben sein. Legen Sie die I-Schicht erneut auf.

(NL) Vul de ondergrond met schoon zand, de ondergrond moet stevig, vlak en waterpas zijn. Monteer opnieuw de eerste laag.



9



10

(PL) Piasek - warstwa 2 cm.

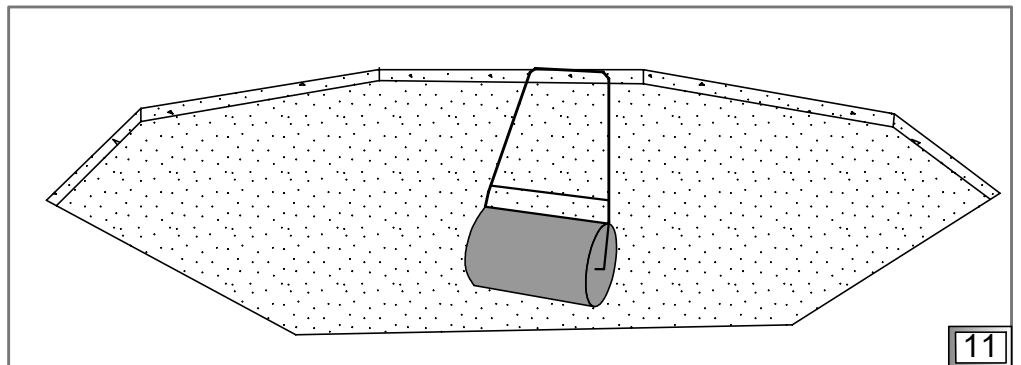
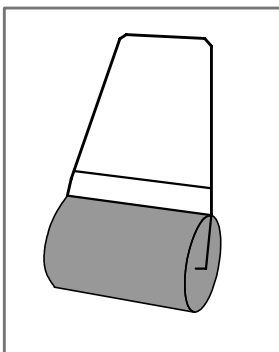
(FR) Le sable - une couche de 2 cm.

(GB) Sand- layer 2 cm.

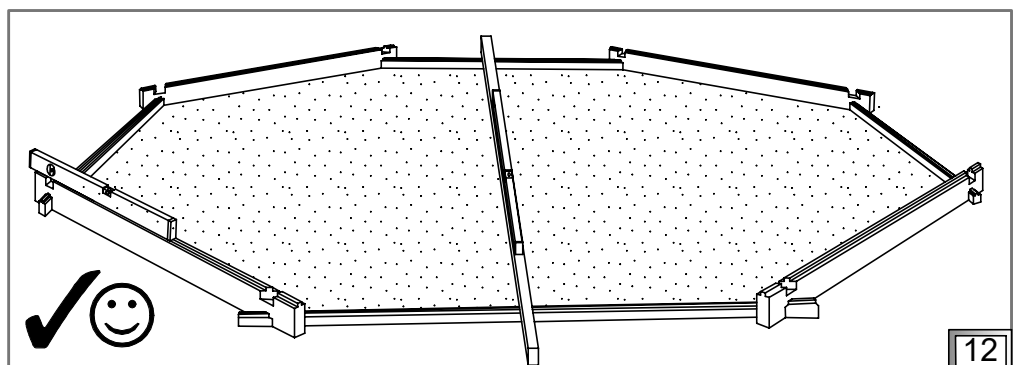
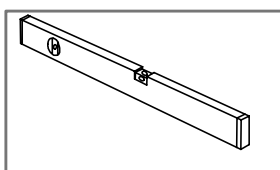
(IT) Sabbia - uno strato di 2 cm.

(DE) Sand - Die Schicht 2 cm.

(NL) Zandlaag 2 cm.



11



12

(PL) Struktura drewniana

(GB) Wooden structure

(DE) Holzstruktur

(FR) La structure bois

(IT) Struttura in legno

(NL) Houten structuur



(PL) Po ułożeniu każdej z warstw sprawdź przekątne według rysunku.

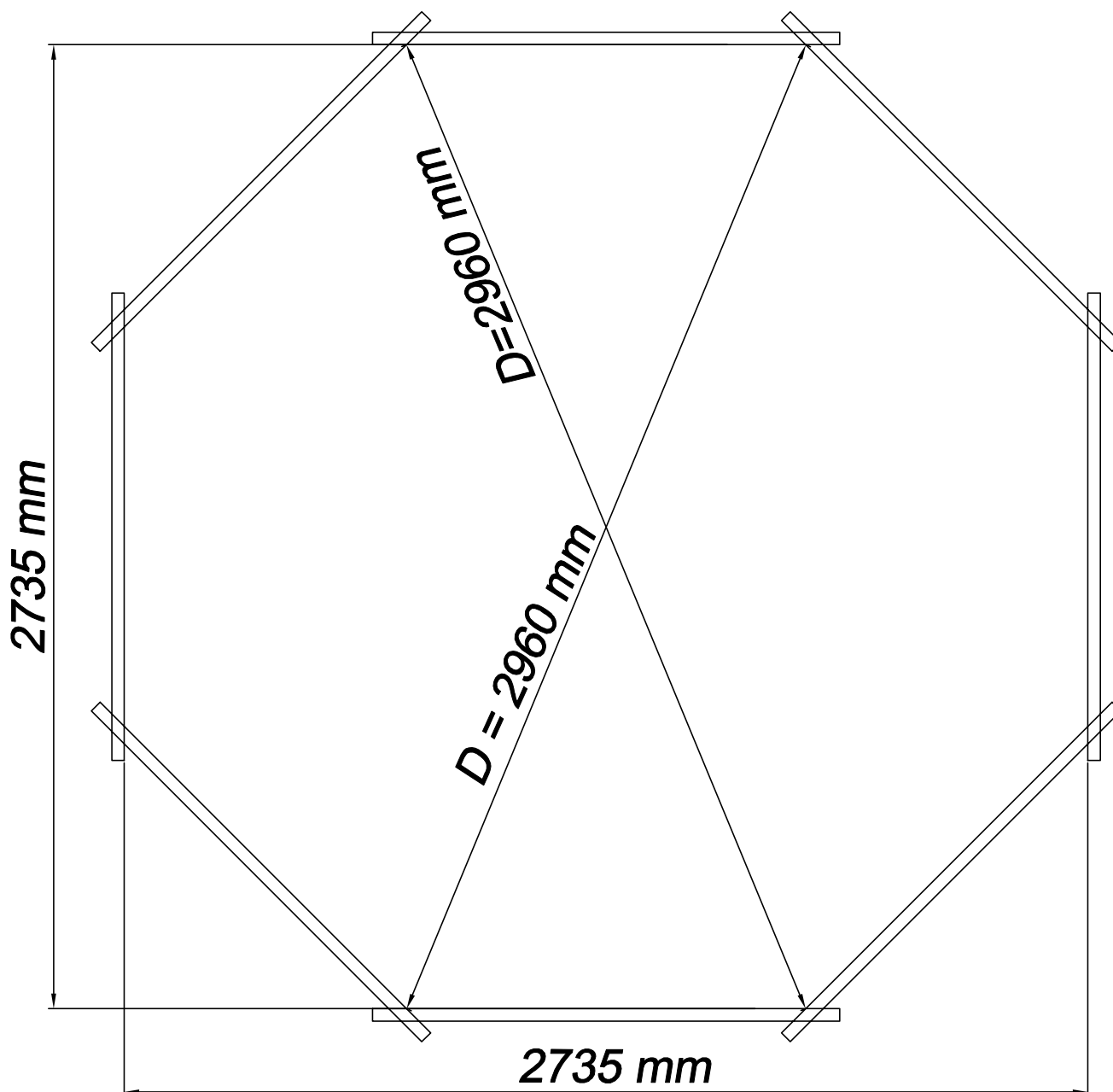
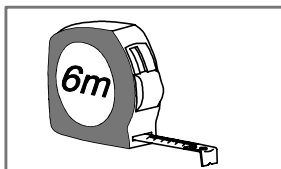
(FR) Vérifiez après la pose de chaque couche que les diagonales soient bien conformes au dessin technique.

(GB) After putting each layer check diagonals according to the drawing.

(IT) Dopo la posa di ogni strato bisogna controllare diagonali, secondo il disegno.

(DE) Nachdem Sie jede Schicht angeordnet haben, überprüfen Sie die Diagonalen gemäß der Zeichnung.

(NL) Controleer na het aanbrengen van elke laag de diagonalen volgens de tekening.



(PL) *Struktura drewniana*

(GB) *Wooden structure*

(DE) *Holzstruktur*

(FR) *La structure bois*

(IT) *Struttura in legno*

(NL) *Houten structuur*



(PL) Po ułożeniu każdej z warstw sprawdź przekątne według rysunku.

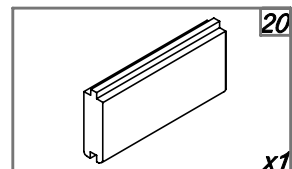
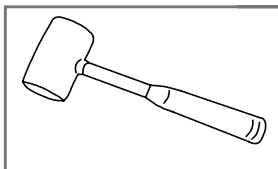
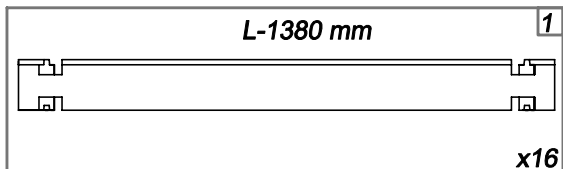
(FR) Vérifiez après la pose de chaque couche que les diagonales soient bien conformes au dessin technique.

(GB) After putting each layer check diagonals according to the drawing.

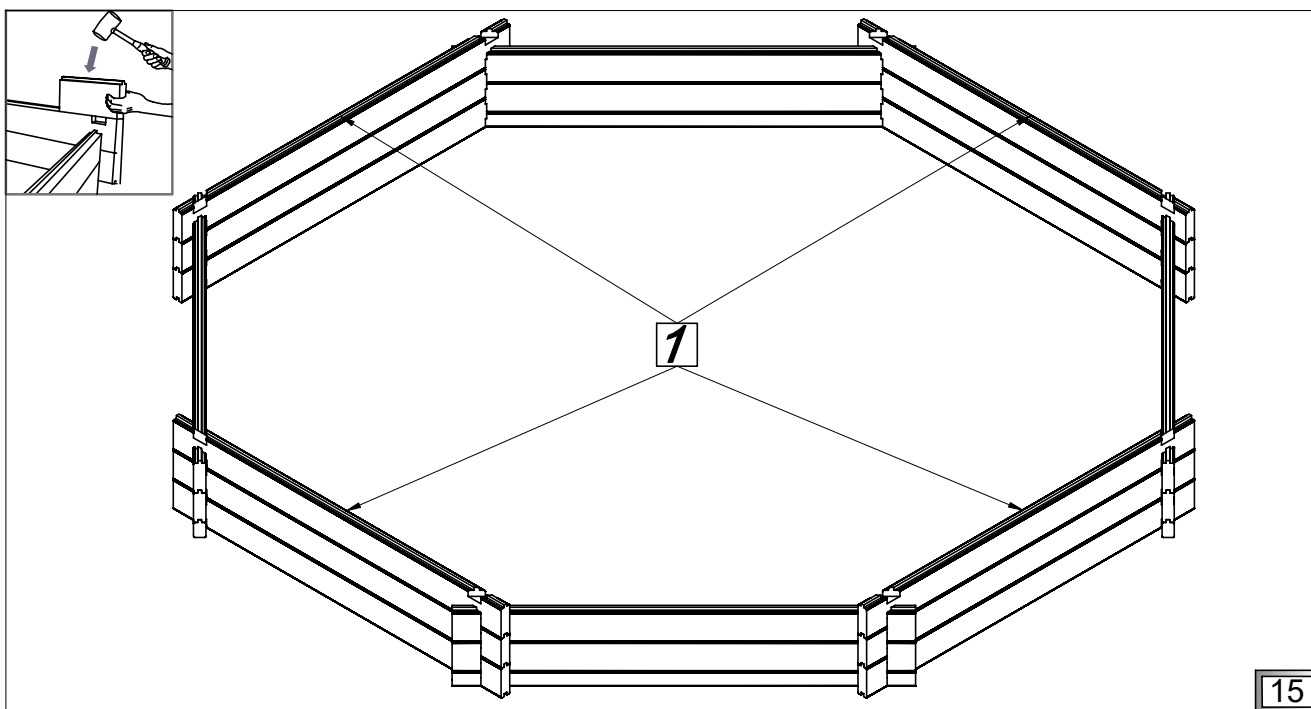
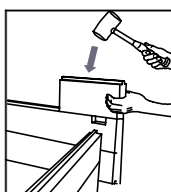
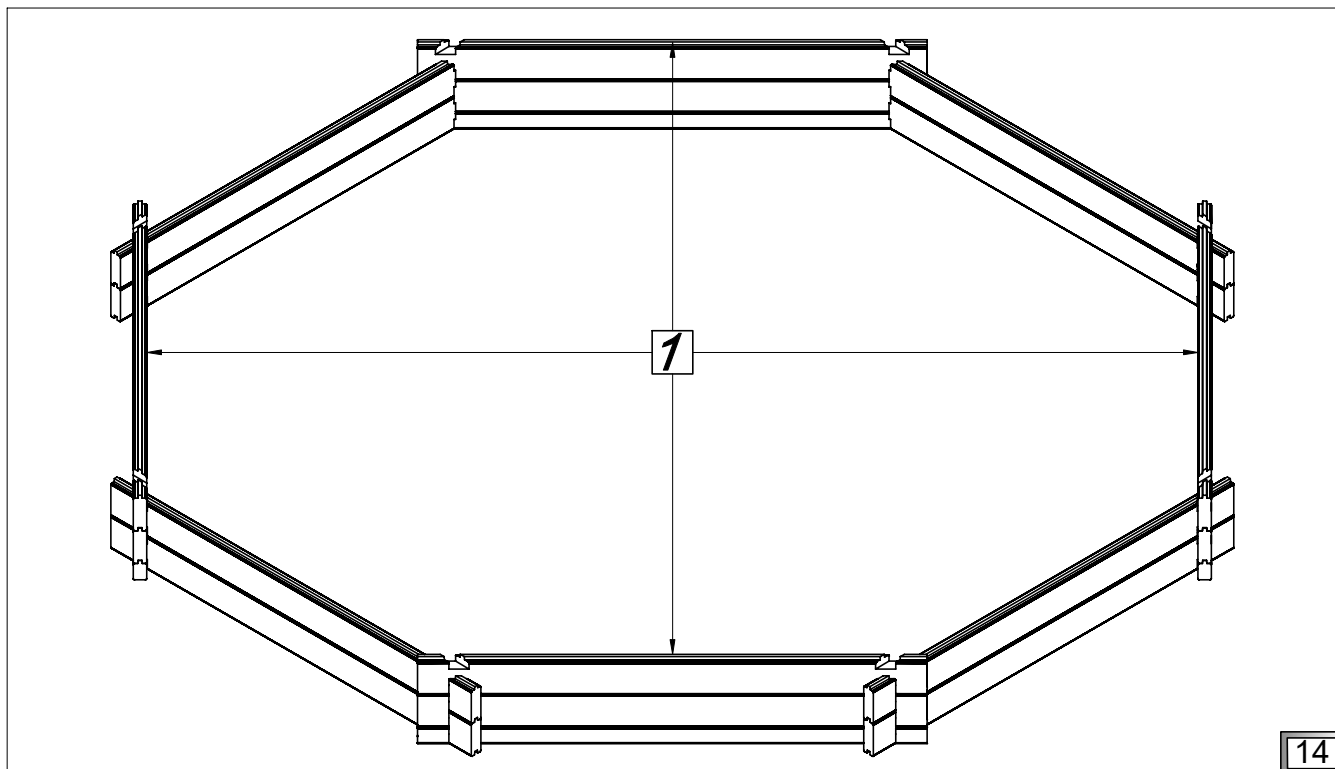
(IT) Dopo la posa di ogni strato bisogna controllare diagonali, secondo il disegno.

(DE) Nachdem Sie jede Schicht angeordnet haben, überprüfen Sie die Diagonalen gemäß der Zeichnung.

(NL) Controleer na het aanbrengen van elke laag de diagonalen volgens de tekening.



11-111



(PL) *Struktura drewniana*

(GB) *Wooden structure*

(DE) *Holzstruktur*

(FR) *La structure bois*

(IT) *Struttura in legno*

(NL) *Houten structuur*



(PL) Ułożenie kolejnych warstw. Sprawdzaj przekątną po każdej ułożonej warstwie.

(FR) L'assemblage des couches suivantes. Vérifiez la conformité des diagonales après la pose de chaque couche.

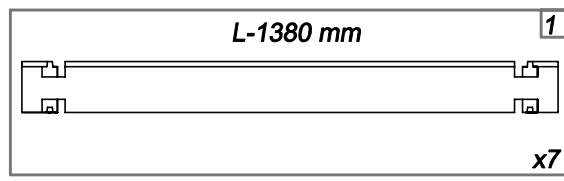
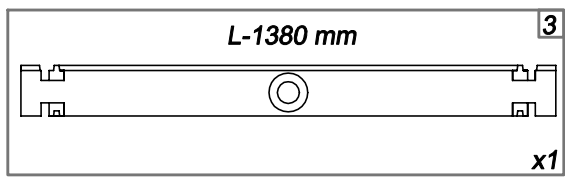
(GB) Arrangement of layers. Check diagonals after having arranged each layer.

(IT) La messa degli strati successivi. Trova la diagonale dopo ogni strato.

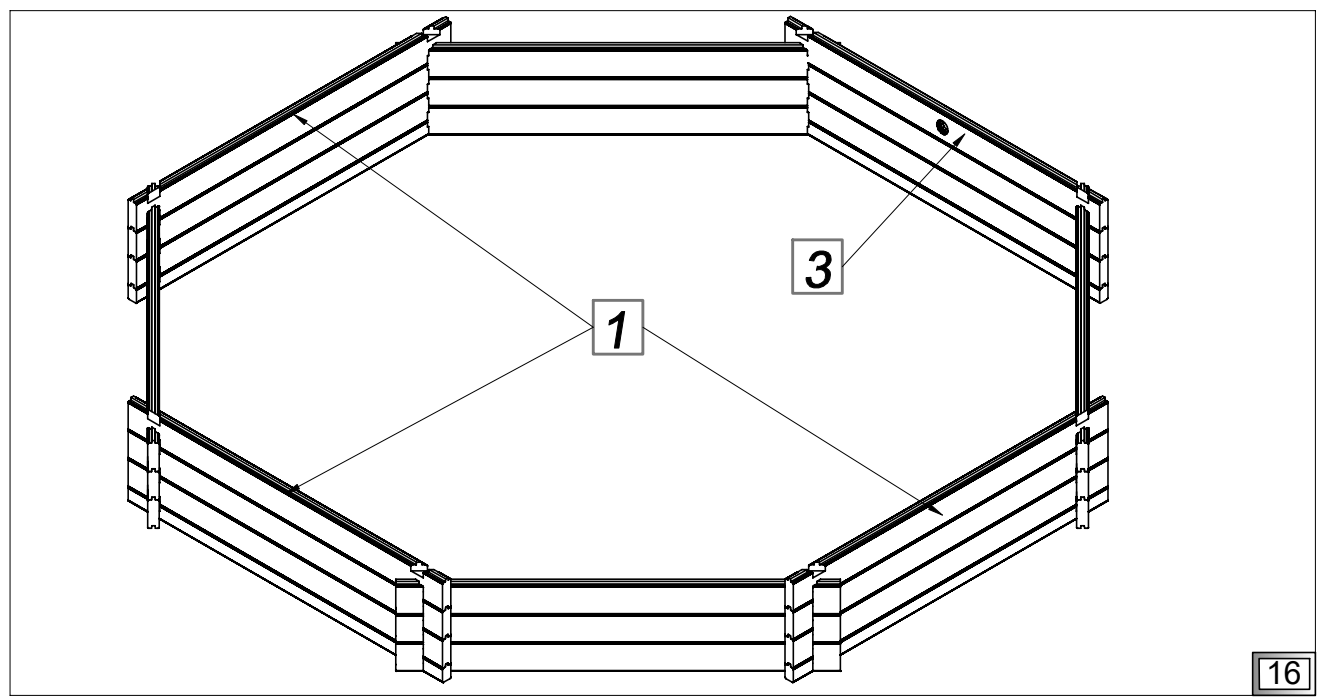
(DE) Anordnung der Schichten. Überprüfen Sie die Diagonalen nachdem Sie jede Schicht angeordnet haben.

(NL) Opbouw van de lagen. Controleer de diagonalen na het aanbrengen van elke laag.

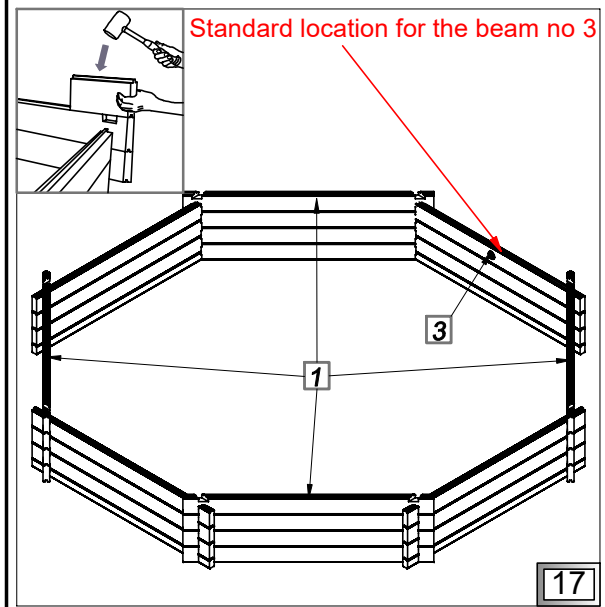
IV



- (NL)** Installeer balk nummer 3 alleen op laag 4 in gebieden waar de temperatuur niet onder nul komt, is dit wel het geval plaats dan balk nummer 3 drie lagen hoger (risico op bevriezing)
- (DE)** Installieren Sie die Nr. 3 auf der Schicht 4 ,wo fällt die Temperatur unten 0 ° C. Anderenfalls Teil Nr. 3 installieren Schicht oben . (Risiko ganz gefroren.)
- (GB)** Install the beam no 3 on the 4th layer. If pool installed in area where temperatures fall below 0°C , install the beam no 3 on higher layer.

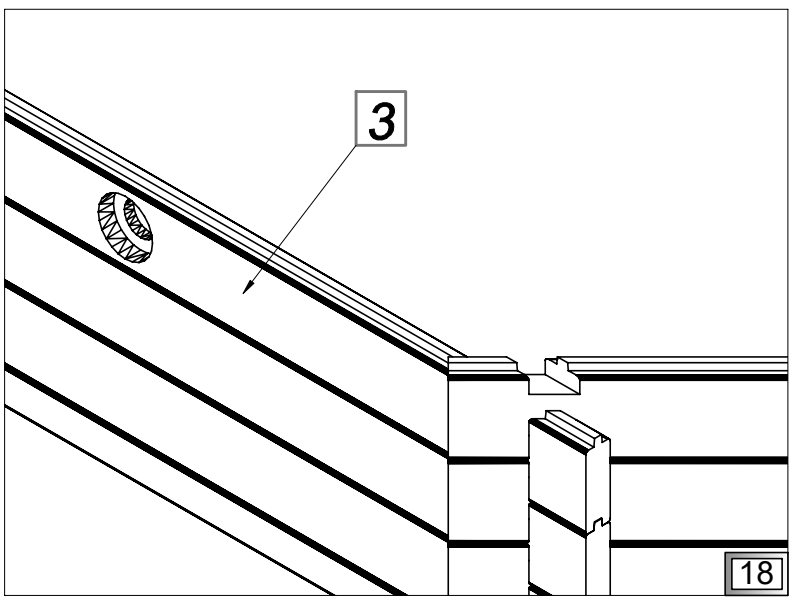


16



Standard location for the beam no 3

17



18

(PL) Struktura drewniana

(GB) Wooden structure

(DE) Holzstruktur

(FR) La structure bois

(IT) Struttura in legno

(NL) Houten structuur



(PL) Ułożenie kolejnych warstw. Sprawdzaj przekątną po każdej ułożonej warstwie.

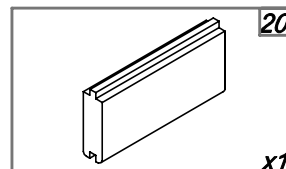
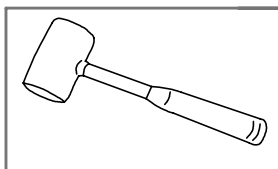
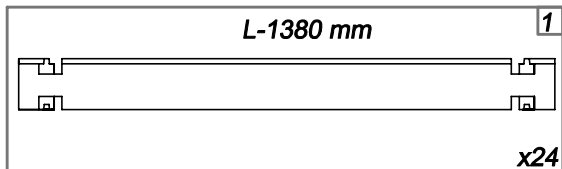
(FR) L'assemblage des couches suivantes. Vérifiez la conformité des diagonales après la pose de chaque couche.

(GB) Arrangement of layers. Check diagonals after having arranged each layer.

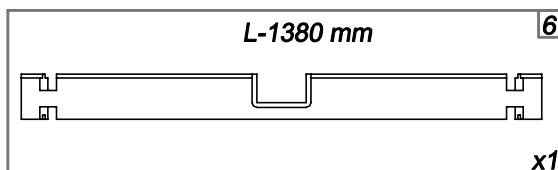
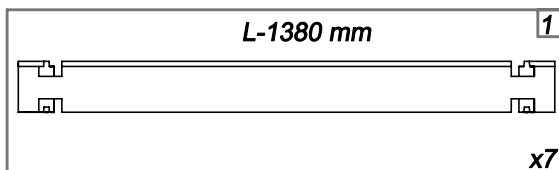
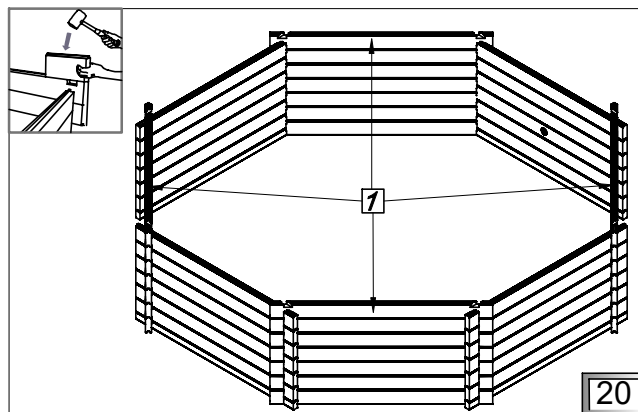
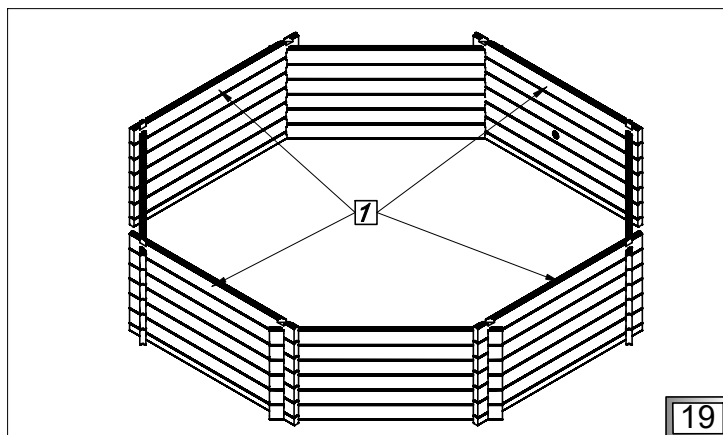
(IT) La messa degli strati successivi. Trova la diagonale dopo ogni strato.

(DE) Anordnung der Schichten. Überprüfen Sie die Diagonalen nachdem Sie jede Schichte angeordnet haben.

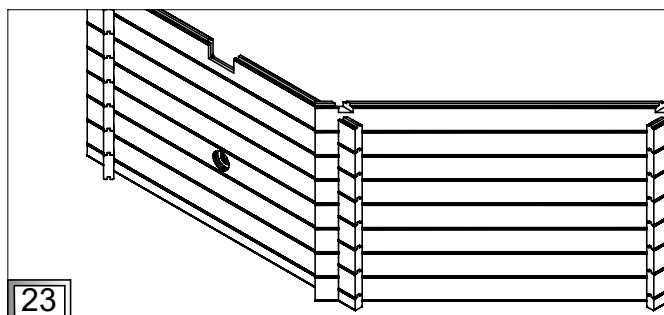
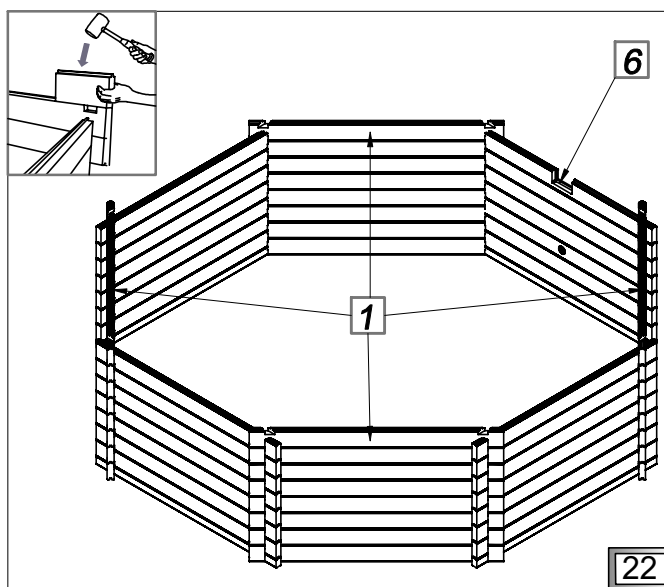
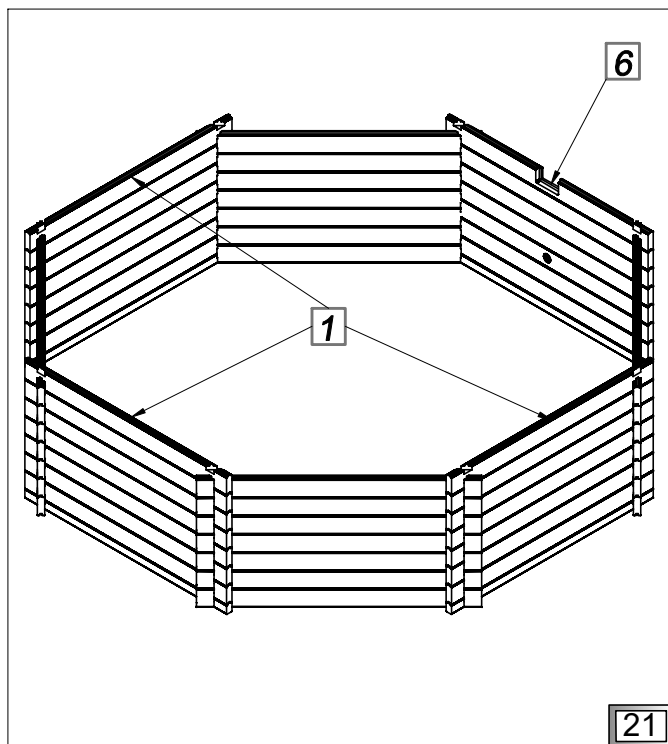
(NL) Opbouw van de lagen. Controleer de diagonalen na het aanbrengen van elke laag.



V-VII



VIII



PL Skimmer

GB Skimmer

DE Skimmer

FR Skimmer

IT Skimmer

NL Skimmer



PL Zmontuj skimmer wg rysunków. Następnie zamontuj go w strukturze.

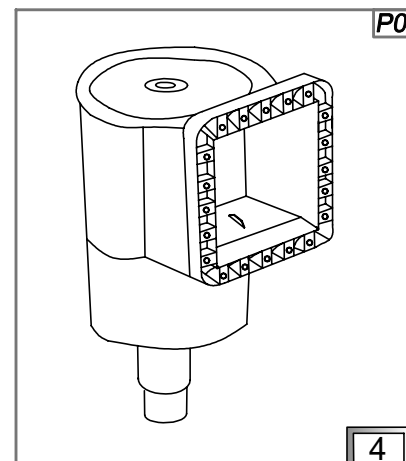
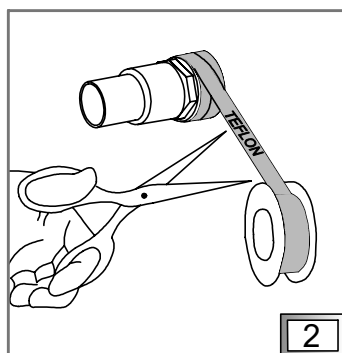
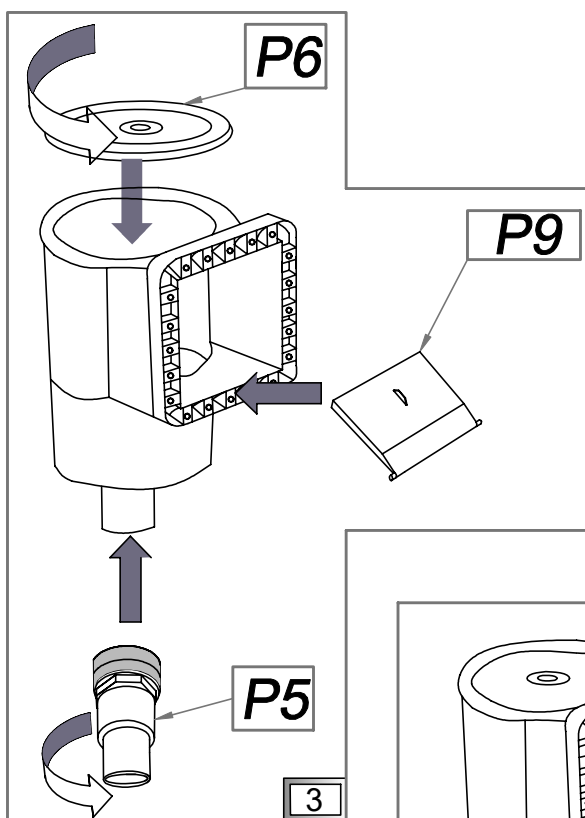
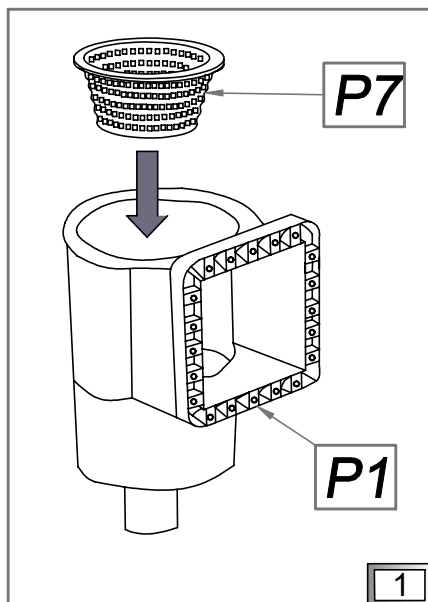
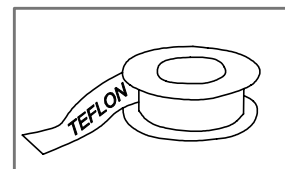
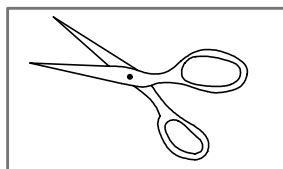
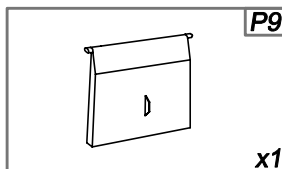
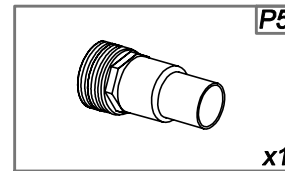
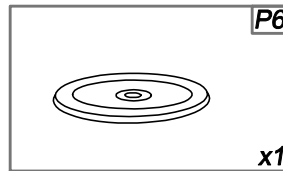
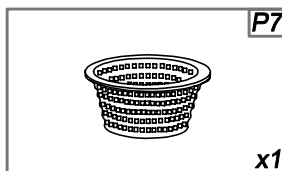
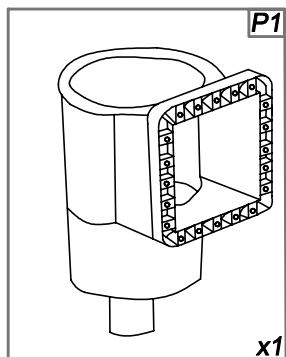
FR Montez le skimmer suivant les dessins. Ensuite fixez-le à la structure.

GB Install a skimmer according to the drawings. Next mount it to the structure.

IT Montare lo skimmer secondo i disegni. Poi installarlo nella struttura.

DE Installieren Sie den Skimmer entsprechend der Zeichnungen. Als nächstes montieren Sie ihn an die Struktur.

NL Installeer de skimmer volgens de tekeningen. Monteer het vervolgens op de structuur.



(PL) Struktura drewniana

(GB) Wooden structure

(DE) Holzstruktur

(FR) La structure bois

(IT) Struttura in legno

(NL) Houten structuur



(PL) Ułożenie kolejnych warstw. Zamontuj skimmer (P0).

(FR) La pose des couches suivantes. Montez le skimmer (P0).

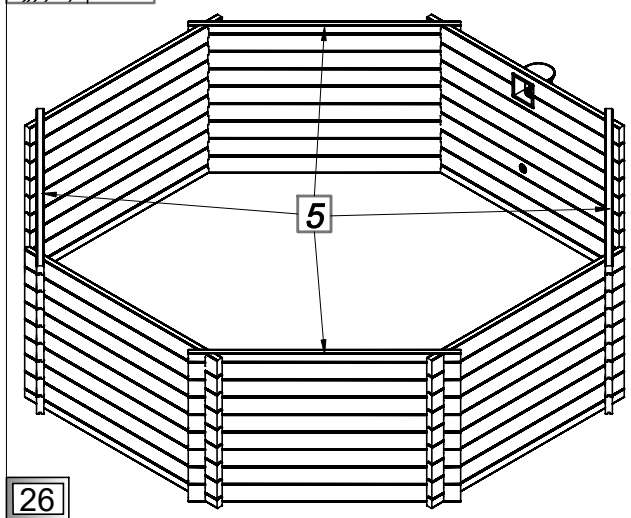
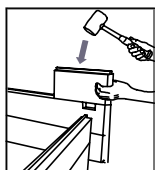
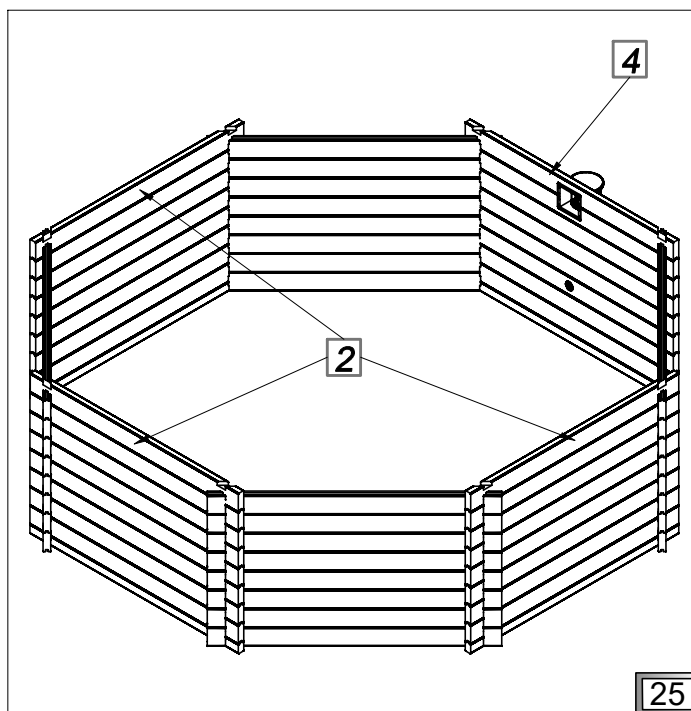
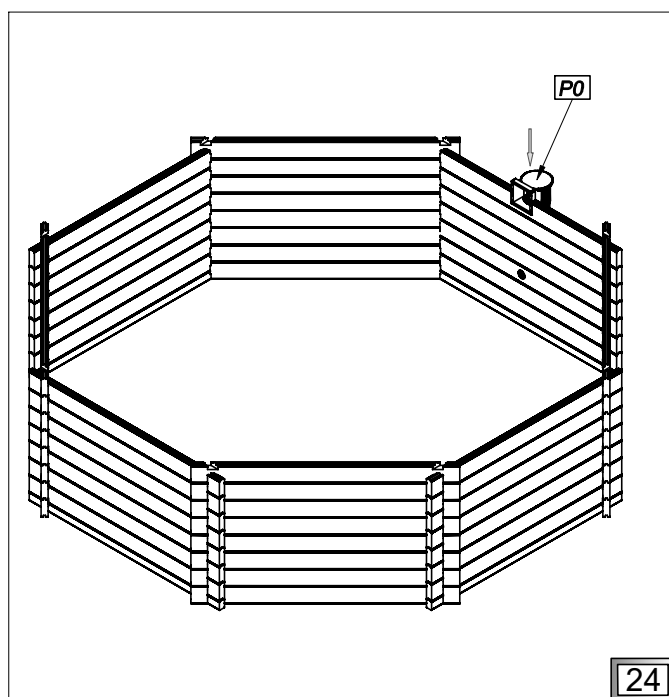
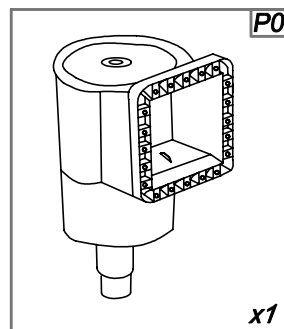
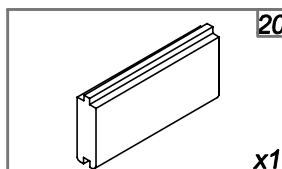
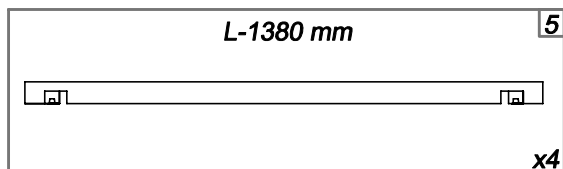
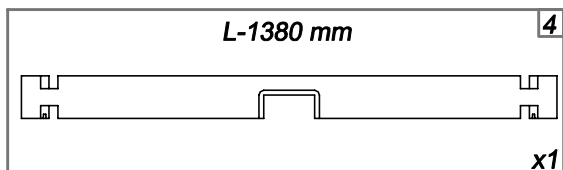
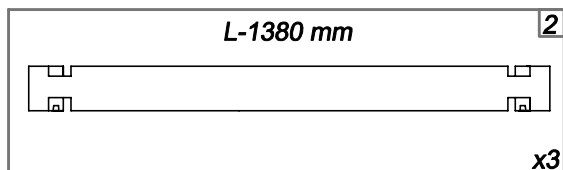
(GB) Laying next layers. Mount a skimmer (P0).

(IT) La disposizione degli strati successivi. Montare lo skimmer (P0).

(DE) Anordnung der Schichten. Befestigen Sie den Skimmer (P0).

(NL) Opbouw van de lagen. Monteer de skimmer (P0).

IX



PL Struktura drewniana

GB Wooden structure

DE Holzstruktur

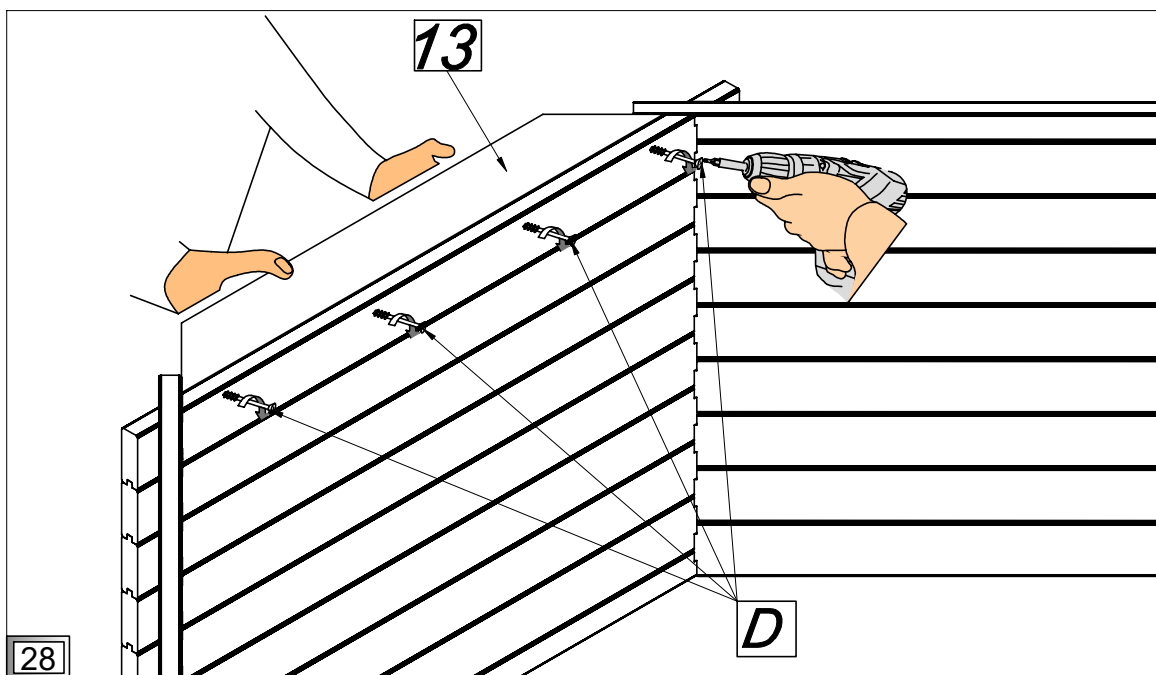
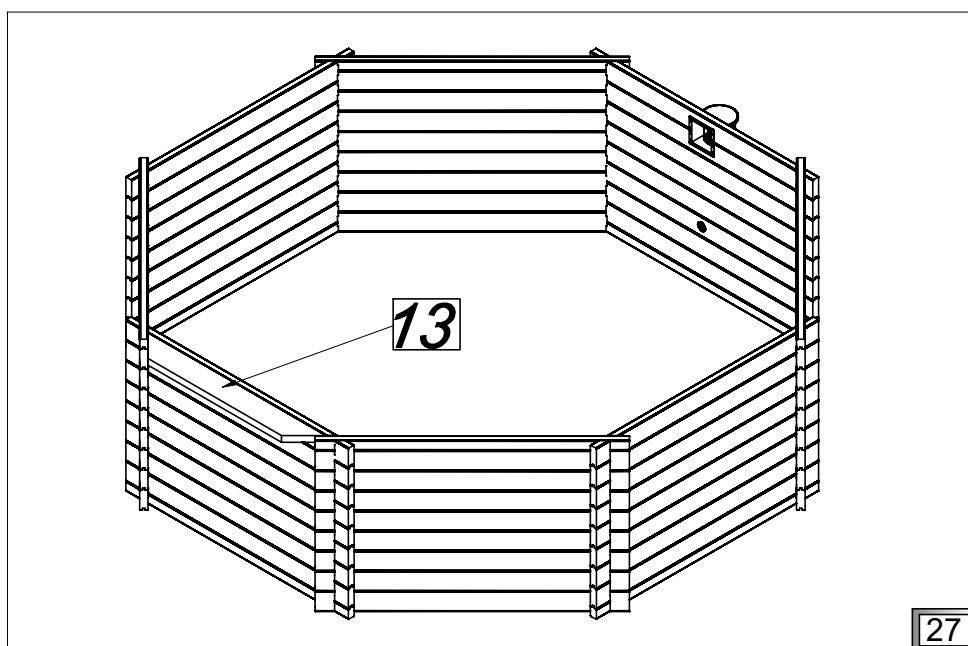
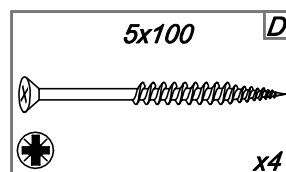
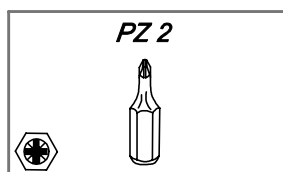
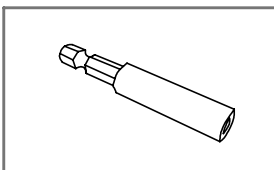
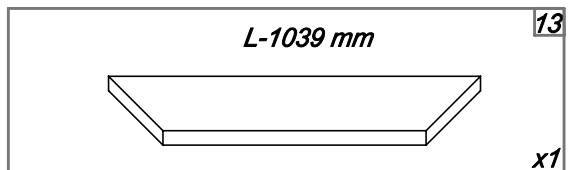
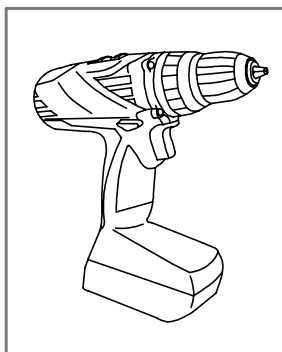
FR La structure bois

IT Struttura in legno

NL Houten structuur



- PL** Montaż wspornika schodów (13).
- FR** Le montage du renfort d'escalier (13).
- GB** Installation of stairs support (13).
- IT** Montaggio delle scale a sbalzo (13).
- DE** Montage von Treppenstützen (13).
- NL** Installatie van trappensteun (13).



(PL) *Struktura drewniana*

(GB) *Wooden structure*

(DE) *Holzstruktur*

(FR) *La structure bois*

(IT) *Struttura in legno*

(NL) *Houten structuur*



(PL) Rozłożenie konsol (18) według schematu.

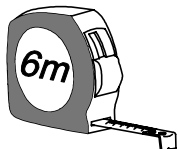
(FR) La disposition des supports des margelles (18) d'après le schéma.

(GB) Arrangement consoles (18) according to the drawing

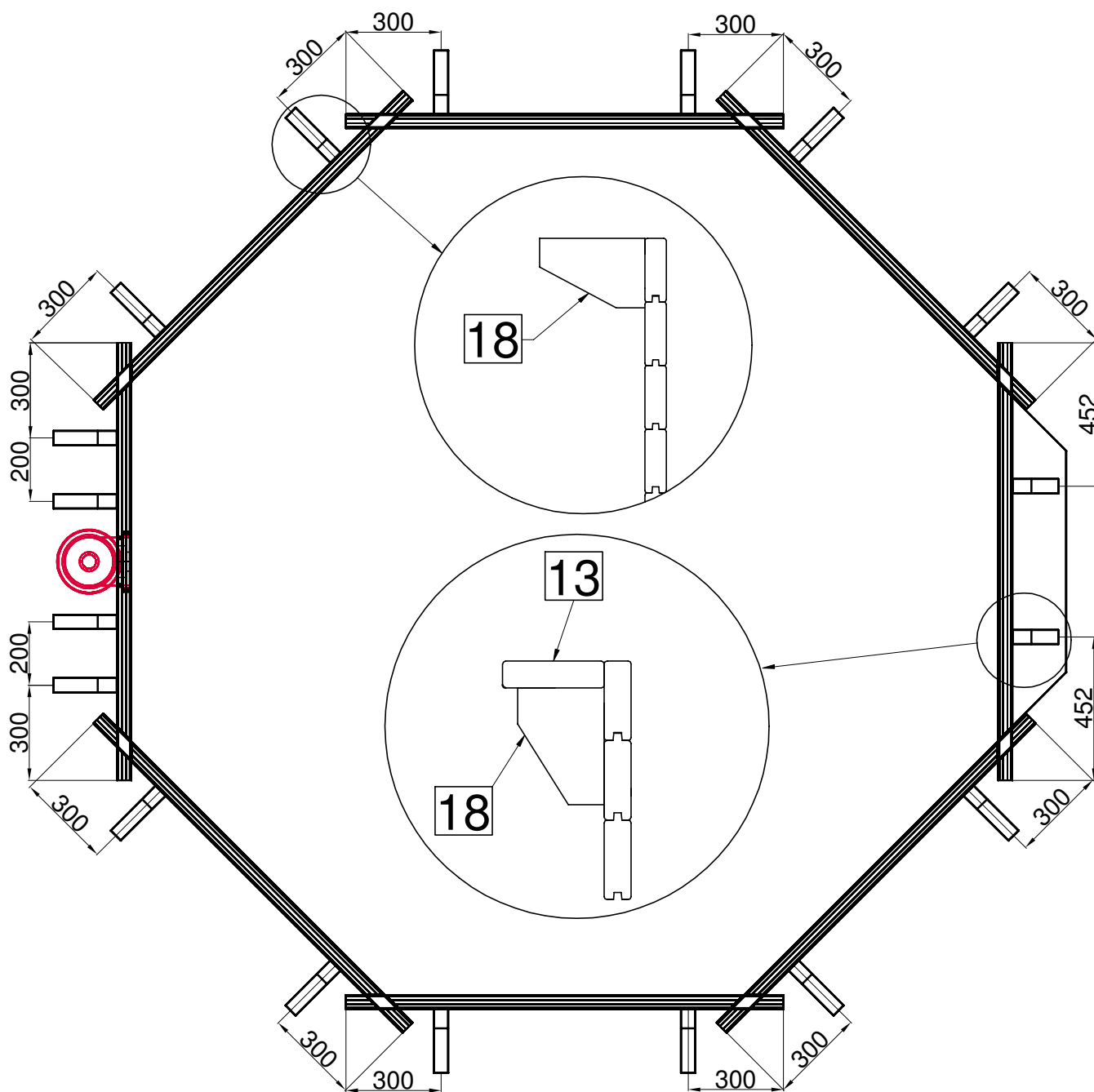
(IT) La distribuzione delle console (18), secondo lo schema.

(DE) Anordnung der Konsolen (18) gemäß der Zeichnung.

(NL) Opstelling van consoles (18) volgens de tekening.



[mm]



PL Struktura drewniana

GB Wooden structure

DE Holzstruktur

FR La structure bois

IT Struttura in legno

NL Houten structuur



PL Montaż konsol (18). Konsole montowane pod wspomnikiem schodów (13) według rysunku 32;33.

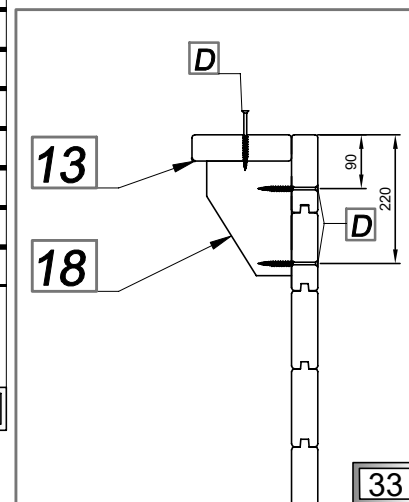
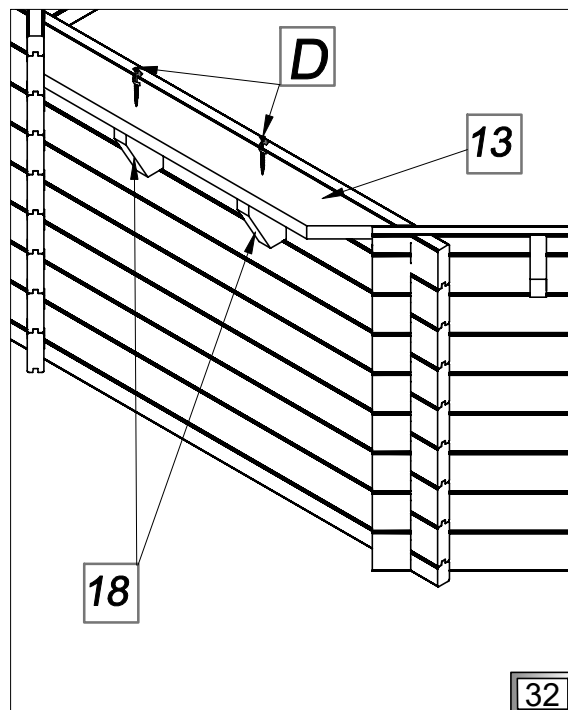
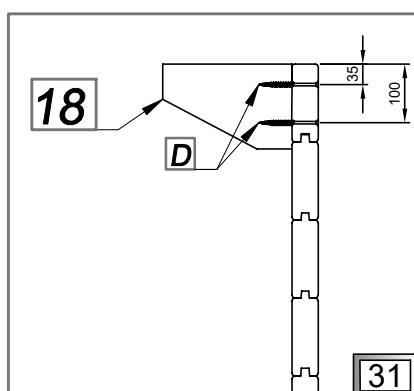
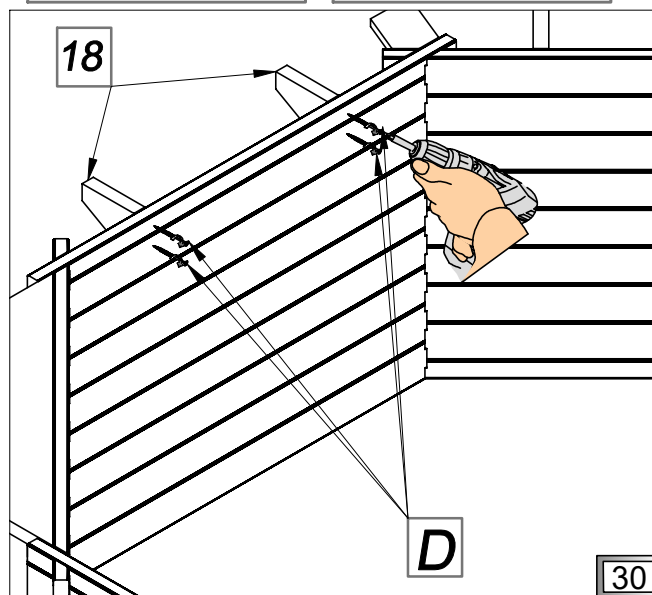
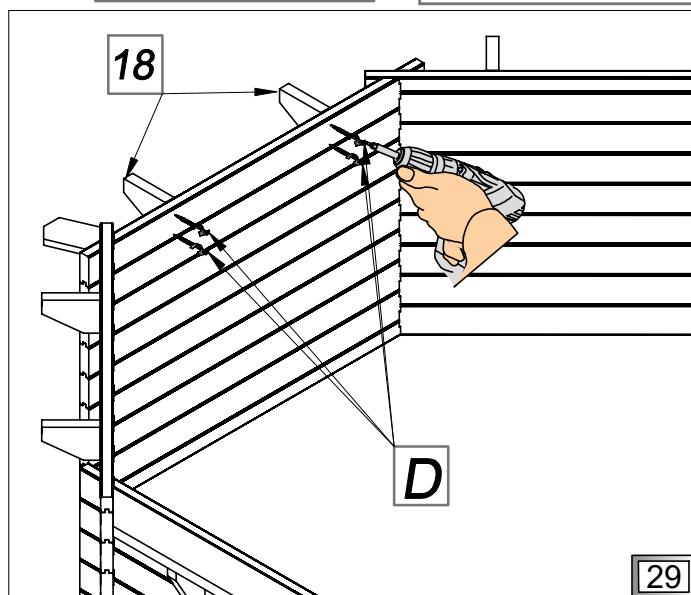
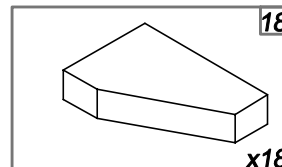
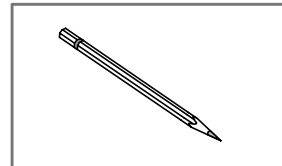
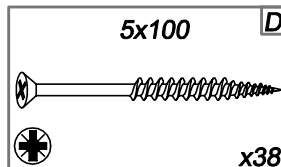
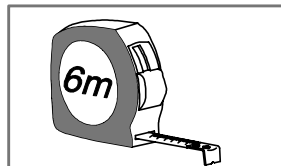
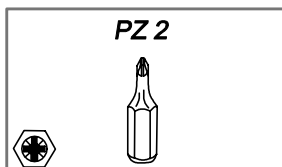
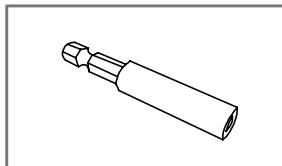
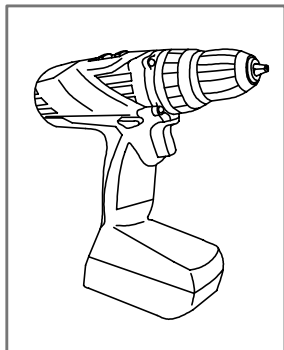
FR Montage des supports des margelles (18). Montez les supports des margelles sous le renfort d'escalier (13) d'après le dessin 32;33.

GB Installation of consoles (18). Consoles under ladder support (13) installed according to the drawings 32;33.

IT Il montaggio di console (18). Console sono montate sotto lo sbalzo della scala (13), come mostrato sul disegno 32;33.

DE Installation der Konsolen (18). Konsolen unter Leiterabstützung installiert (13) Schrauben entsprechend der Zeichnung anordnen 32;33.

NL Installatie van consoles (18). Consoles geïnstalleerd onder laddersteun (13) breng de schroeven aan volgens de tekening 32;33.



(PL) Struktura drewniana

(GB) Wooden structure

(DE) Holzstruktur

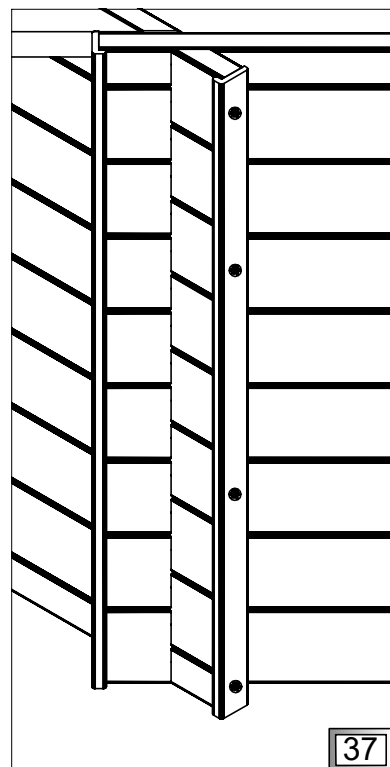
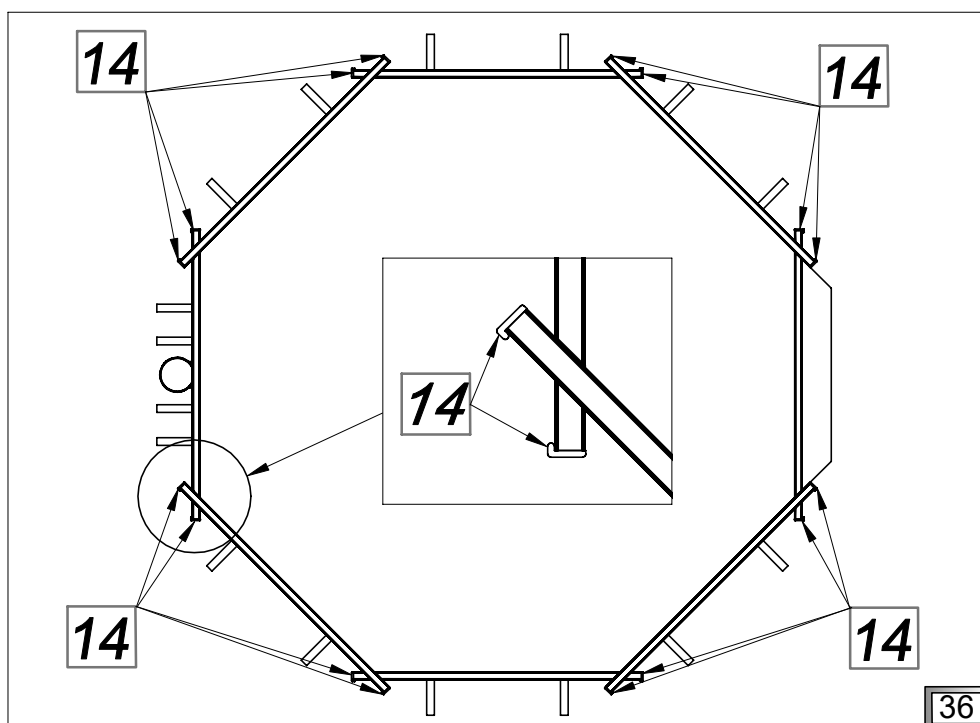
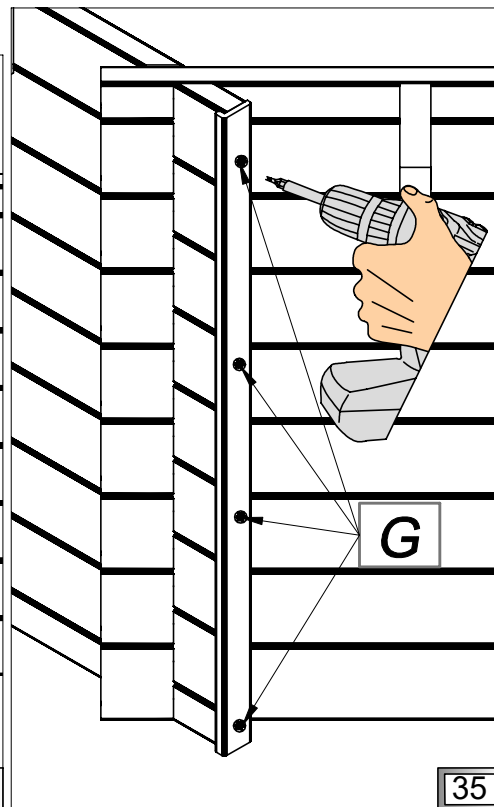
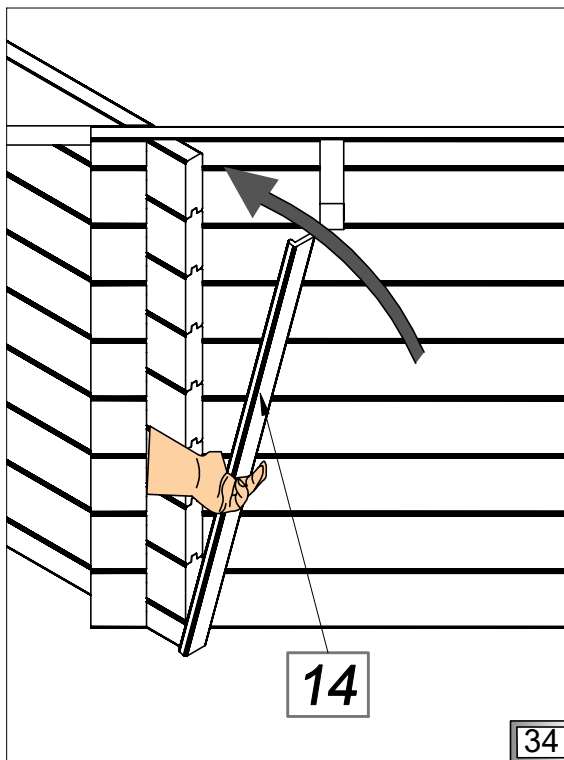
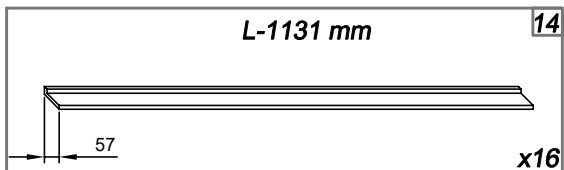
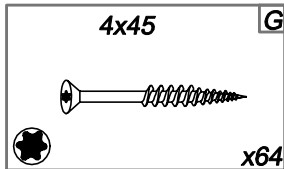
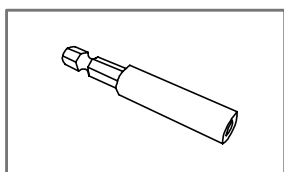
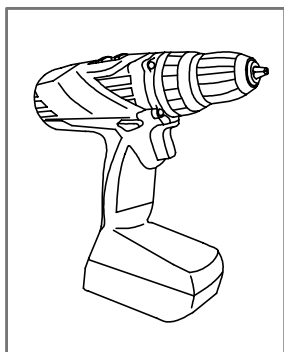
(FR) La structure bois

(IT) Struttura in legno

(NL) Houten structuur



- (PL)** Montaż maskownicy 57 mm (14).
- (FR)** Montage des caches 57 mm (14).
- (GB)** Installation of the masking element 57 mm (14).
- (IT)** Montaggio del mascherino 57 mm (14).
- (DE)** Installation der Abdeckelemente 57 mm (14).
- (NL)** Installatie van het maskeerelement 57 mm (14).



(PL) Geowłóknina

(GB) Geotextile

(DE) Geotextilien

(FR) Le géotextile

(IT) Geotessile

(NL) Geotextiel



(PL) Rozłożenie geowłókniny (S). Nakleić włókninę na wewnętrzną stronę basenu za pomocą taśmy 2-stronnej bądź kleju.

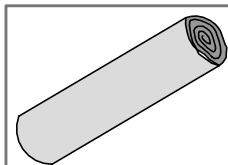
(FR) La pose du feutre (S). Collez le feutre a l'interieur de la structure à l'aide de colle ou de ruban adhésif double face.

(GB) The distribution of geotextile (S). Glue the geotextile to the inner side of pool wall. Use double-side tape or glue.

(IT) La distribuzione di geotessile (S). Incollii il geotessile al lato interno di muro di piscina. Uso nastro a due facce o colla.

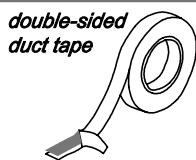
(DE) Verteilung von Geotextil (S). Kleben Sie das Geotextil an die Innenseite der Poolwand. Verwenden Sie doppelseitiges Klebeband oder Kleber.

(NL) Distributie van geotextiel (S). Lijm het geotextiel aan de binnenkant van de zwembadwand. Gebruik dubbelzijdige tape of lijm.

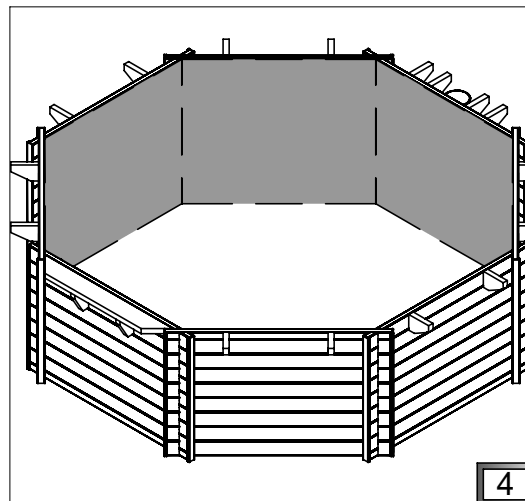
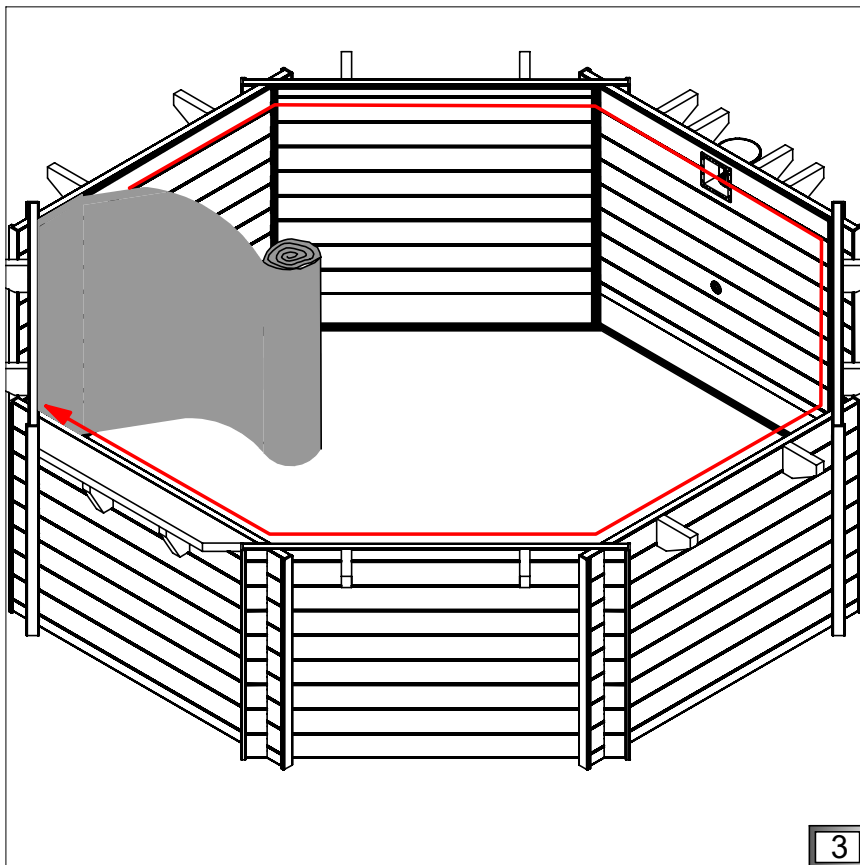
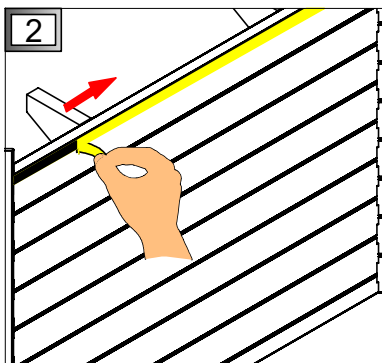
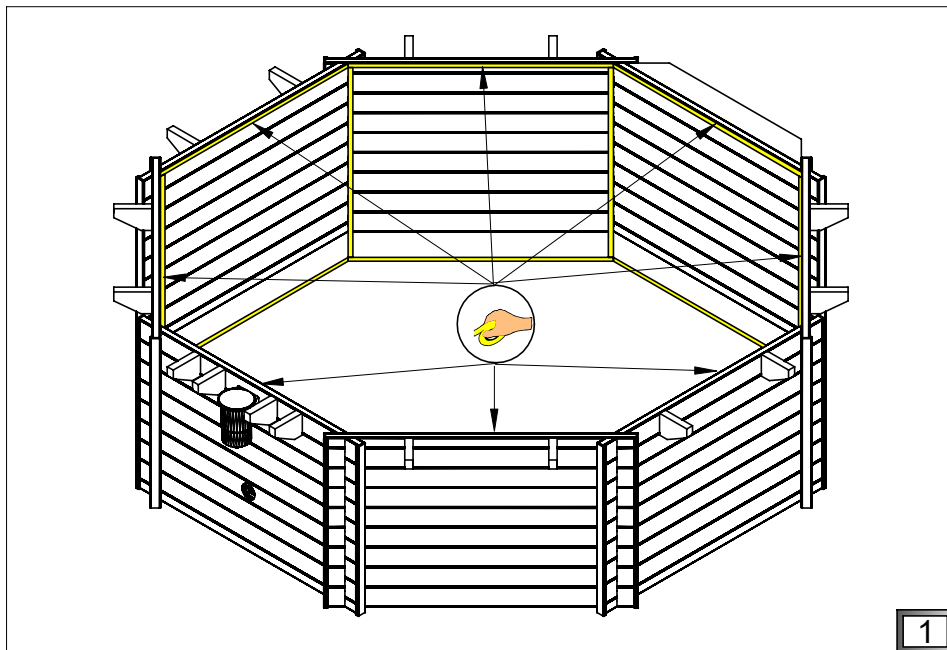
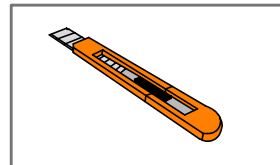
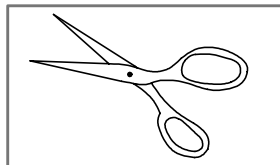


S

x1



double-sided
duct tape



(PL) Profile PVC

(GB) PVC profiles

(DE) PVC-Profile

(FR) Les profils PVC

(IT) Profili in PVC

(NL) PVC-profielen



(PL) Profile PVC (J) przyciąć na wymiar. Wykonać otwory \varnothing 2 mm wg schematu.

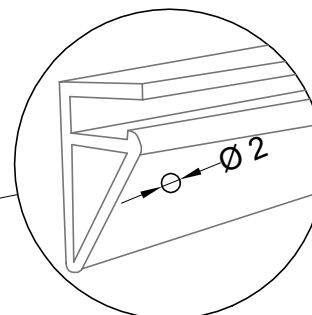
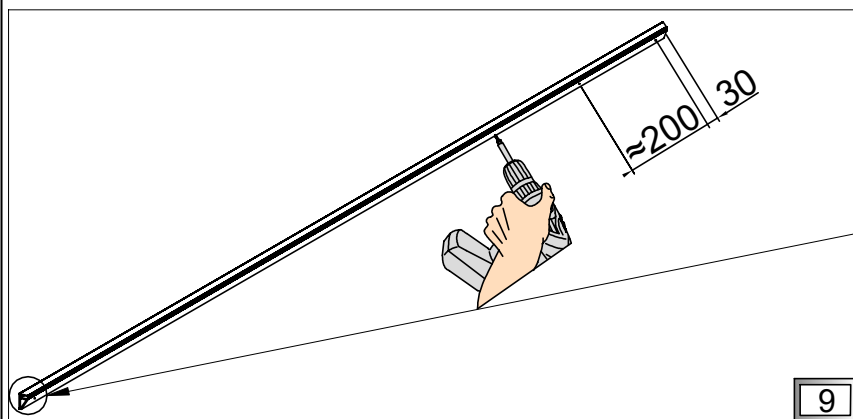
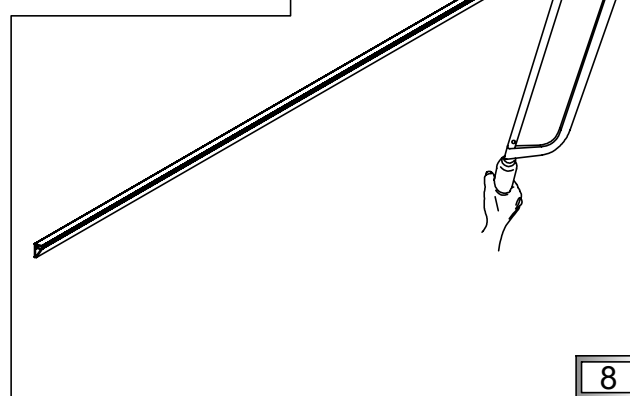
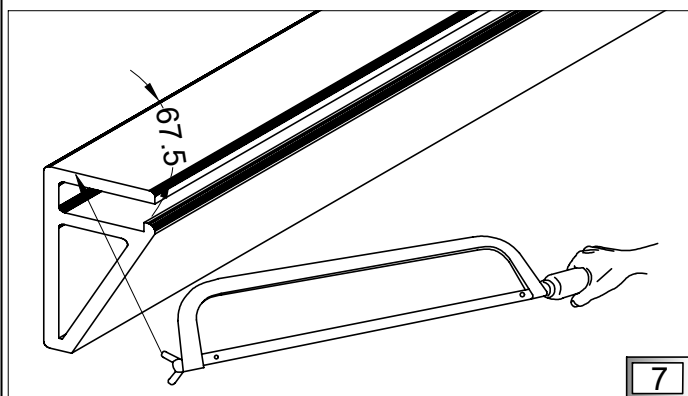
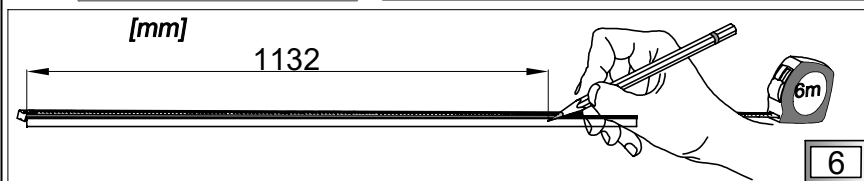
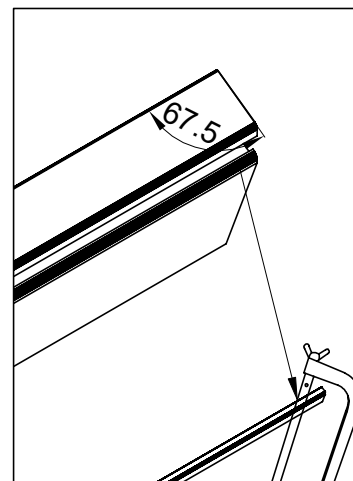
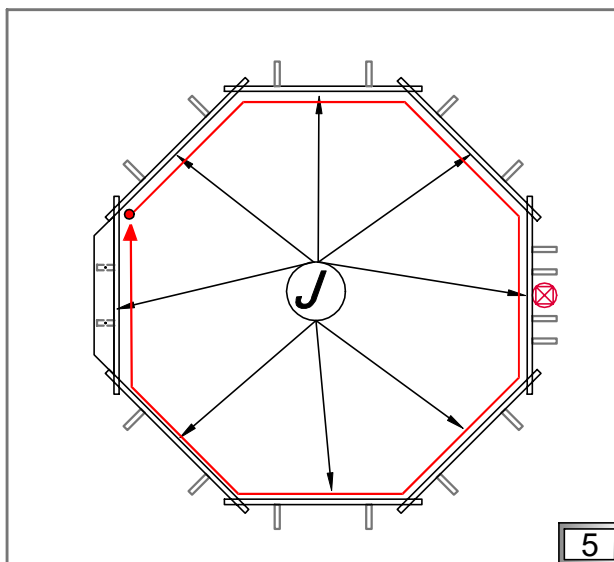
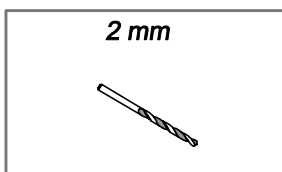
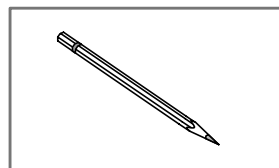
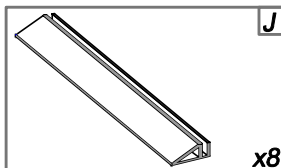
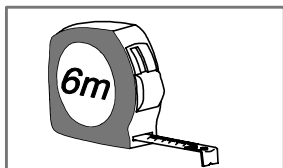
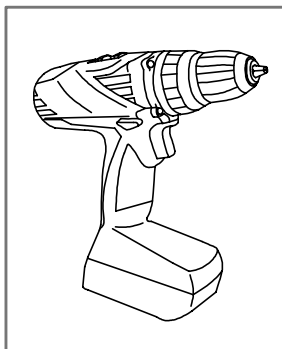
(FR) Coupez les profilés PVC (J) d'accrochage et faites les pré-perçements \varnothing 2 mm d'après le schéma.

(GB) Cut PVC profiles (J) according to the drawing. Make holes \varnothing 2 mm according to the scheme.

(IT) Profili in PVC (J) adottare alla dimensione. Eseguire due fori \varnothing 2 mm secondo lo schema.

(DE) Schneiden Sie PVC-Profile (J) gemäß der Zeichnung ab. Machen Sie anhand des Schemas Löcher von \varnothing 2 mm.

(NL) Snijd PVC-profielen (J) volgens de tekening. Maak gaten van \varnothing 2 mm volgens het schema.



(PL) Profile PVC

(GB) PVC profiles

(DE) PVC-Profile

(FR) Les profils PVC

(IT) Profili in PVC

(NL) PVC-profielen



(PL) Montaż profili PVC (J) do struktury drewnianej. Profile (J) łączymy na żądaną długość.

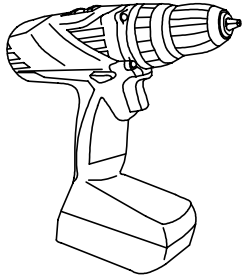
(FR) Montage des profils d'accrochage PVC (J) à la structure. Ajoutez les profilés (J) les uns aux autres pour obtenir la longueur souhaitée.

(GB) Mounting PVC profiles (J) to the wooden structure. Join profiles (J) to achieve desired length.

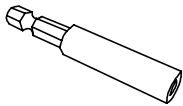
(IT) Il montaggio di profili in PVC (J) per strutture in legno. Il profili (J) combinare per la lunghezza desiderata.

(DE) Montage von PVC-Profilen (J) an der Holzkonstruktion. Verbinden Sie Profile (J), um die gewünschte Länge zu erreichen.

(NL) PVC-profielen (J) aan de houten structuur koppelen. Voeg profielen (J) samen om de gewenste lengte te bereiken.

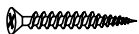


PZ 1

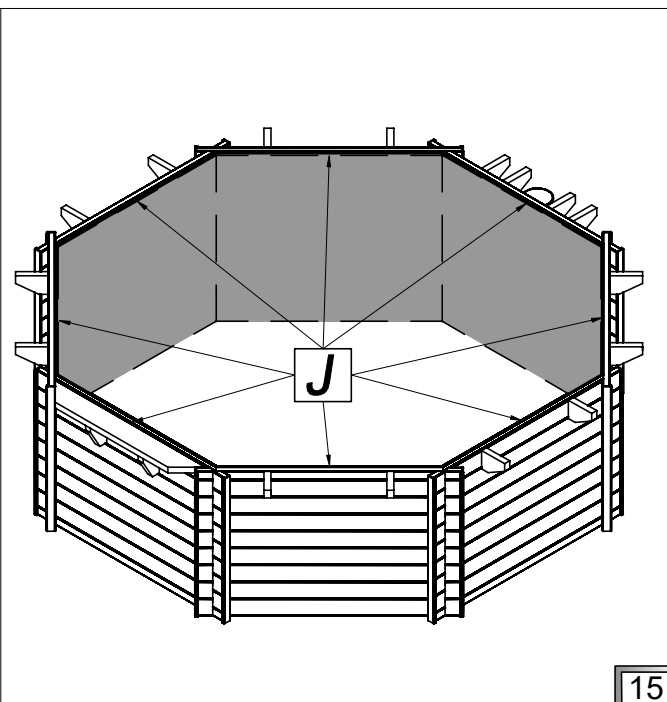
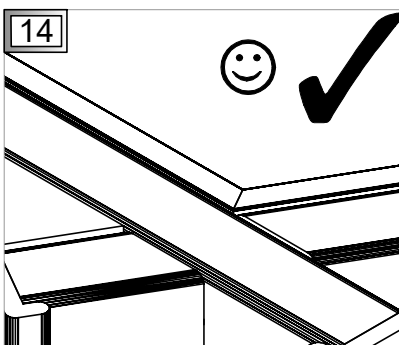
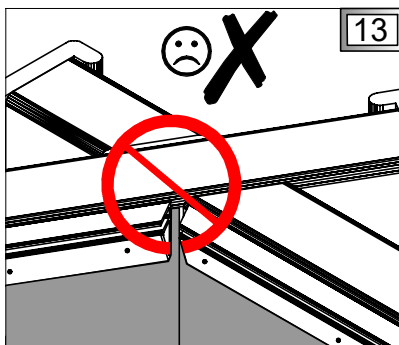
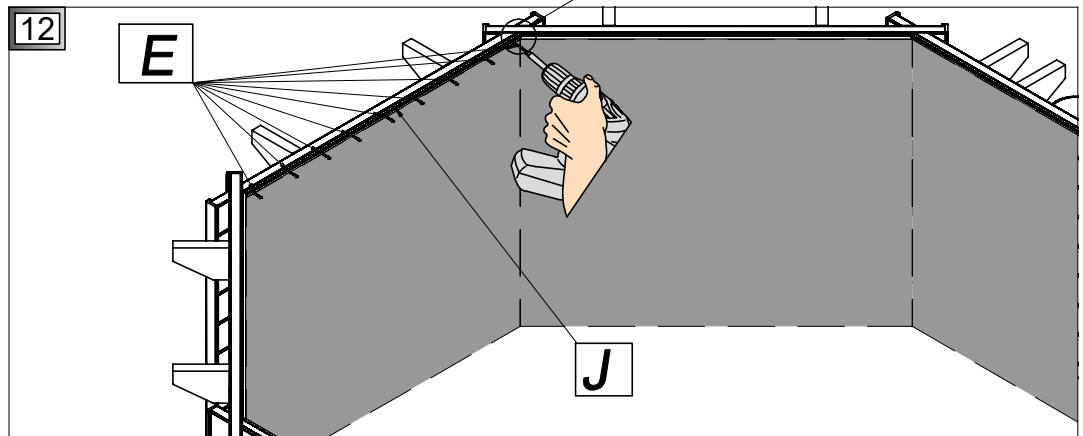
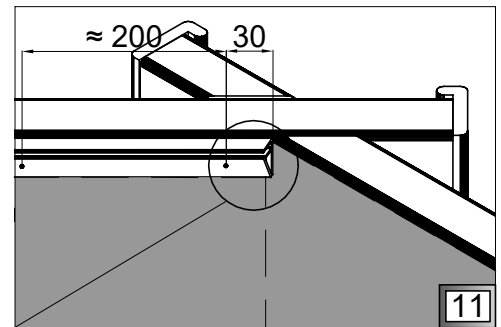
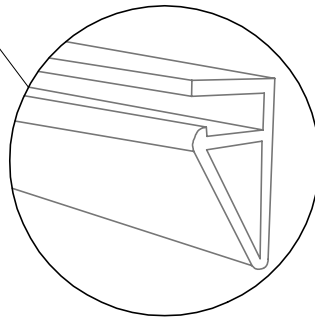
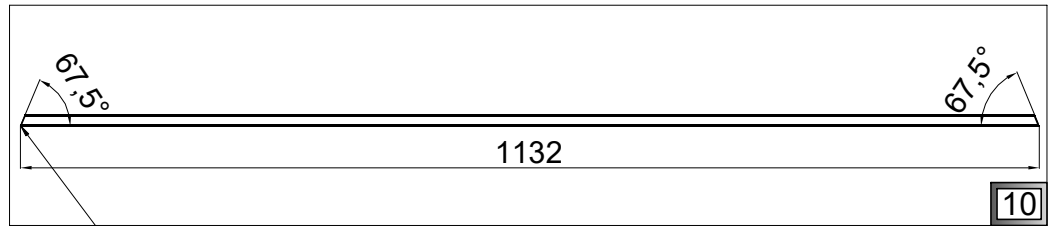
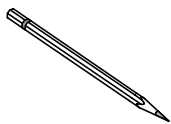
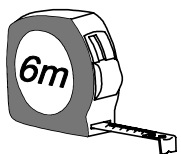
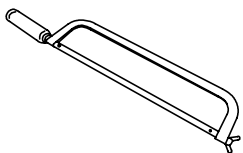


3x35

E



x64



PL Geotóknina i liner

GB Geotextile and liner

DE Geotextilien und Futter

FR Géotextile et liner

IT Geotessile e liner

NL Geotextiel en voering



PL Rozłożenie geotókniny (K) oraz liner (foli basenowej) (L).

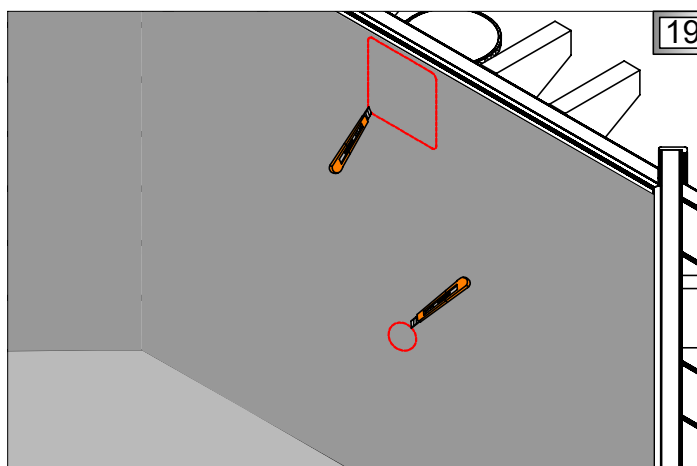
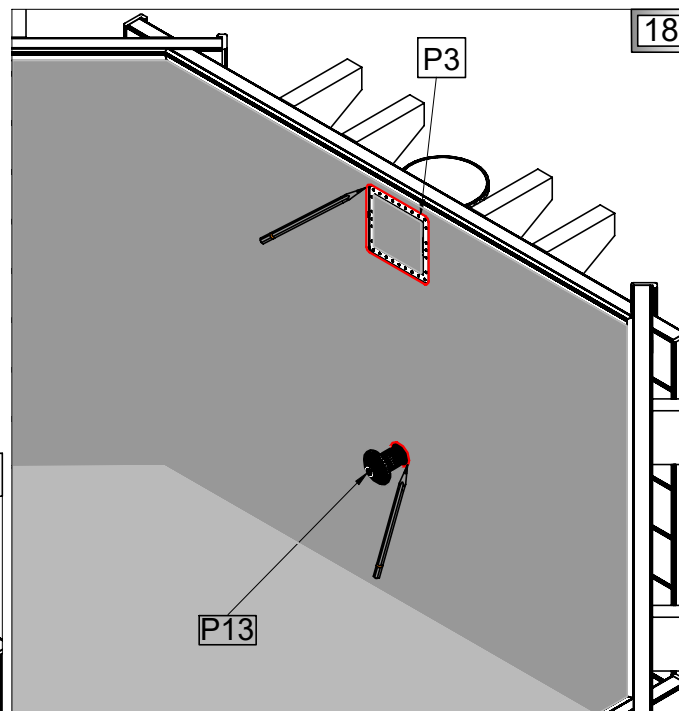
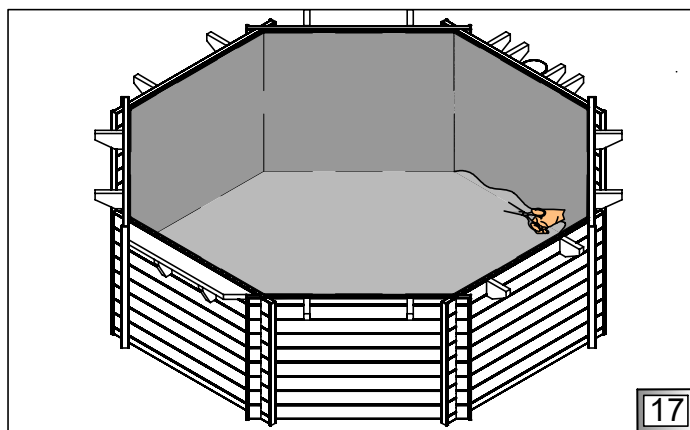
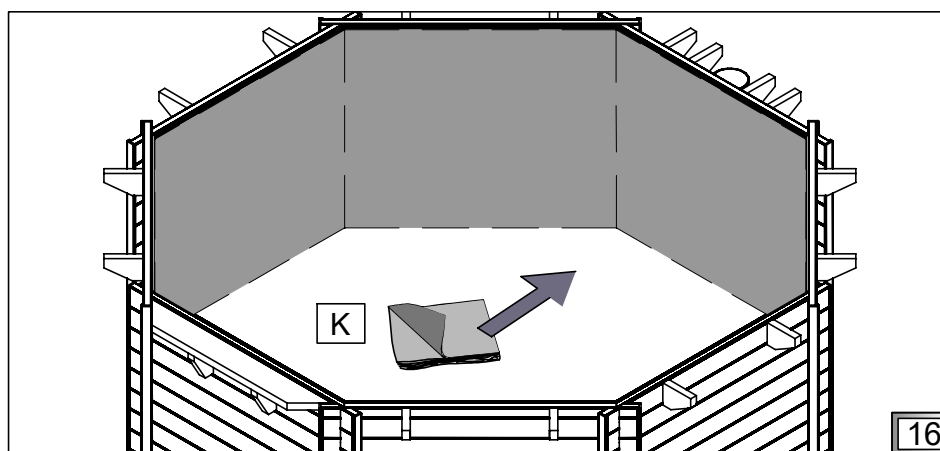
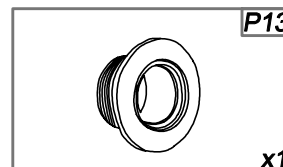
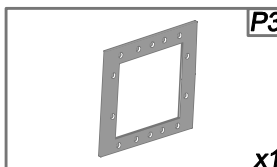
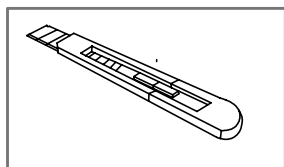
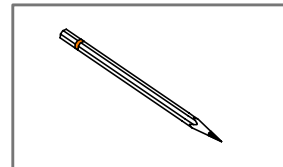
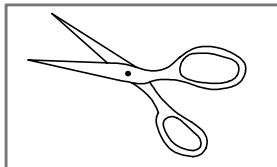
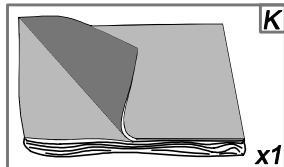
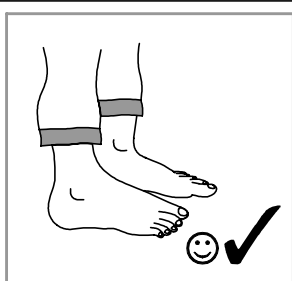
FR Mise en place du feutre (K) et du liner (L).

GB Installation of the geotextile (K) and liner (L).

IT Distribuzione di geotessile (K) e di liner (foglia per piscina) (L).

DE Installation des Geotextils (K) und von Futter (Einhängfolie) (L).

NL Installatie van het geotextiel (K) en voering (L).



(PL) Geowłóknina i liner

(GB) Geotextile and liner

(DE) Geovlies und Liner

(FR) Géotextile et liner

(IT) Geotessile e liner

(NL) Geotextiel en voering



(PL) Rozłożenie geowłókniny (K) oraz liner (foli basenowej) (L).

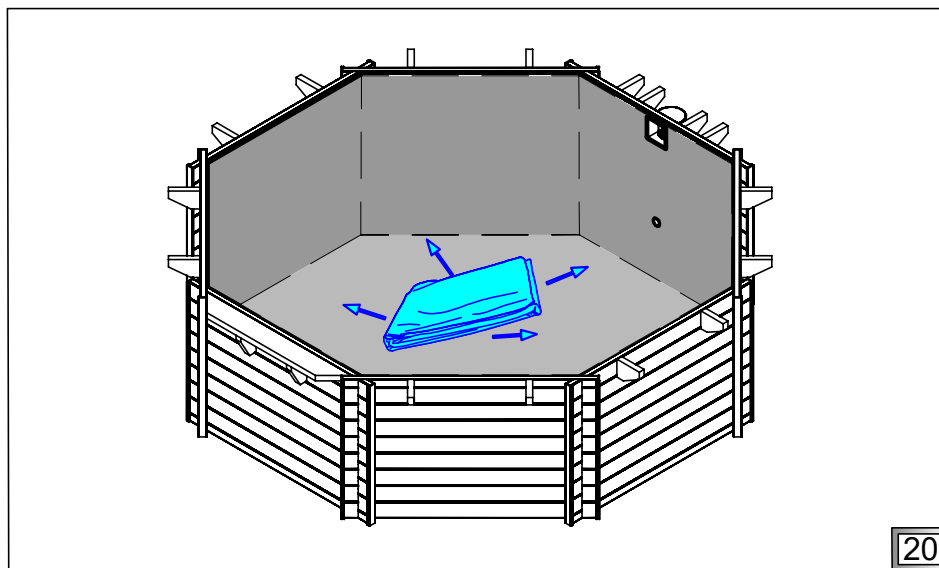
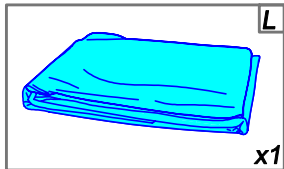
(FR) Mise en place du feutre (K) et du liner (L).

(GB) Installation of the geotextile (K) and liner (L).

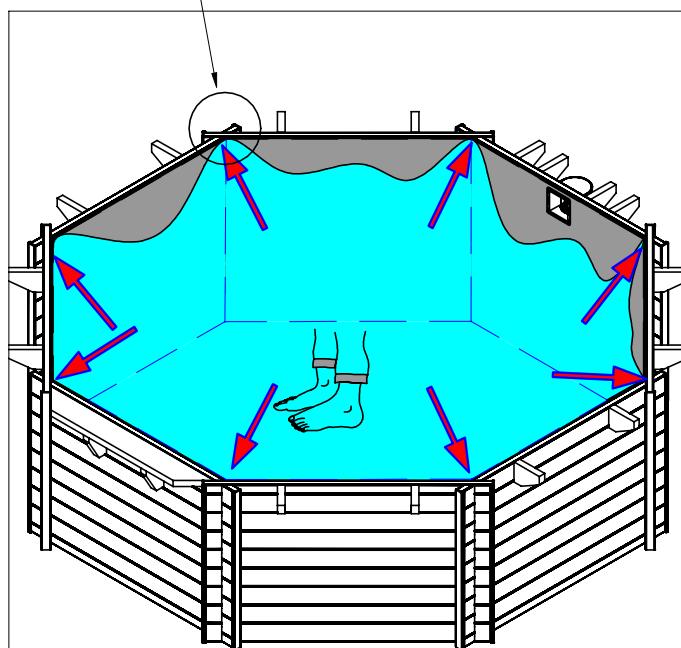
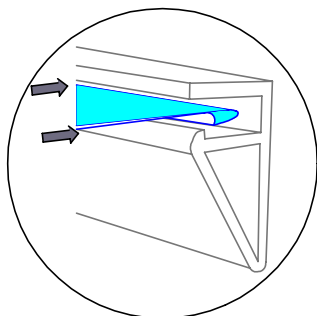
(IT) Distribuzione di geotessile (K) e di liner (foglia per piscina) (L).

(DE) Installation des Geotextils (K) und von Futter (Einhängfolie) (L).

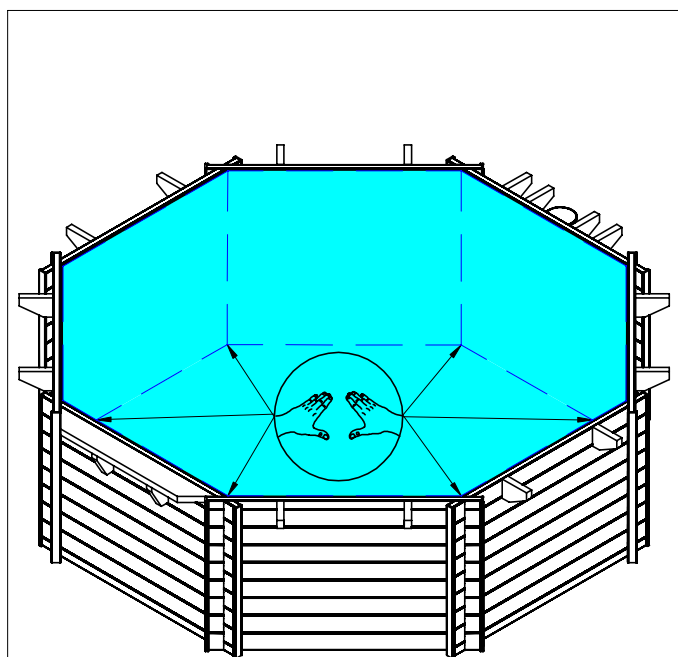
(NL) Installatie van het geotextiel (K) en voering (L).



20



21



22

PL Liner

GB Liner

DE Futter

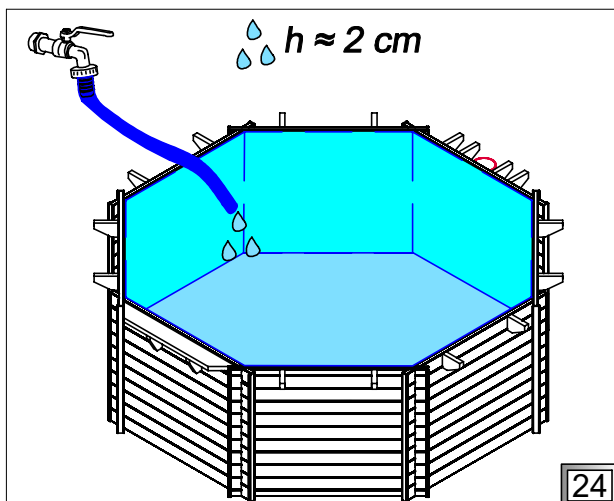
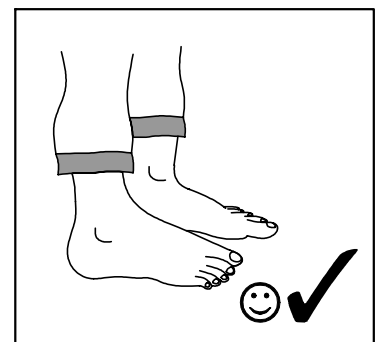
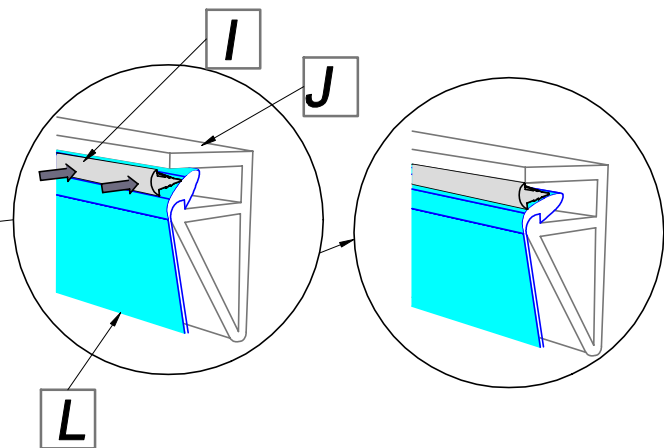
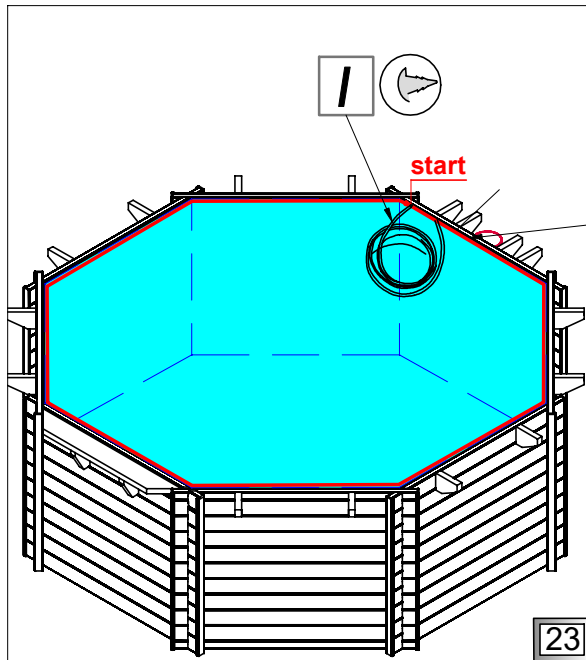
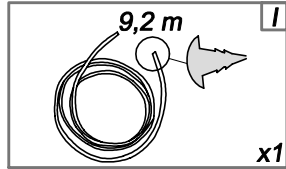
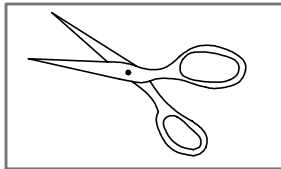
FR Liner

IT Liner

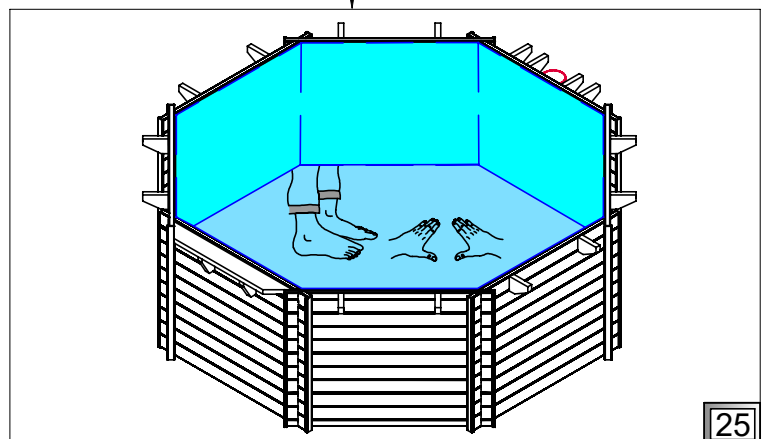
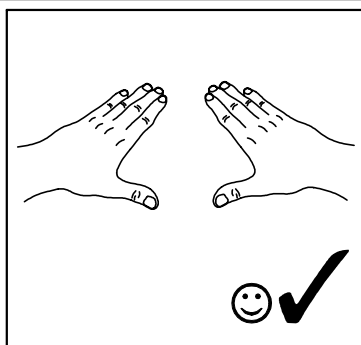
NL Voering



- PL** Montaż linera oraz stopera (I) w profilach PVC (J).
- FR** Le montage du liner et de la bandelette (I) pour les profils d'accrochage (J).
- GB** Mounting the liner and liner lock (I) in PVC profiles (J).
- IT** Il montaggio di liner e tappo (I) in profili in PVC (J).
- DE** Montage des Verschluss des Futters (I) der PVC-Profile (J).
- NL** De voeringvergrendeling (I) in PVC-profielen monteren (J).



- PL** Wyrównaj sfałdowania po nalaniu wody.
- FR** Etalez les plis après avoir mis de l'eau.
- GB** Smooth all folds after pouring water.
- IT** Allineare le piegature dopo il versamento di acqua.
- DE** Glätten Sie alle Falten nachdem Sie das Wasser eingelassen haben.
- NL** Maak alle vouwen glad na het vullen van water.



(PL) Dysze

(GB) Nozzles

(DE) Düsen

(FR) Les buses de refoulement

(IT) Ugelli

(NL) Jet straal



(PL) Po kolejnym nalaniu wody wyrównać sfaldowania. Wytnij otwór pod dyszę.

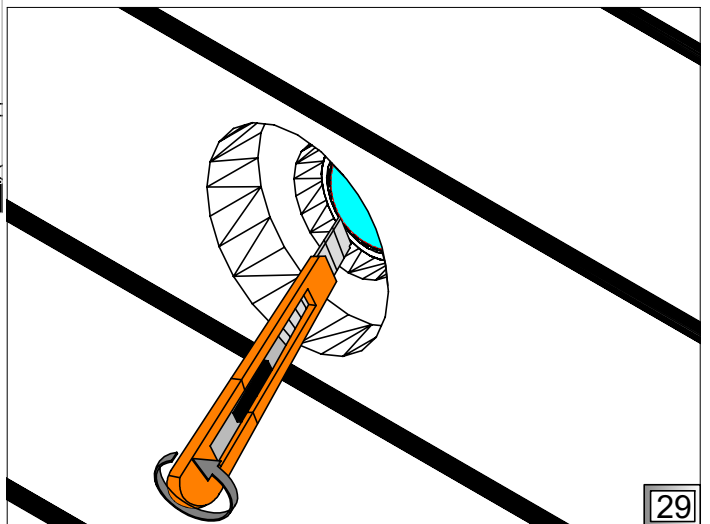
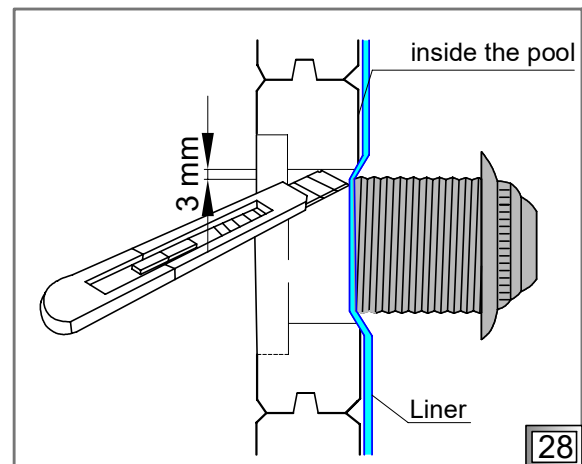
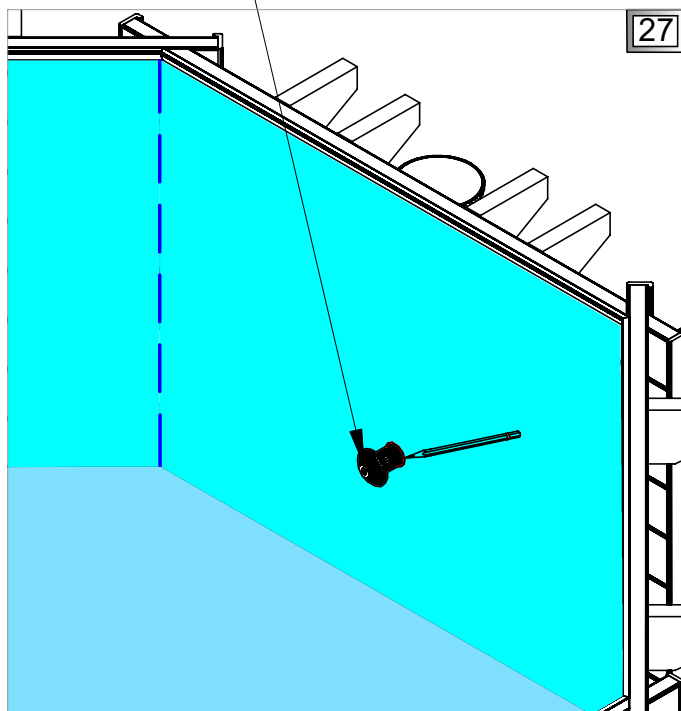
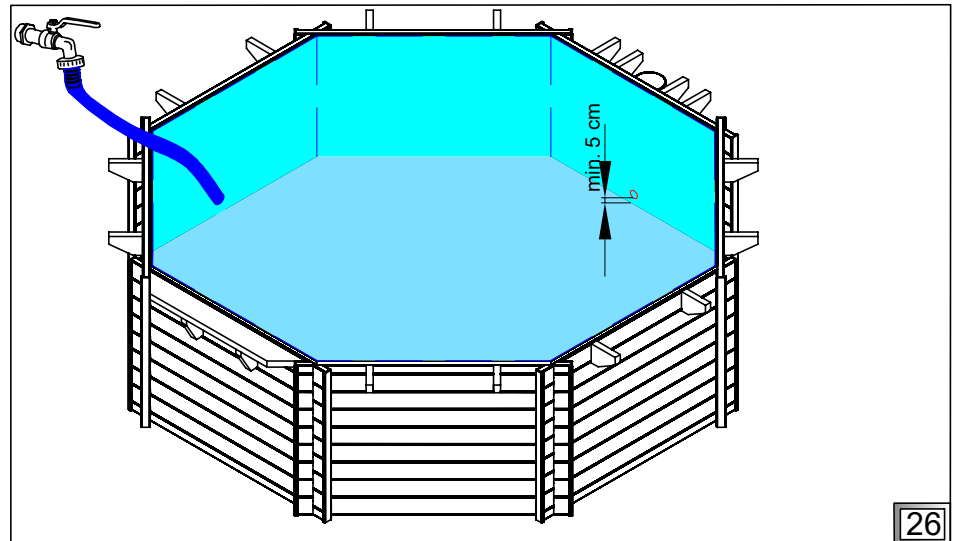
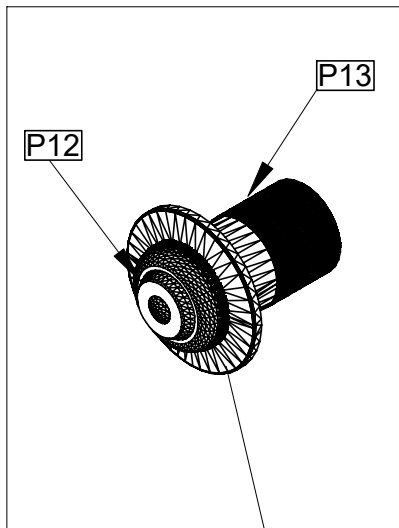
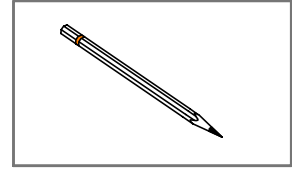
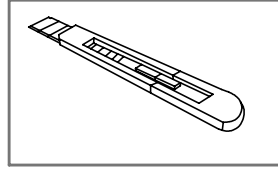
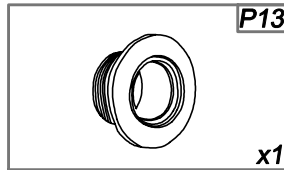
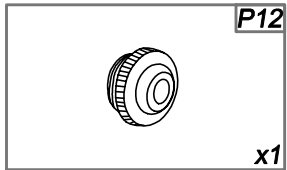
(FR) Après le versement de l'eau éliminez les plis. Faites les trous pour la buse de refoulement.

(GB) After pouring the water smooth all folds. Cut the hole for the nozzle.

(IT) Dopo un altro riempimento di acqua livellare le pieghe. Ritagliare i fori fino all'ugello.

(DE) Nachdem Sie das Wasser eingelassen haben, glätten Sie alle Falten. Schneiden Sie das Loch für die Düse heraus.

(NL) Strijk na het vullen van het water alle vouwen soepel. Snijd het gat voor de straalpijp.



(PL) Dysze

(GB) Nozzles

(DE) Düsen

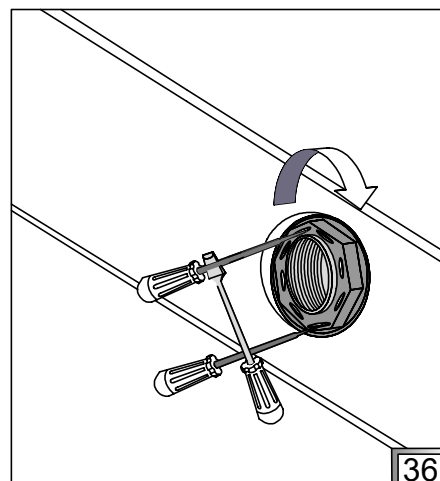
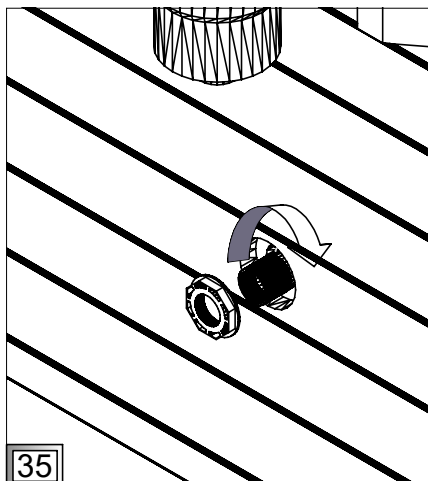
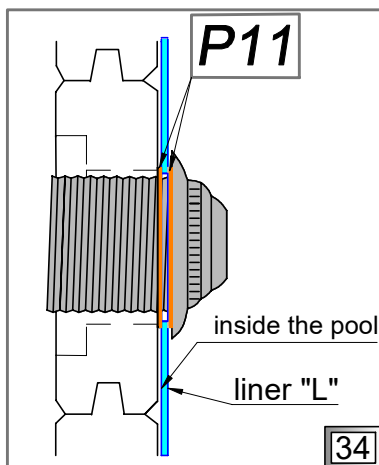
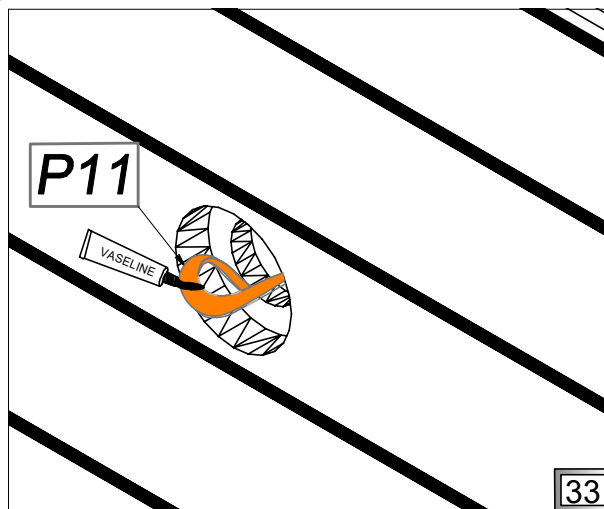
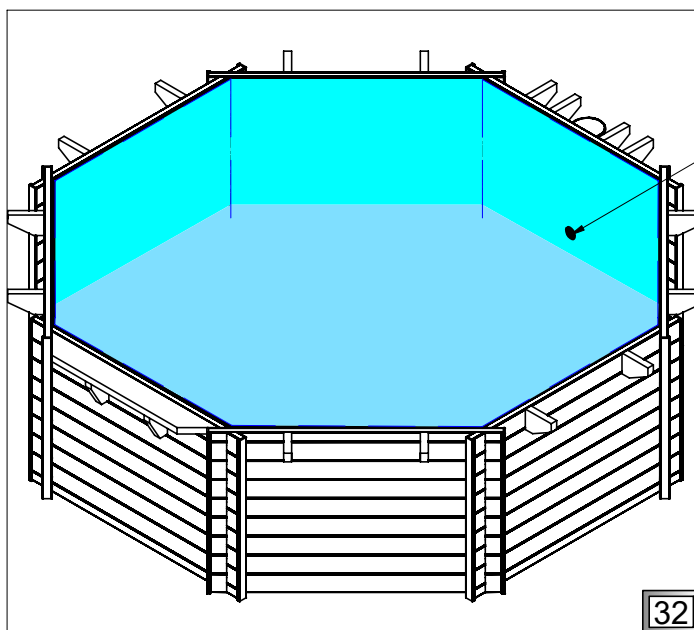
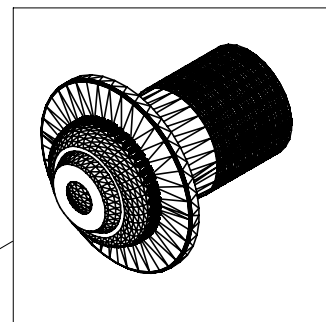
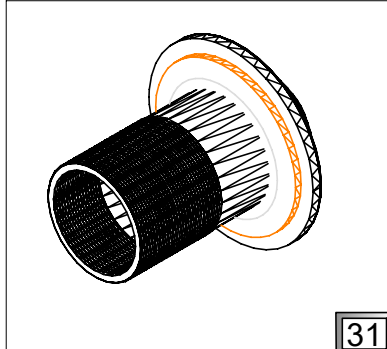
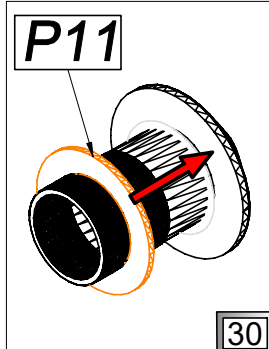
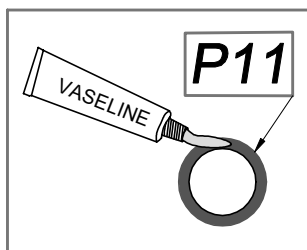
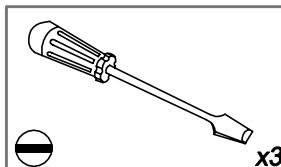
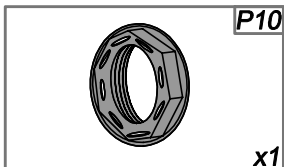
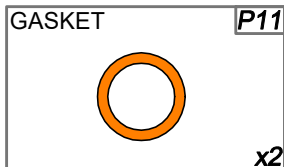
(FR) Les buses de refoulement

(IT) Ugelli

(NL) Jet straal



- (PL)** Uszczelki (P11) posmarować wazeliną od strony linera. Mocowanie dysz.
- (FR)** Etalez de la vaseline sur les joints (P11) du côté du liner. Le montage de la buse de refoulement.
- (GB)** Smear liner facing side of the gasket (P11) with vaseline. Installation of nozzles.
- (IT)** Sui sigilli (P11) da parte di liner mettere la vaselina. Fissaggio dei ugelli.
- (DE)** Beschmieren Sie die dem Futter (P11) zugewandte Seite der Dichtung mit Vaseline. Installation der Düsen.
- (NL)** Smeer de naar de voering (P11) gerichte kant van de pakking in met vaseline. Installatie van de jet straal.



(PL) Dysze

(GB) Nozzles

(DE) Düsen

(FR) Les buses de refoulement

(IT) Ugelli

(NL) Jet straal



(PL) Pokryj gwint dysz taśmą teflonową.

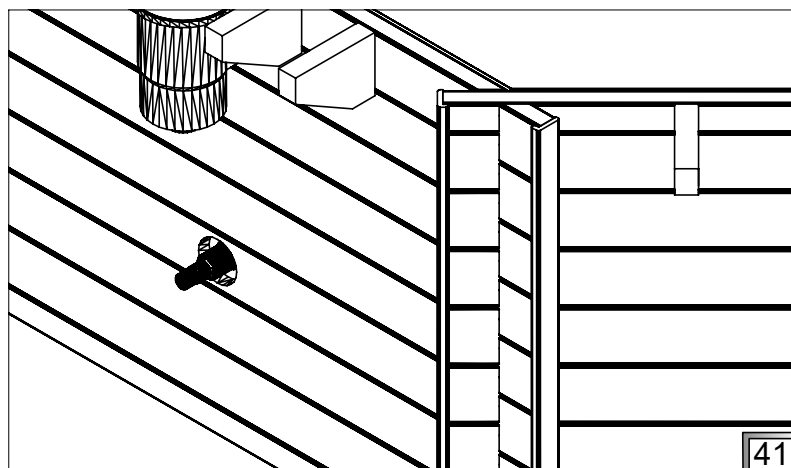
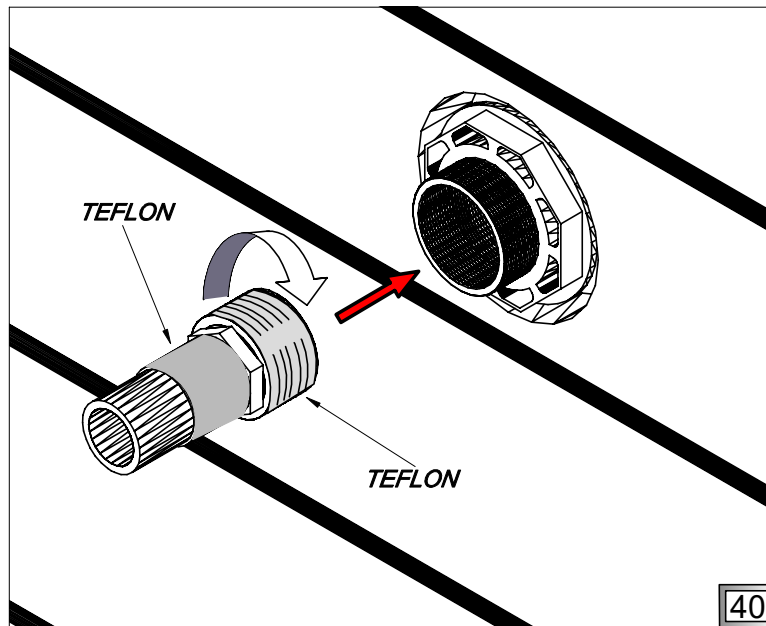
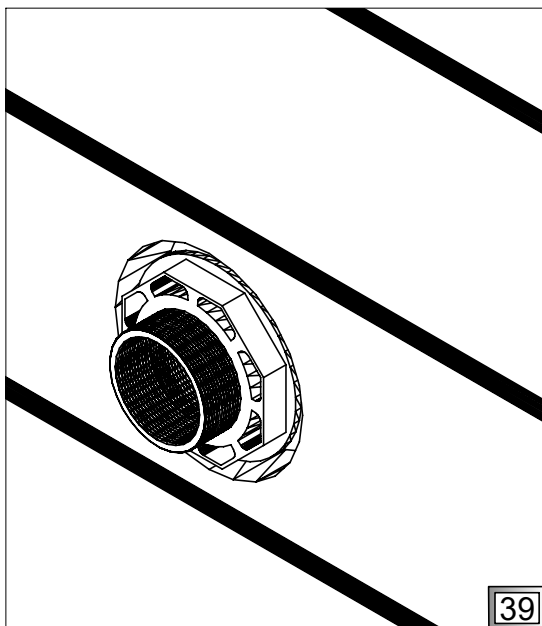
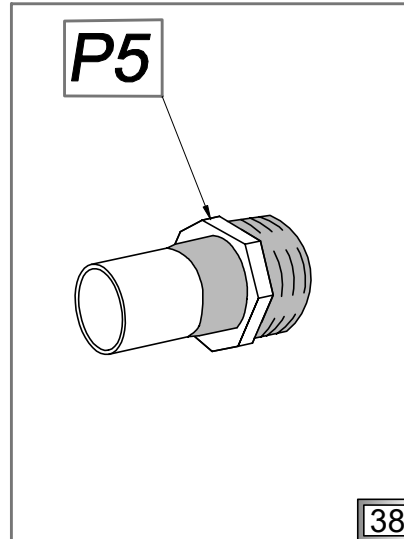
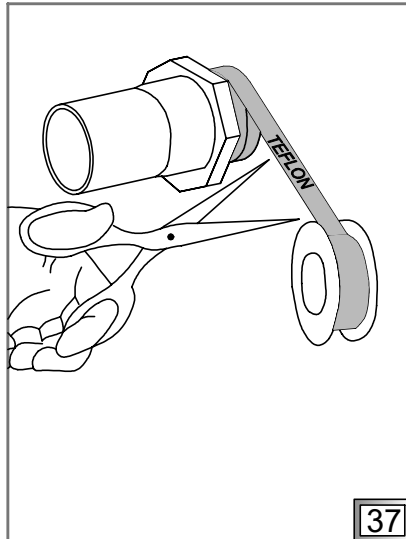
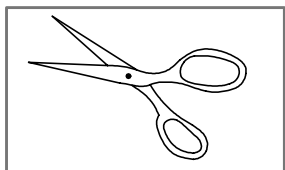
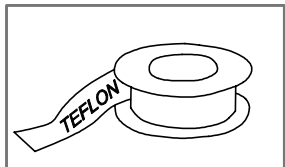
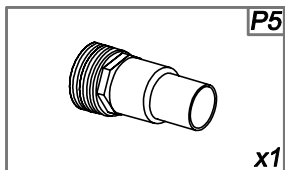
(FR) Mettez le ruban teflon sur la partie filetée de la buse.

(GB) Cover thread of hose connector with teflon tape.

(IT) Ricoprire il filetto degli ugelli con il nastro di teflon.

(DE) Decken Sie das Gewinde des Schlauchanschlusses mit Teflonband ab.

(NL) Dek de kabel van de slangconnector af met teflon-tape.



(PL) Napełnianie wodą

(GB) Filling with water

(DE) Wasser einlassen

(FR) Le versement de l'eau

(IT) Riempimento con acqua

(NL) Vullen met water



(PL) Kontynuuj napełnianie wodą. Wytnij otwór w miejscu skimmera (P0).

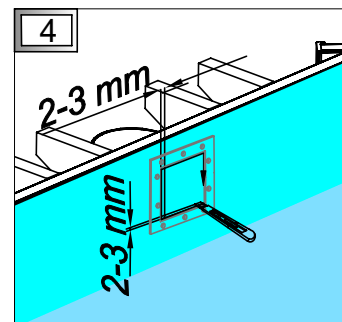
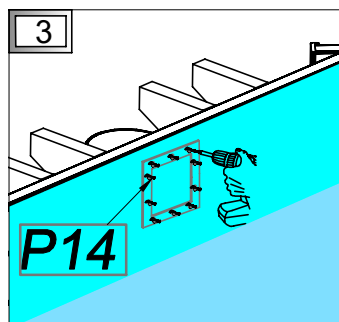
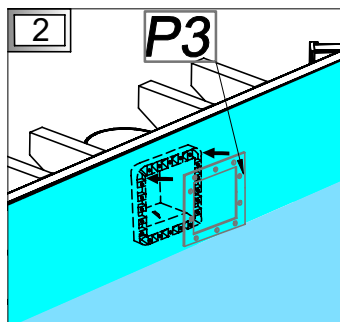
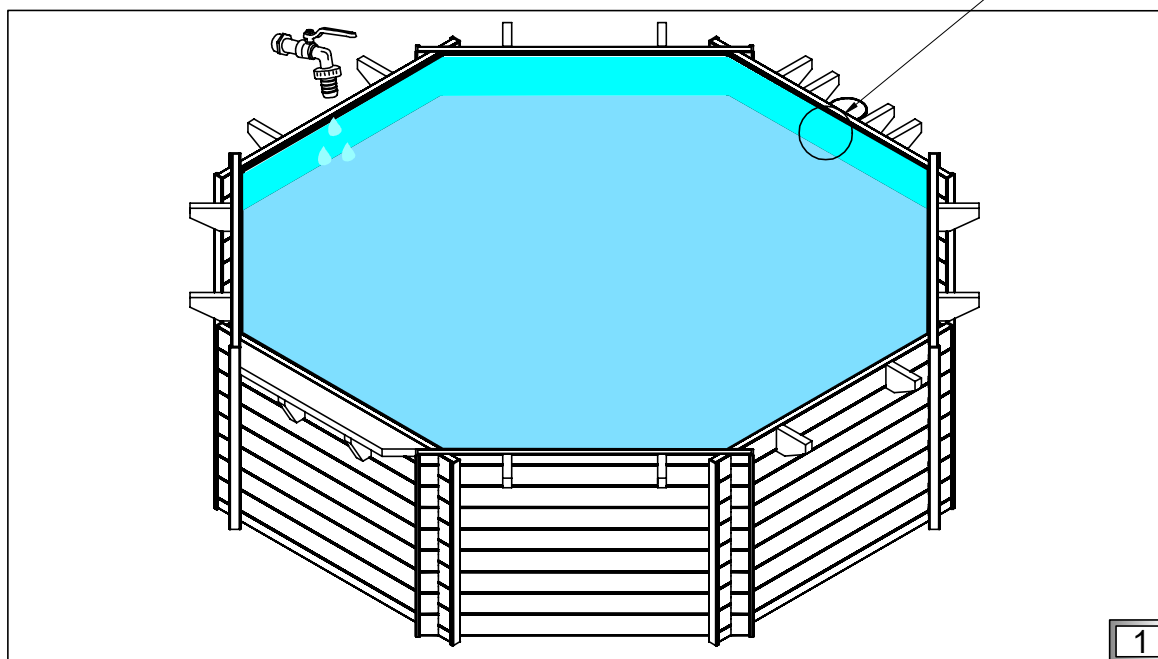
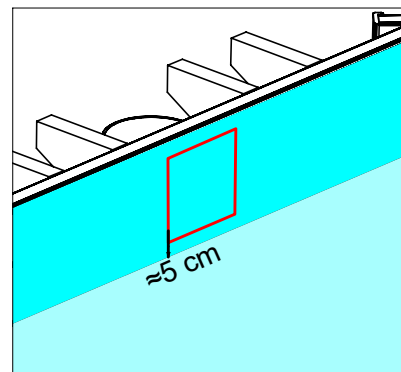
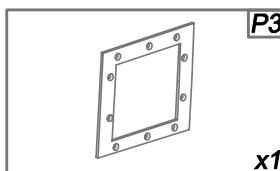
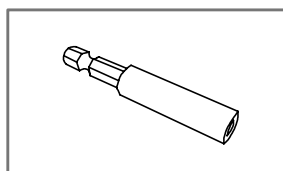
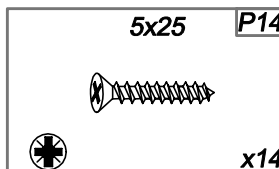
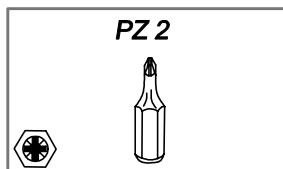
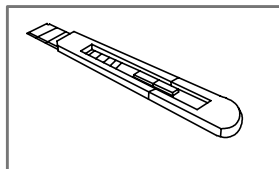
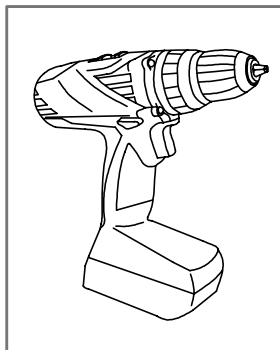
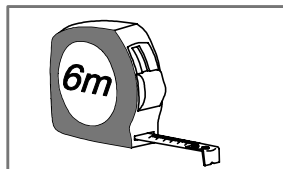
(FR) Continuez à mettre de l'eau. Coupez un trou pour le skimmer (P0).

(GB) Keep pouring water. Cut a hole in the place of skimmer (P0).

(IT) Continuare a riempire con acqua. Tagliare il foro nel posto dello skimmer (P0).

(DE) Lassen Sie weiterhin Wasser einlaufen. Schneiden Sie ein Loch an der Stelle des Skimmers (P0).

(NL) Blijf water vullen. Snijd een gat in de plaats van de skimmer (P0).



(PL) Napelnianie wodą

(GB) Filling with water

(DE) Wasser einlassen

(FR) Le versement de l'eau

(IT) Riempimento con acqua

(NL) Vullen met water



(PL) Usuń ramkę (P3). Zamocuj uszczelkę (P4), ramkę (P3), maskownicę (P2).

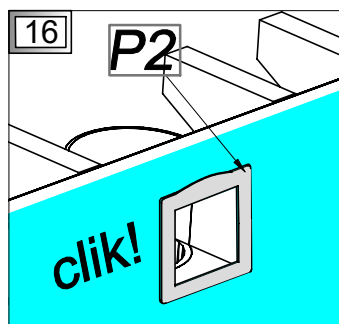
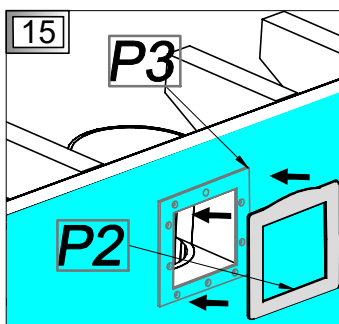
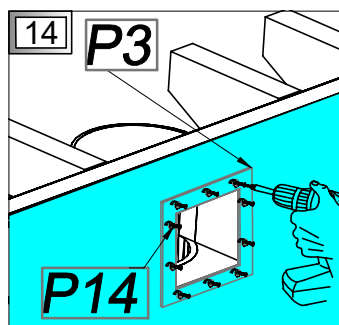
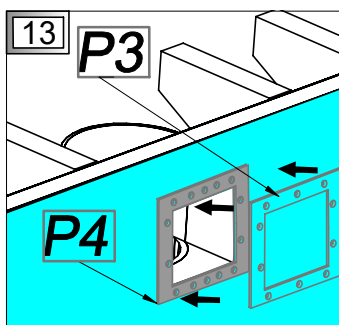
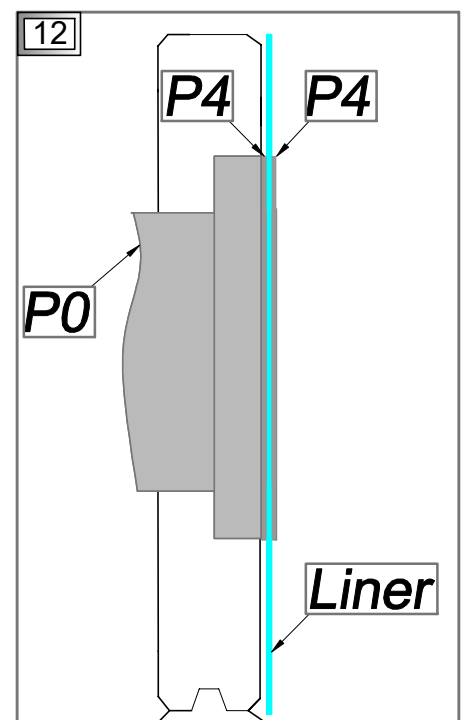
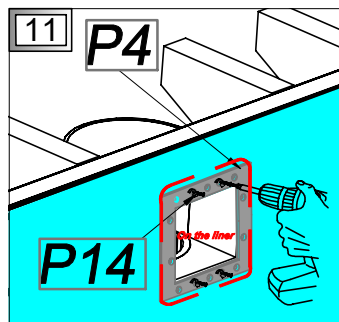
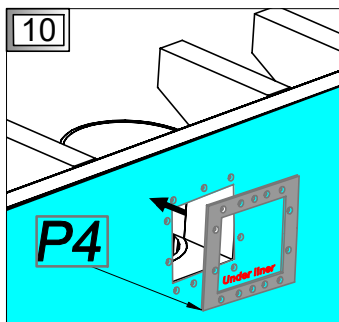
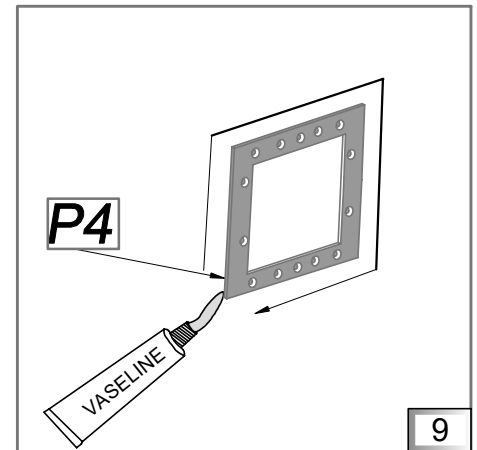
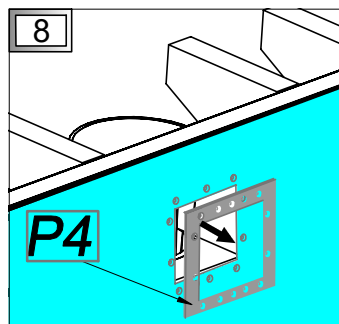
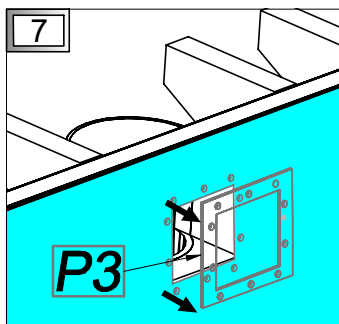
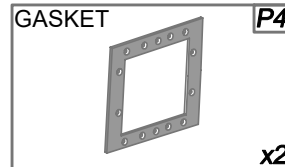
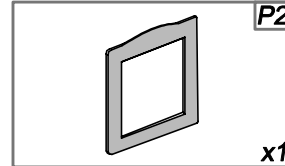
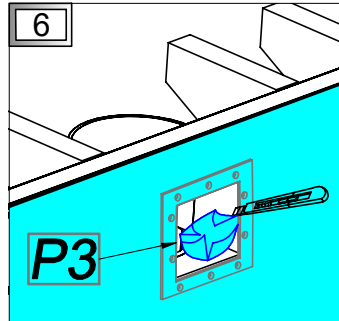
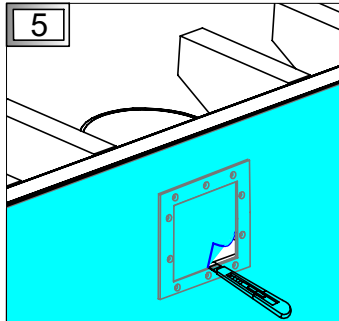
(FR) Enlevez le cadre (P3). Fixez le joint (P4), le cadre (P3), le cache (P2).

(GB) Remove a frame (P3). Install gasket (P4), frame (P3), skimmer frame(P2).

(IT) Rimuovere la cornice (P3). Montare la guarnizione (P4), la cornice (P3).

(DE) Entfernen Sie einen Rahmen (P3). Installieren Sie Dichtung (P4), Rahmen (P3), Abdeckrahmen (P2).

(NL) Verwijder een kader (P3). Installeer pakking (P4), frame (P3), skimmer frame (P2).



(PL) Napełnianie wodą

(GB) Filling with water

(DE) Wasser einlassen

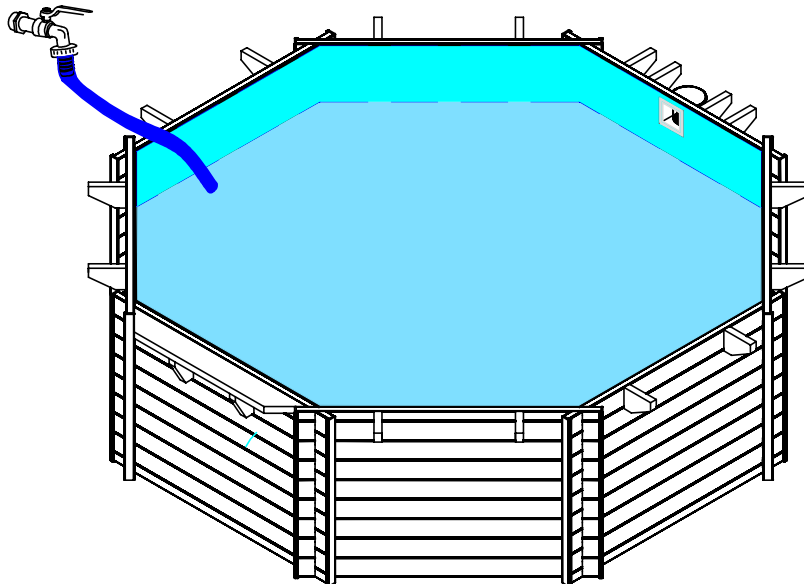
(FR) Le versement de l'eau

(IT) Riempimento con acqua

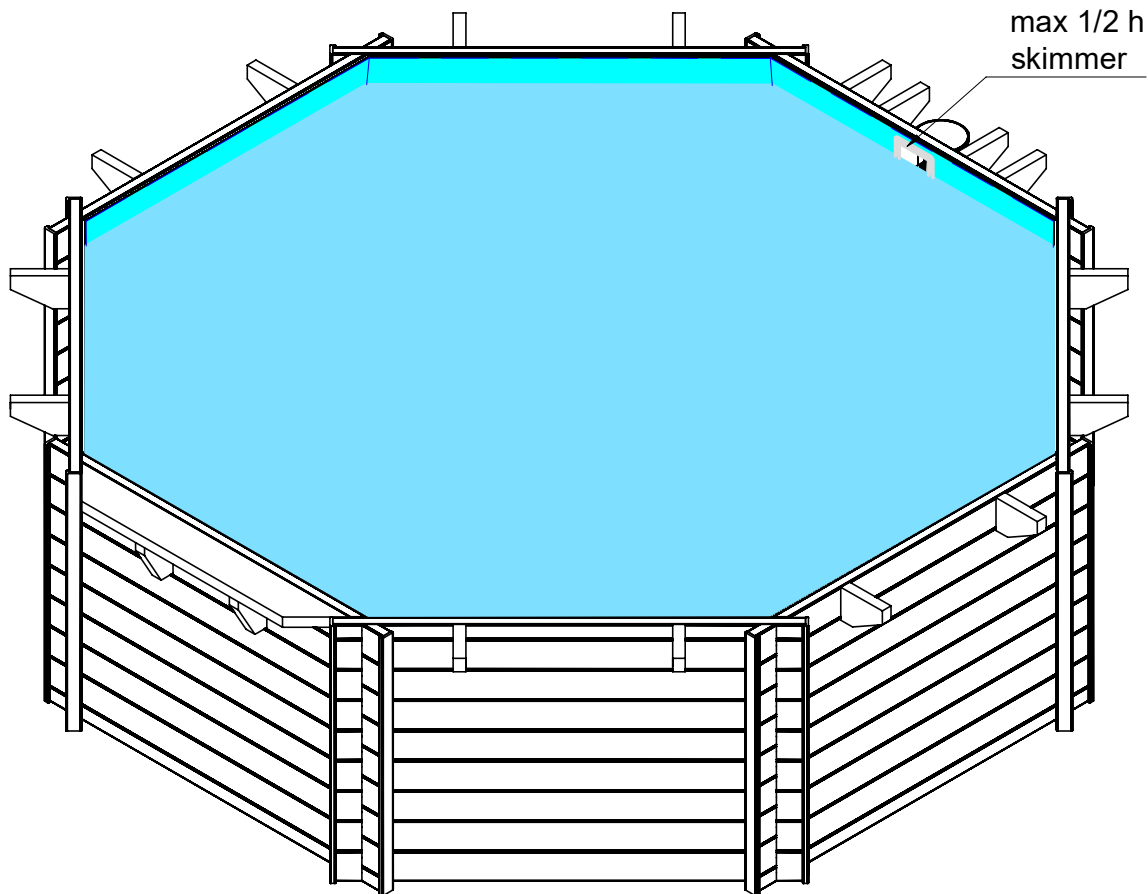
(NL) Vullen met water



- (PL)** Napełnij wodą do połowy wysokości maskownicy.
- (FR)** Remplissez d'eau jusqu'à mi-hauteur du cadre skimmer.
- (GB)** Fill with water to the middle of the skimmer frame.
- (IT)** Riempire con acqua a metà dell'altezza del mascherino.
- (DE)** Füllen Sie Wasser bis zur Mitte des Abdeckelements
- (NL)** Vul het water tot het midden van het skimmer frame.



17



18

PL Taras

GB Terrace

DE Terrasse

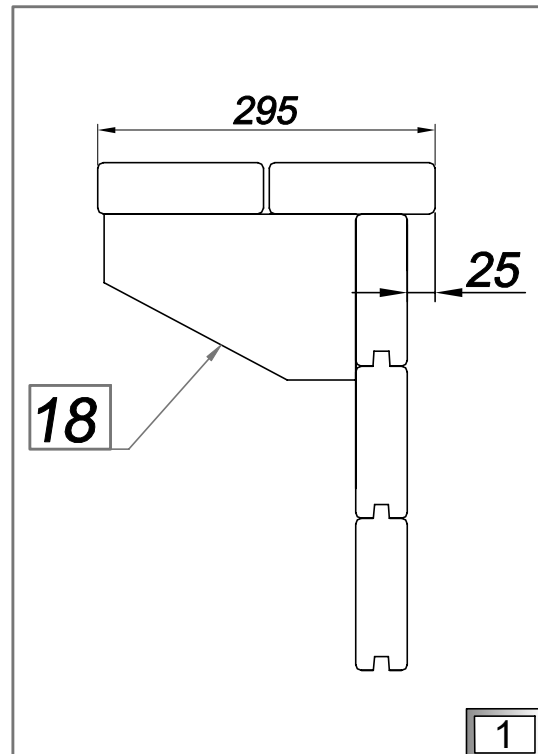
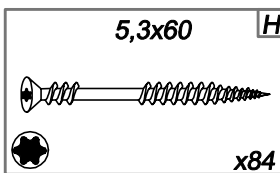
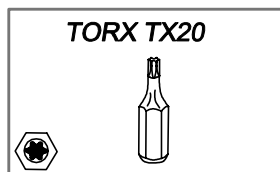
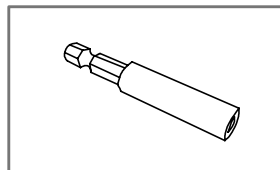
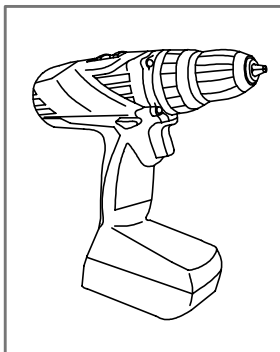
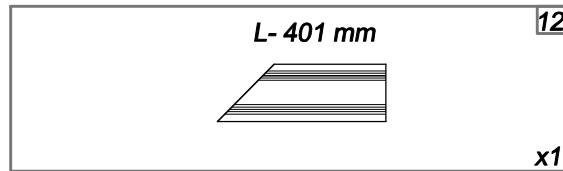
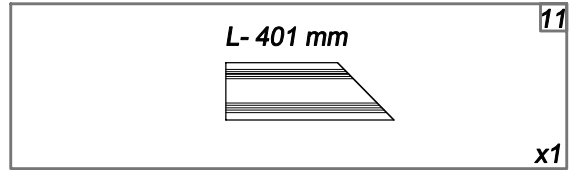
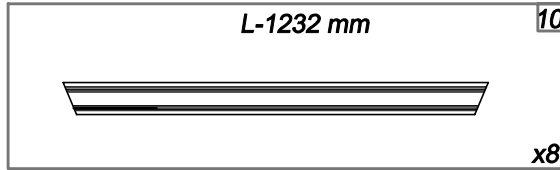
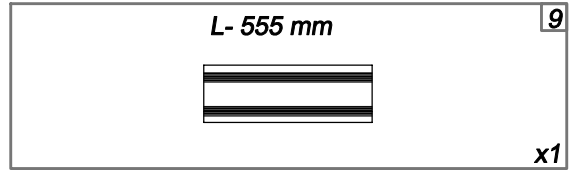
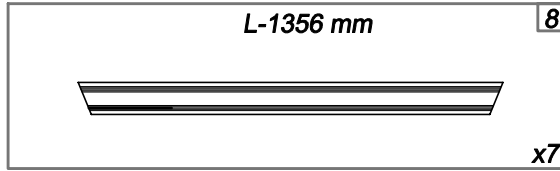
FR Les margelles

IT Terrazza

NL Terras



- PL** Montaż desek tarasowych.
- FR** Montage des margelles.
- GB** Installation of terrace boards.
- IT** Installazione delle tavole da terrazza.
- DE** Installation der Terrassendielen.
- NL** Installatie van terrasplanken.



(PL) Taras

(GB) Terrace

(DE) Terrasse

(FR) Les margelles

(IT) Terrazza

(NL) Terras



(PL) Zamocuj deski tarsowe wedlug rysunku 2.

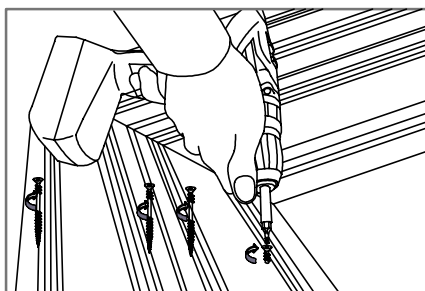
(FR) Monter les margelles suivant le dessin 2.

(GB) Mount terrace boards according to the drawing 2.

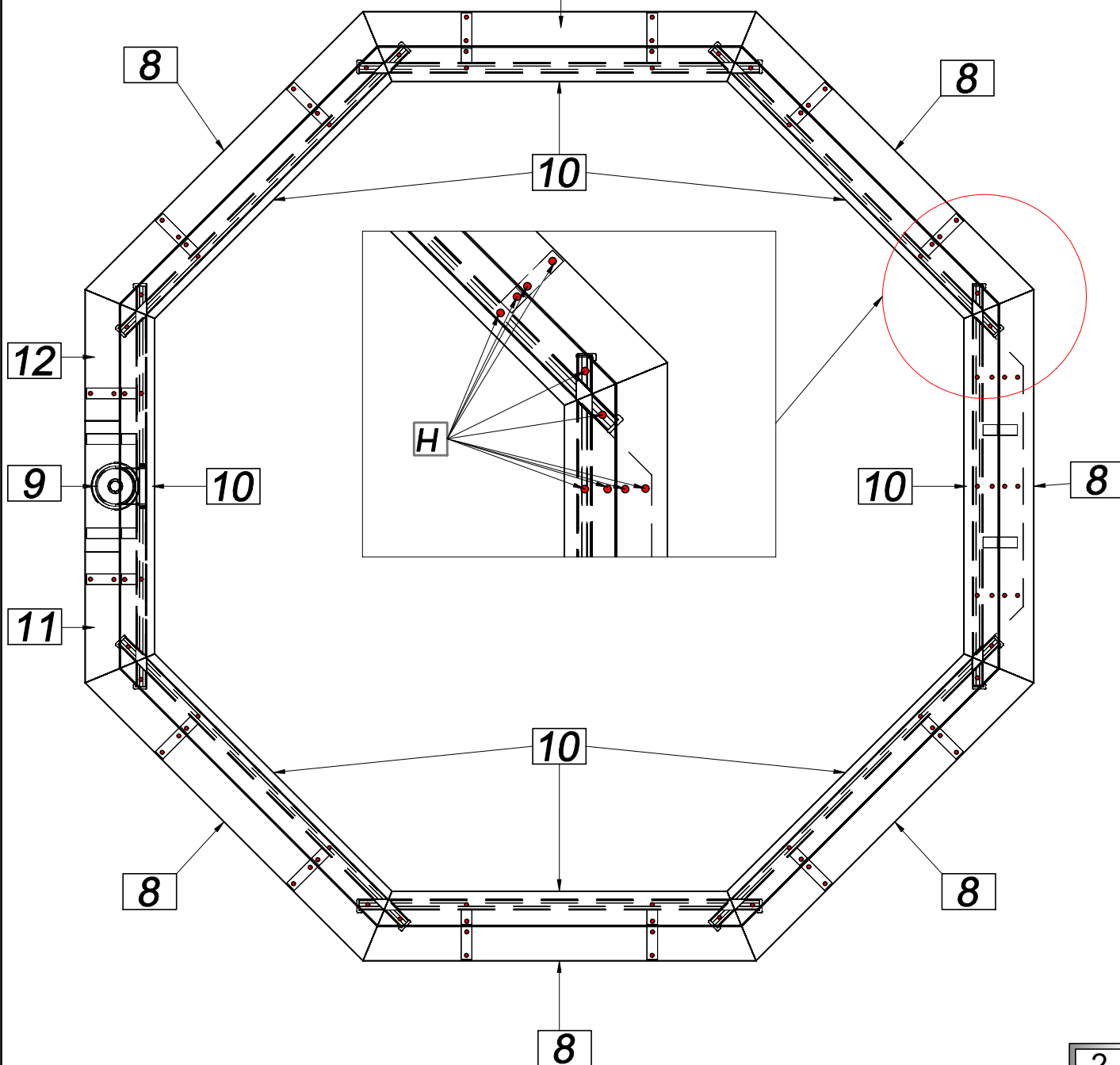
(IT) Montare le tavole da terrazza secondo il disegno 2.

(DE) Montieren Sie die Terrassendielen gemäß der Zeichnung 2.

(NL) Monteer de terrasplanken volgens de tekening 2.



8



(PL) Zapięcie tarasu

(GB) Clip and hook

(DE) Clip und Haken

(FR) Agraffes de margelles

(IT) Chiusura di terrazza

(NL) Clip en haak



(PL) Montaż zapięcia tarasu (A1, A2).

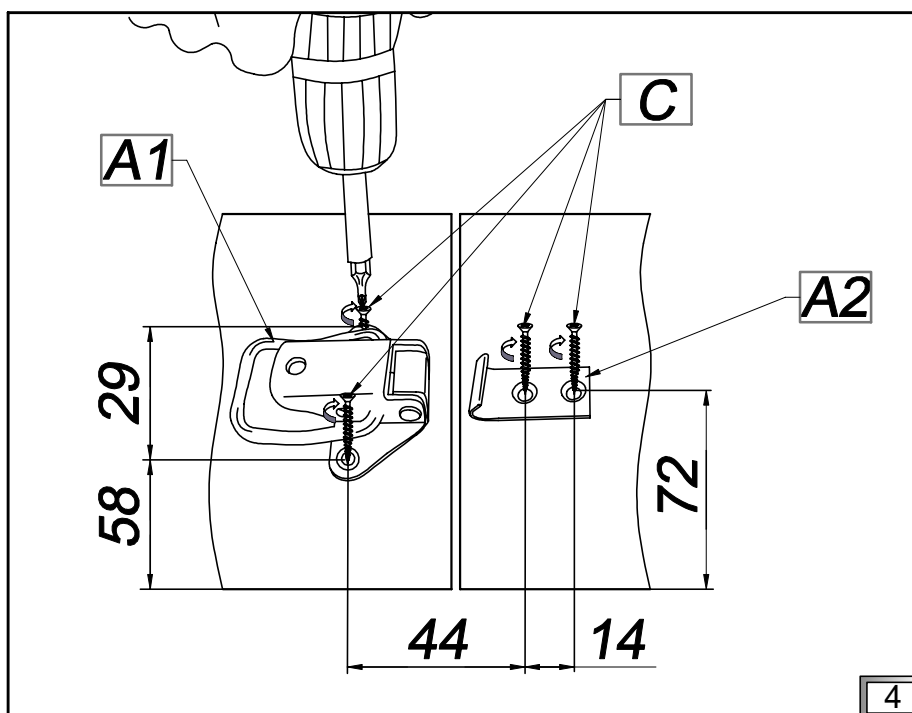
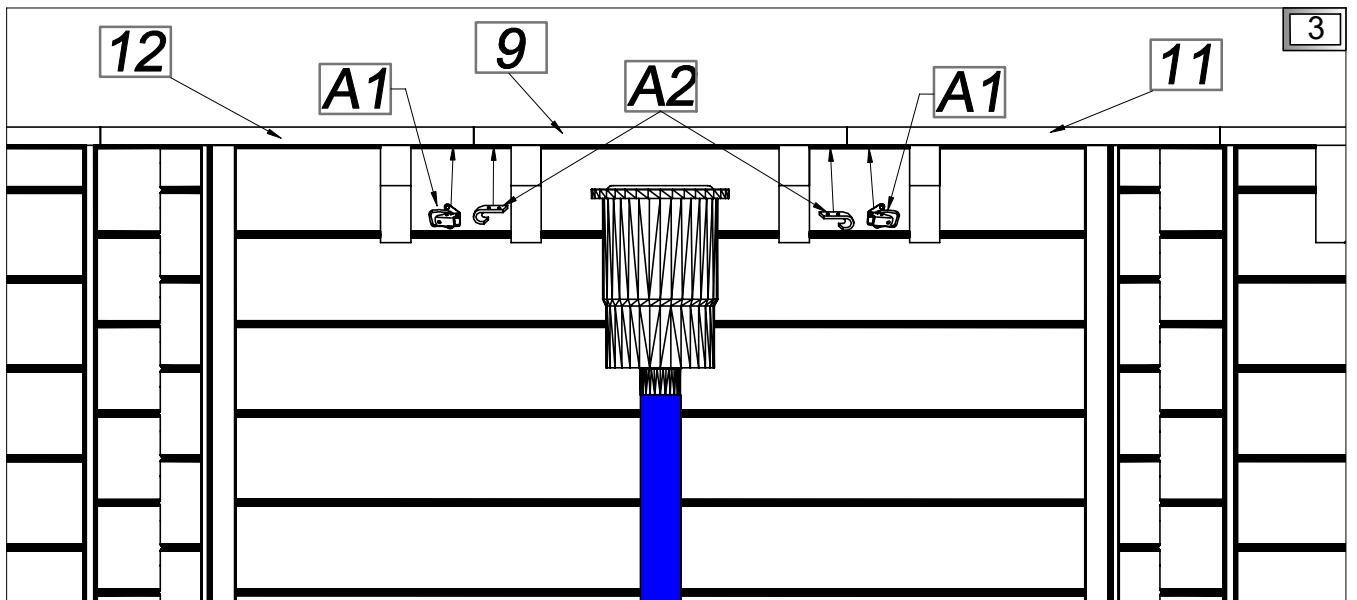
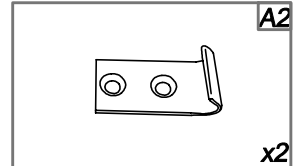
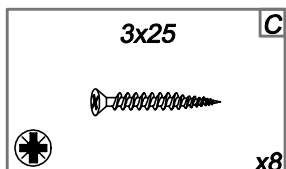
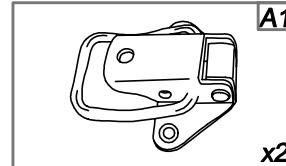
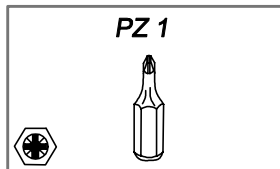
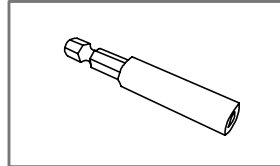
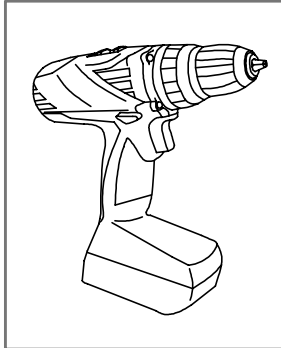
(FR) Montage du clip et crochet de fixation des margelles (A1, A2).

(GB) Mounting clip and hook (A1, A2).

(IT) Montaggio della chiusura di terrazza (A1, A2).

(DE) Montieren Sie den Clip und den Haken (A1, A2).

(NL) Bevestigings - clip en haak (A1, A2).



(PL) Struktura drewniana

(GB) Wooden structure

(DE) Holzstruktur

(FR) La structure bois

(IT) Struttura in legno

(NL) Houten structuur



(PL) Montaż łącznika karo (19) od spodu desek tarasowych.

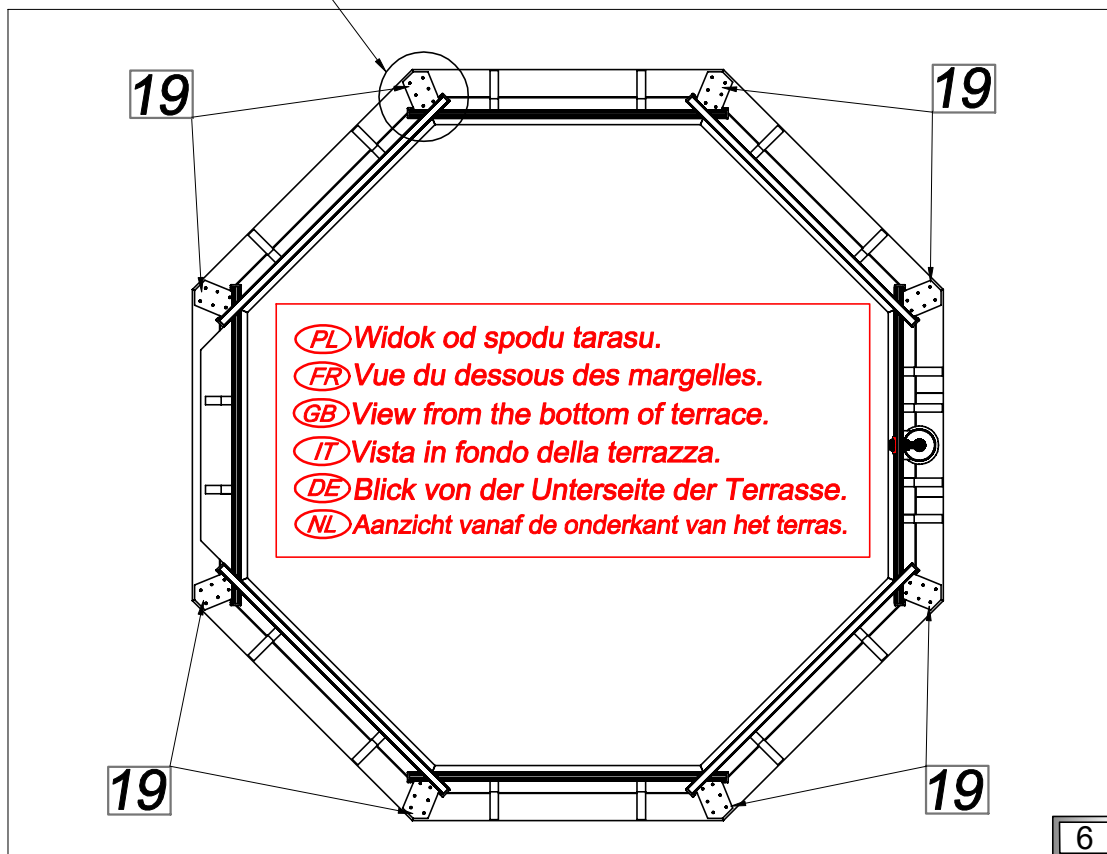
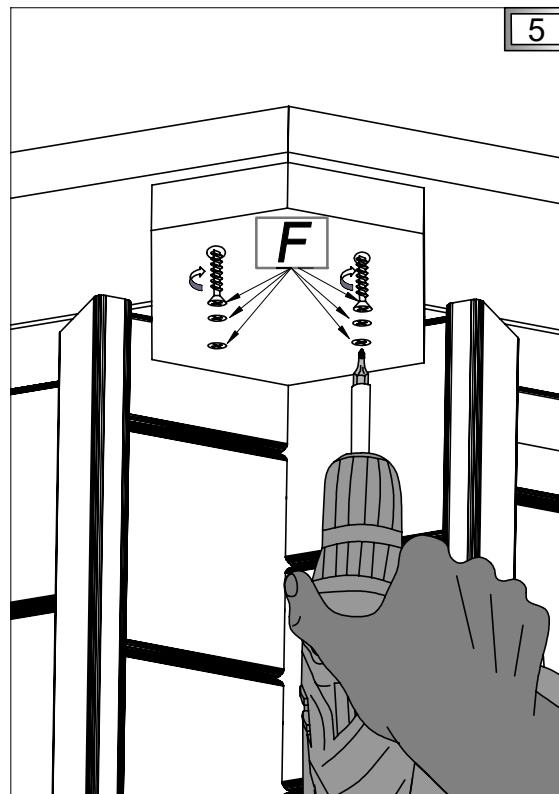
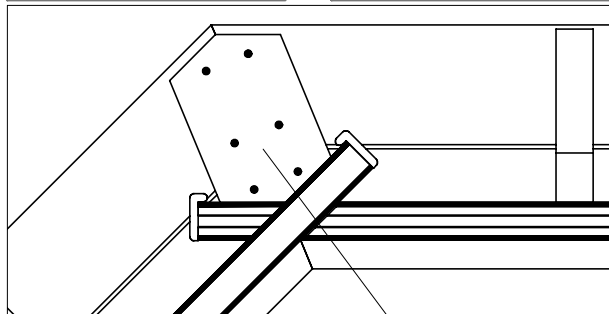
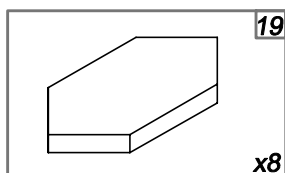
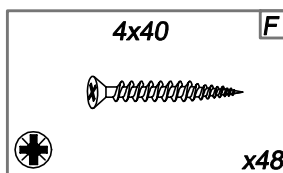
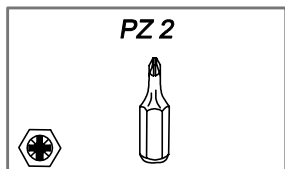
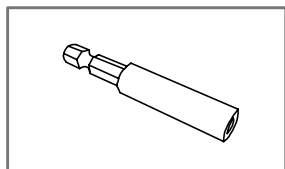
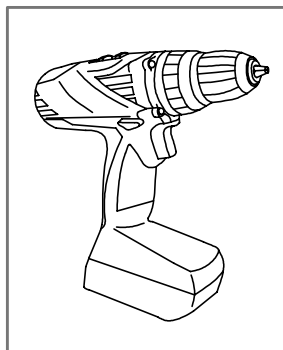
(FR) Montage des jonctions (19) en dessous des margelles.

(GB) Installation of wooden connector (19) to the bottom of terrace boards.

(IT) Montaggio di raccordo (19) dal fondo delle tavole da terrazza.

(DE) Installation der hölzernen Verbindung (19) an die Unterseite der Terrassendielen.

(NL) Installatie van houten connector (19) aan de onderkant van terrasplanken.



(PL) Schody drewniane

(GB) Wooden stairs

(DE) Hölzerne Treppen

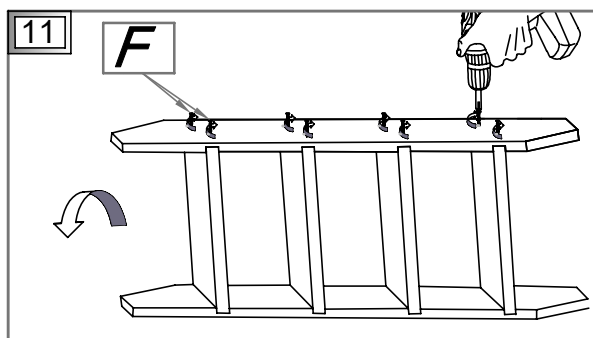
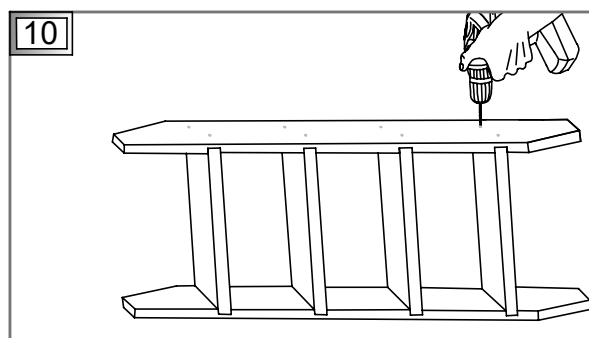
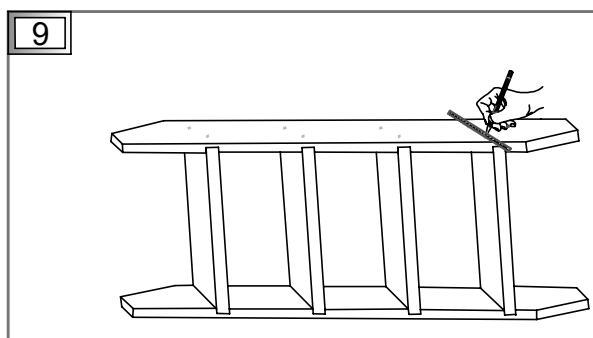
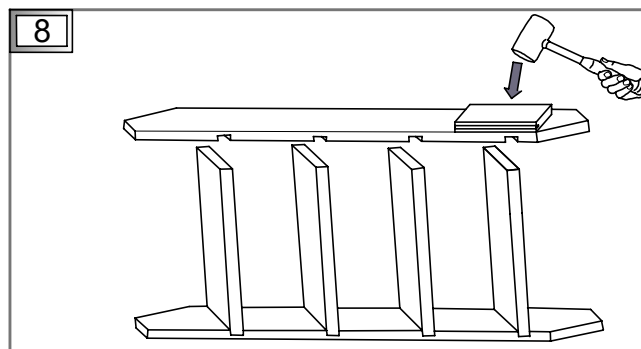
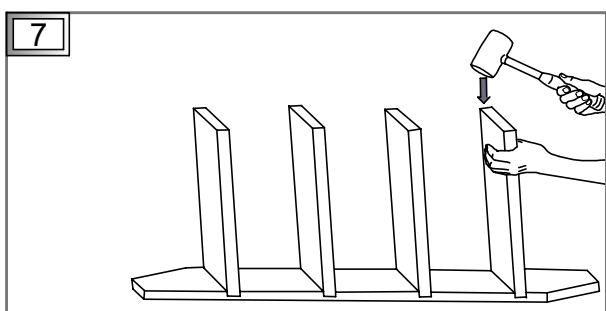
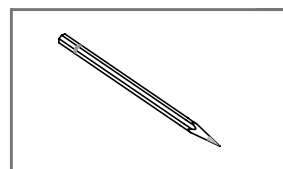
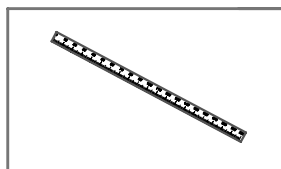
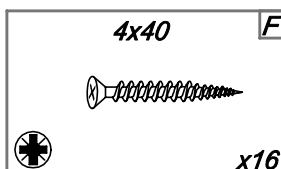
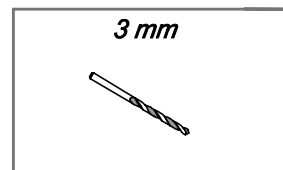
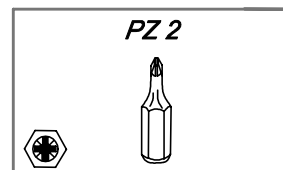
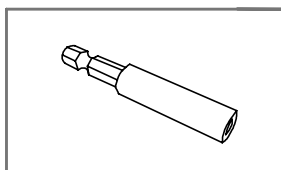
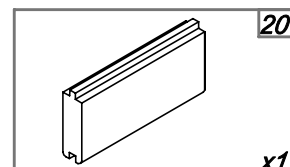
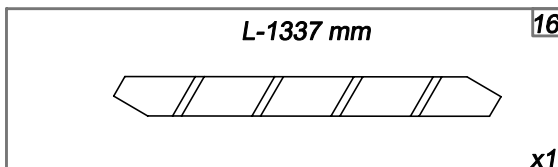
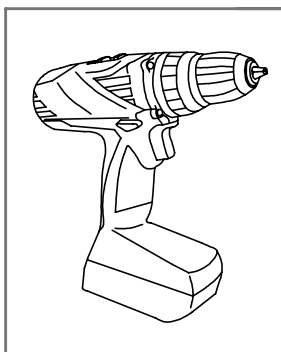
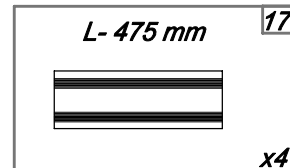
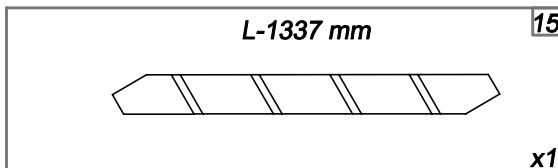
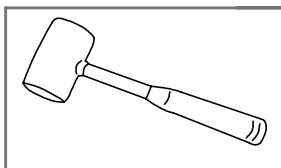
(FR) L'escalier bois

(IT) Scale di legno

(NL) Houten trap



- (PL)** Montaż schodów.
- (FR)** Montage de l'escalier.
- (GB)** Installation of stairs.
- (IT)** Montaggio delle scale.
- (DE)** Installation der Treppen.
- (NL)** Installatie van de trap.



PL Schody drewniane

GB Wooden stairs

DE Hölzerne Treppen

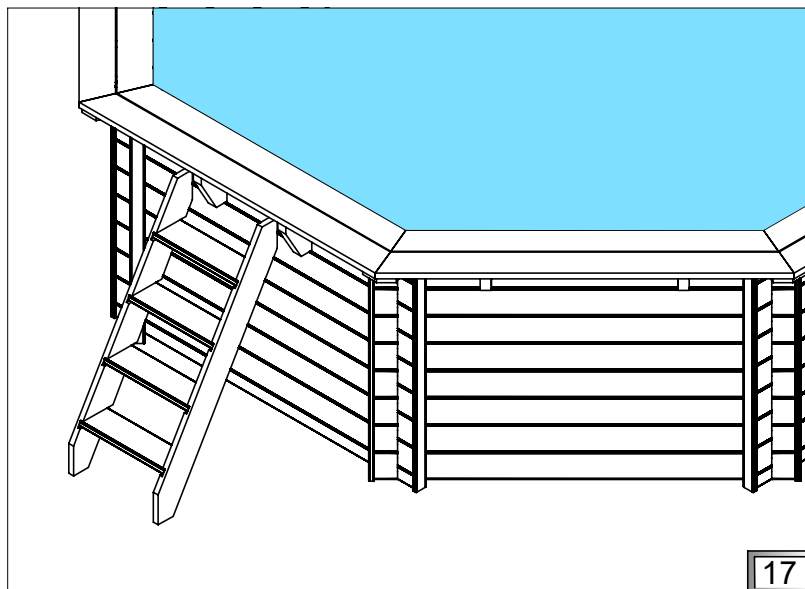
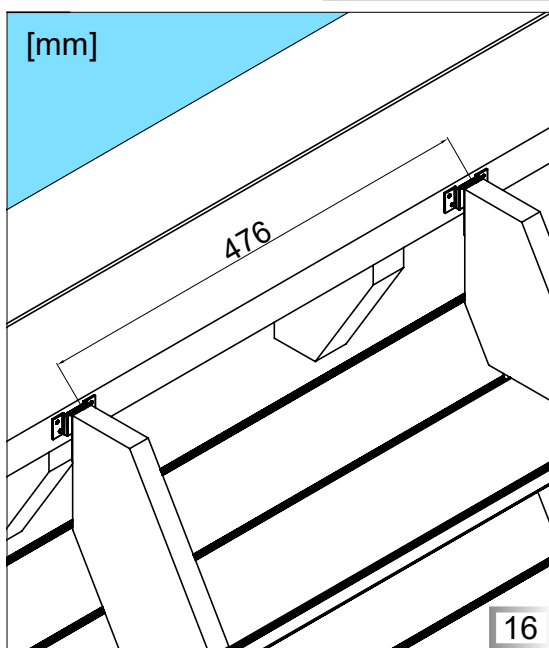
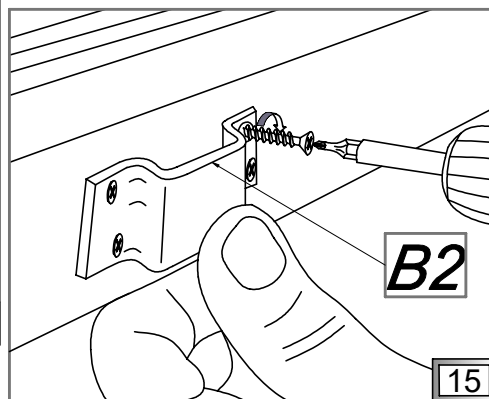
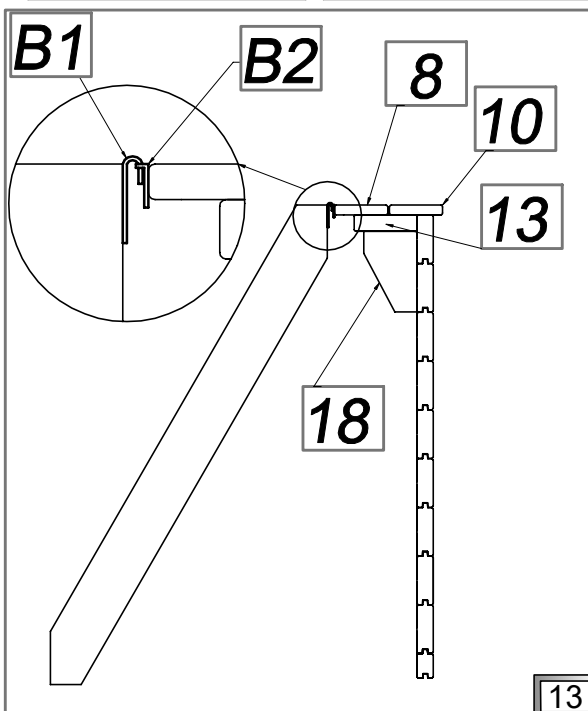
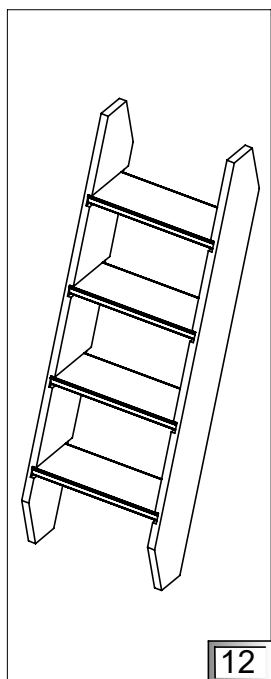
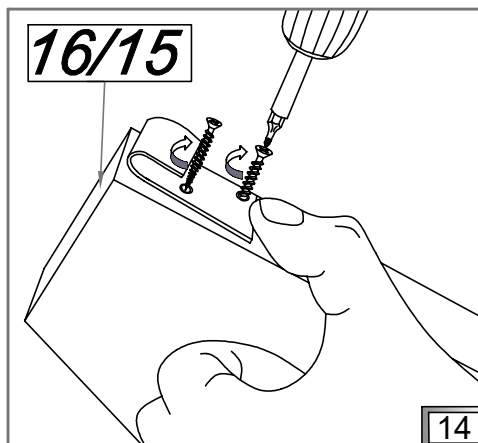
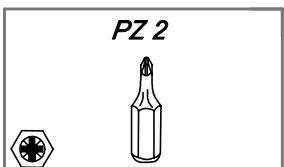
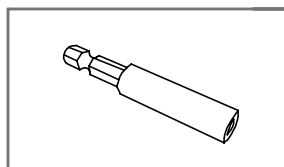
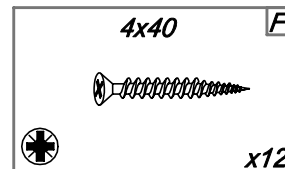
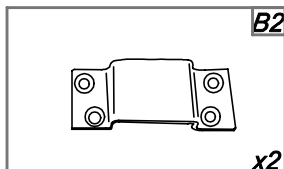
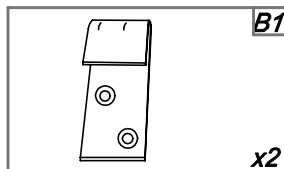
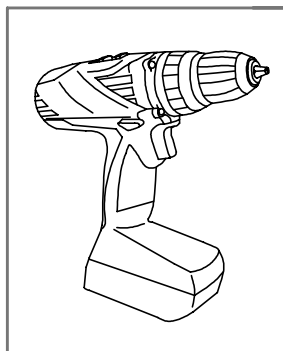
FR L'escalier bois

IT Scale di legno

NL Houten trap



- PL** Montaż zawieszki (B1, B2). Schody mocujemy na ścianie ze wspomnikiem schodów (13).
- FR** Le montage des crochets et des gâches (B1, B2). Fixez l'escalier sur la paroi avec le renfort d'escalier (13).
- GB** Installation of tag and hook kit (B1, B2). Stairs are mounted on the wall with stairs support (13).
- IT** Montaggio del manico (B1, B2). Le scale sono fissate al muro con uno sbalzo di scale (13).
- DE** Installation der Aufhänger und des Haken-Satzes (B1, B2). Treppen sind an der Wand mit Treppen-Unterstützung montiert (13).
- NL** Installatie van het inhaak systeem (B1, B2). Trap wordt aan de bovenrand gemonteerd (13).



PL Drabinka stalowa

GB Stainless steel ladder

DE Leiter aus Edelstahl

FR L'échelle inox

IT Scaletta in acciaio

NL Roestvrijstalen ladder



PL Montaż stalowej drabinki wewnętrznej do desek tarasowych.

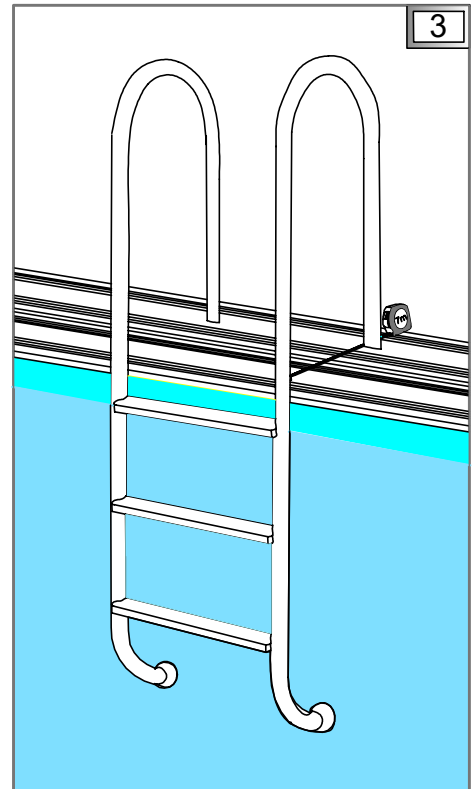
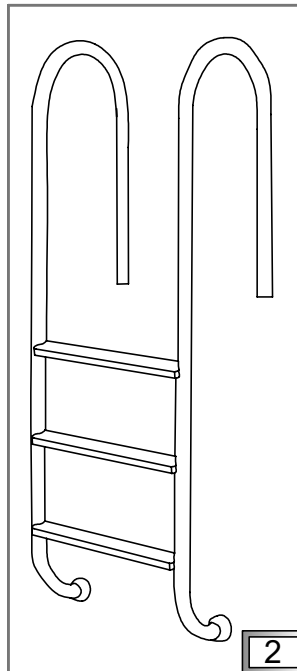
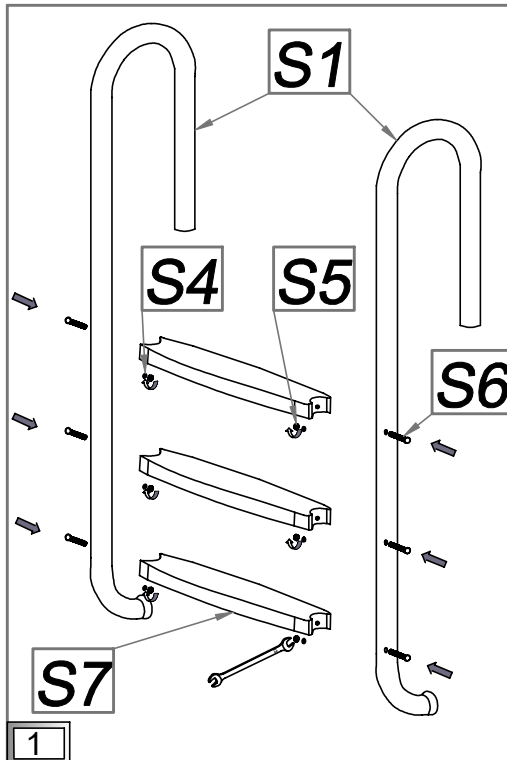
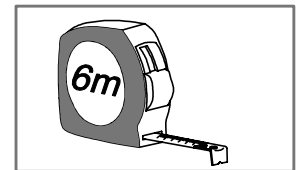
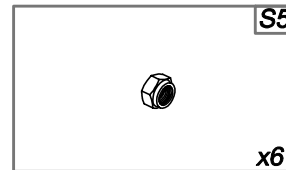
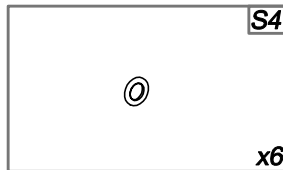
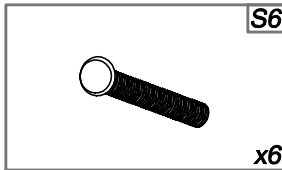
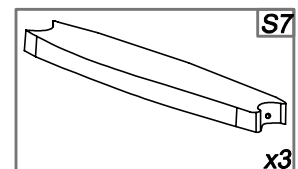
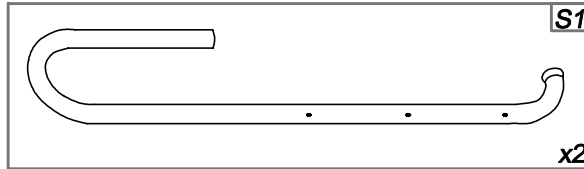
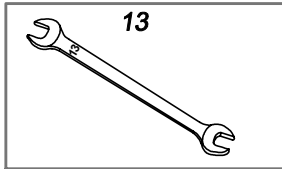
FR Fixation de l'échelle inox aux margelles.

GB Mounting stainless steel ladder to the terrace boards.

IT Montaggio della scala interna alle tavole da terrazza.

DE Montage der Edelstahlleiter an die Terrassendielen.

NL Montage van roestvrijstalen ladder op de terrasplanken.



(PL) Drabinka stalowa

(GB) Stainless steel ladder

(DE) Leiter aus Edelstahl

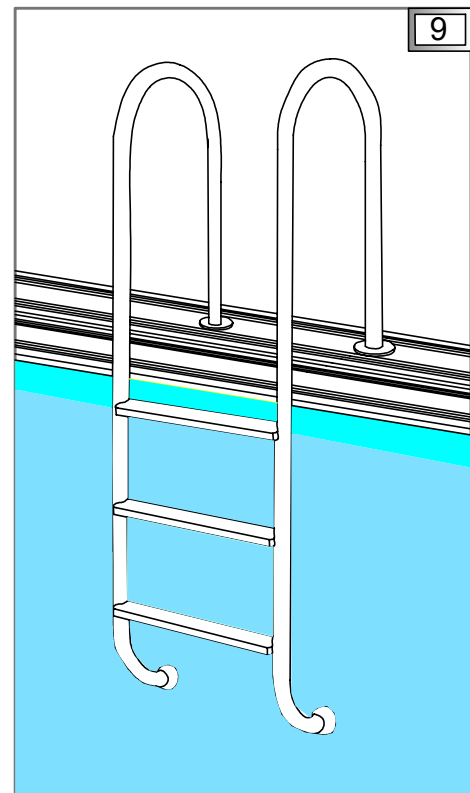
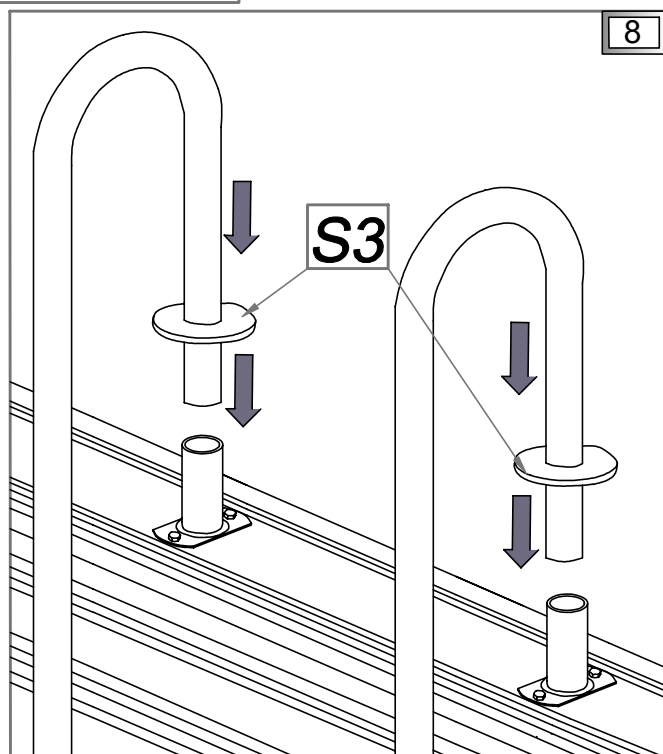
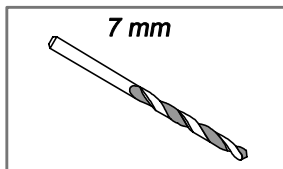
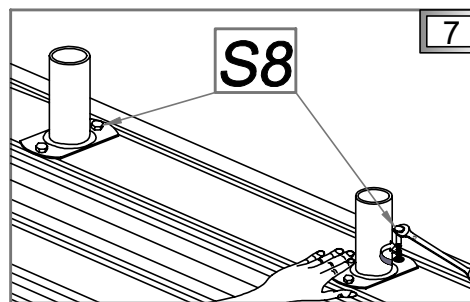
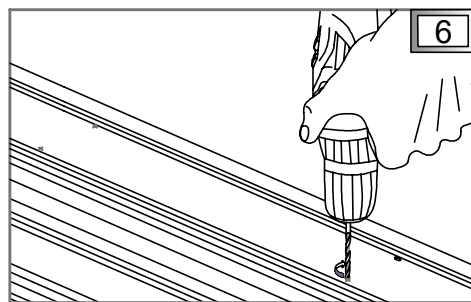
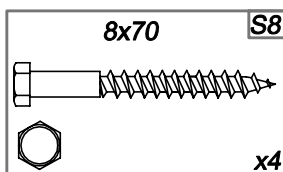
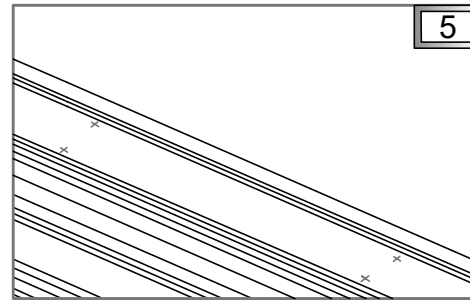
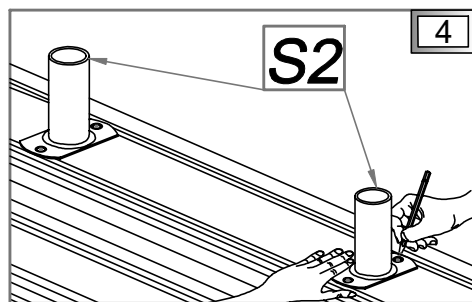
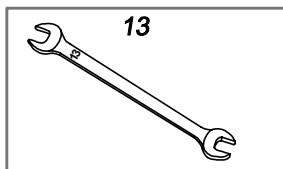
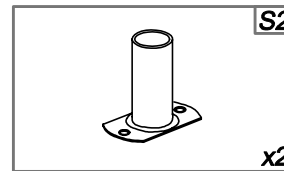
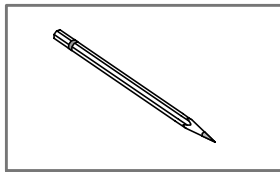
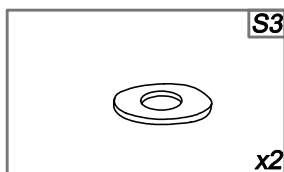
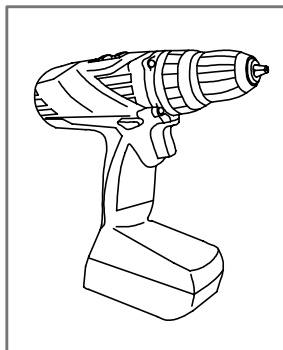
(FR) L'échelle inox

(IT) Scaletta in acciaio

(NL) Roestvrijstalen ladder



- (PL)** Montaż stalowej drabinki wewnętrznej do desek tarasowych.
- (FR)** Fixation de l'échelle inox aux margelles.
- (GB)** Mounting stainless steel ladder to the terrace boards.
- (IT)** Montaggio della scala interna alle tavole da terrazza.
- (DE)** Montage der Edelstahlleiter an die Terrassendielen.
- (NL)** Montage van roestvrijstalen ladder op de terrasplanken.



(PL) Maskownice

(GB) Corners covers

(DE) Eck-Abdeckungen

(FR) Les caches

(IT) Mascherini

(NL) Covers voor de hoeken



(PL) Montaż maskownic (Y) do desek tarasowych.

(FR) Montage des caches (Y) pour les margelles.

(GB) Mounting covers (Y) for corners of terrace boards.

(IT) Montaggio di mascherini (Y) per le tavole da terrazza.

(DE) Montage der Abdeckungen (Y) ans Terrassenholz.

(NL) Montage van covers (Y) voor de hoeken van de terrasplanken.

